

# 6225/6225A

## SOFT SERVE FREEZER

Two Flavor, Countertop, Digital Control  
A: Pump Feed Model



### Simple But Powerful

Classy design that offers quality and simplicity

#### Fast Freeze Down

Patented high efficiency heat exchanger allows fast freeze down with low energy consumption

#### Digital Control and Display

Microprocessor control provides access to system settings and additional functions. Digital interface displays critical info as system status, temperatures, dispense count, errors, etc.

#### Low Mix Indicator

Light turns "ON" at low mix to alert operator to add mix

#### Self Closing Dispensing Valve

Automatically prevents product overflow after dispense

#### Dispense Speed Control

Provides flexibility in dispense rate control for different applications

Ideal for medium capacity outlets to add soft serve ice cream and frozen yogurt. Low profile design keeps operation simple and helps reduce cost of ownership.



#### Standby

Maintains product temperature in both mix hopper and freezing cylinder below 4.4°C (40°F) overnight

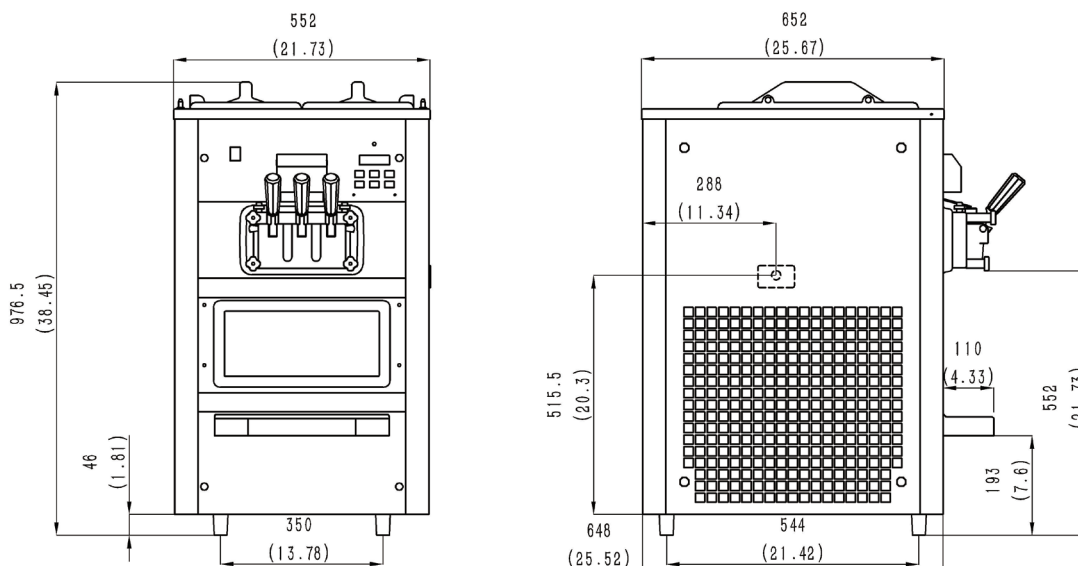
#### Safety Protections

- Low temperature and motor overload shutoffs to protect in the event of cylinder freeze up
- High pressure switch to prevent compressor overheating
- Thermal overload to protect from motor overheating



# 6225 / 6225A

## SOFT SERVE FREEZER



### SPECIFICATIONS

Flavors	2 + Twist
Freezing Cylinders	2 x 1.7L / 1.8qt
Mix Hoppers	2 x 12L (8L for A)
Output Capacity (80 grams)	350 serves/hr
Clearance Requirements	152mm/6" on left

### Weight

	Kg/lb (Gravity)	Kg/lb (Pump)
Net	155 / 342	165 / 364
Shipping	170 / 375	180 / 397

Volume 0.52 CBM / 18.48 CBF

### Dimensions

	Net (mm/in)	Shipping (mm/in)
Width	552 / 21.7	610 / 24.0
Depth	652 / 25.7	780 / 30.7
Height	977 / 38.4	1100 / 43.3

### Electrical

	Power (kW)	Total Amps (A)	Fuse (A)
220-240/50/1	2.9	15	25
208-230/60/1	3.2	16	25

### FEATURES

Control Systems	Single, Digital
Refrigerated Hoppers	✓
Hopper Agitator	✓
Temperature Display	✓
Standby Mode	✓
Auto Closing Dispensing Valves	✓
Dispensing Speed Control	✓
Low Mix Indicator Light	✓
Low Mix Indicator Alarm	✓
Low Temperature Protection	✓
Motor Amperage Protection	✓
High Pressure Protection	✓
Thermal Overload Protection	✓

### AVAILABLE OPTIONS

Water Cooled	✓
Top Air Discharge Chute	✓

• Above specifications are subject to change without notice