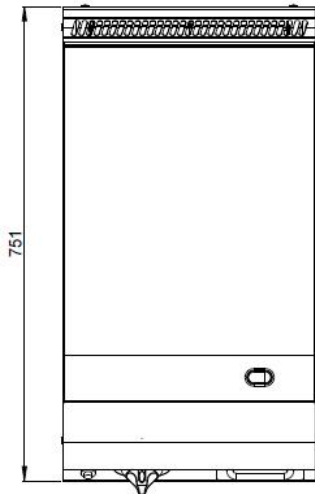
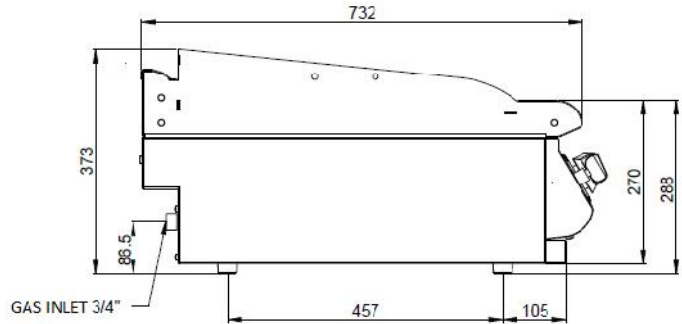
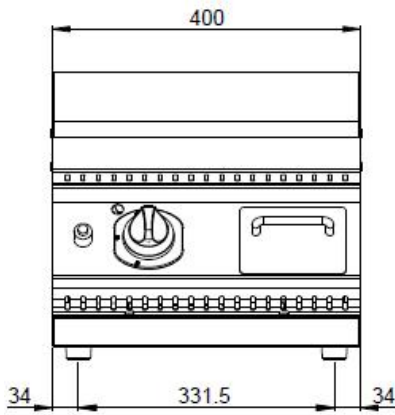


7IG10S ½ MODULE GAS STAND TOP GRILL



GENERAL FEATURES

- Fry Top
- Perfect 700 line, 1/2 module, countertop,
- Smooth surface ,
- Body manufactured of 18/8 Cr-Ni s/s stain finished sheet and inner parts of alumunized steel,
- Oil collecting channel and discharge in front of the frying surface,
- Collecting of oil on the surface in a easy to clean s/s drawer,
- Upstands at 3 ends in order to prevent fat from splashing around during frying process,
- Gas taps with pilot flame , minimum- maximum flame and thermocouple; gas valve stops the supply of gas in case of flame turns off,
- Gas burner of stainless pipe suitable for operation with all types of gases,
- Automatic ignition button,
- LPG or natural gas (G31, G25, G25.1, G27, G2.350) operated and conversion without any modification,
- Plastic feet.

TECHNICAL SPACIFICATION

Total Power	6	kW
Consumption	5160	Kcal/h
Cooking Area	394x489.5	mm
Gas Inlet	R3/4	Inch
Palett+Box Measures	422x772x577	WxDxH