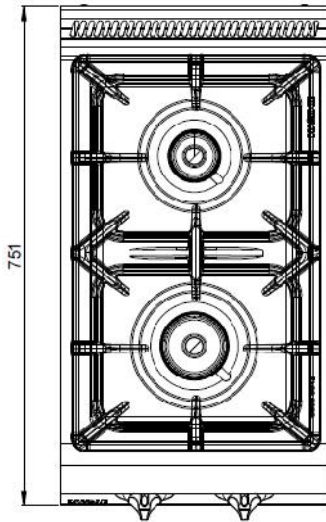
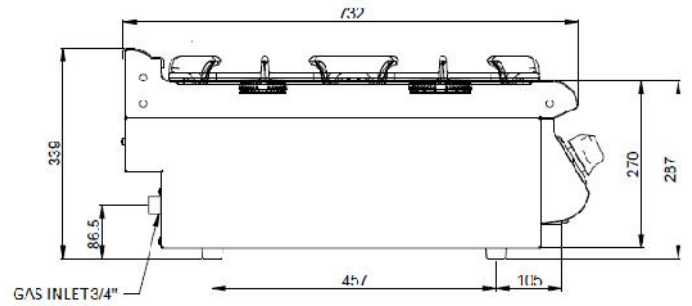
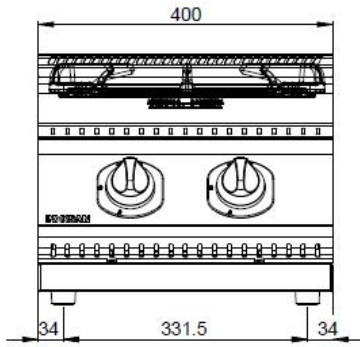


7KG10S ½ MODULE GAS STAND TOP KUZİNE RANGE



GENERAL FEATURES

- Cooker
- Perfect 700 line, 1/2 module, countertop
- 2 open burners
- External panels of 18/8 Cr-Ni s/s satin- finished sheet,
- Enamelled heavy duty type of cast iron tops,
- All of the gas control devices in conformity with international standards,
- Either LPG or natural gas (G31, G25, G25.1, G27, G2.350) operated and conversion without modification,
- Gas taps with the pilot flame, minimum-maximum flame and in case the flame turns off, it stops the supply of gas automatically,
- Gas burners having the same operation capacity for all gas types, each burner with pilot group and thermocouple, and stainless steel oil collecting trays under the burners,
- On cupboard (with or without doors) suitable for multi-pupose use or on cantilever for island type installations,
- Plastic feet.

TECHNICAL SPCIFICATION

Total Power	9,5	kW
Boiler	Ø75 + Ø100	mm
Boiler	3,5 + 6	Ad/kW
Consumption	8170	Kcal/h
Gas Inlet	R3/4	Inch
Palett +Box Measures	422x772x577	WxDxH