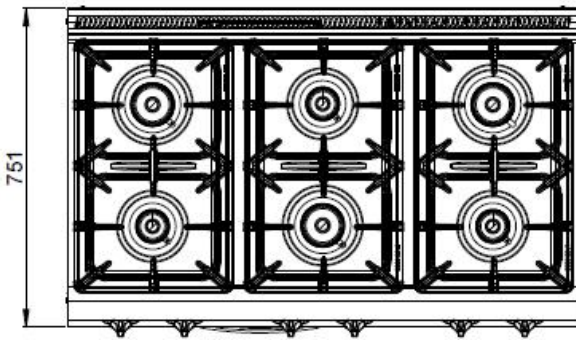
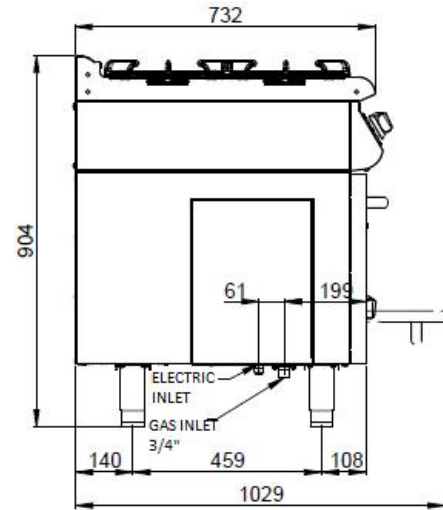
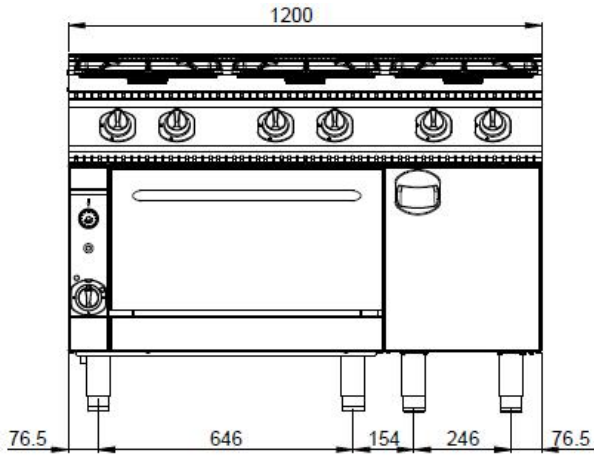


7KG33

1.5 MODULE GAS OVEN/CABINET RANGE



GENERAL FEATURES

- Cooker, with 1M oven and 1/2M cabinet,
- Perfect 700 line, 1.5 module,
- 6 open burners
- External panels of 18/8 Cr-Ni s/s satin- finished sheet ,
- Enamelled heavy duty type of cast iron tops,
- All of the gas control devices in conformity with international standards,
- Either LPG or natural gas (G31, G25, G25.1, G27, G2.350) operated and conversion without modification,
- Gas taps with the pilot flame, minimum-maximum flame and in case the flame turns off, it stops the supply of gas automatically,
- Gas burners having the same operation capacity for all gas types, each burner with pilot group and thermocouple, and stainless steel oil collecting trays under the burners,
- Frame manufactured of aluminized sheet with a thickness of 1,5 mm,
- Adjustable feet of stainless pipe,
- The bottom unit is comprised of 1M oven and 1/2 M cupboard,
- Double walled oven door, s/s, and insulated,
- Oven gas valve stops gas supply in case of flame turns off, pilot flame and thermostatical control of the inner heat at 7 different steps,
- Oven burner of stainless pipe and suitable for operating with all types of gas,
- Automatic ignition button,
- Insulated oven chamber for minimizing heat loss,
- Oven capacity of 1 tray of GN 2/1 dimensions,
- Inside of AISI 430 BA sheet and with 3 tray slides,
- It has turbo cooking property,
- AISI 430 BA bottom sheet specially designed for homogeneous heat distribution

TECHNICAL SPECIFICATION

Total Power	37	kW
Range Power	28,5	kW
Boiler (Range)	Ø75 / Ø100	mm
Boiler (Range)	3*3,5 / 3*6	Ad/kW
Boiler (Oven)	Ø50	mm
Boiler (Oven)	1 / 8,5	Ad/kW
Consumption	31820	Kcal/h
Gas Inlet	R3/4	Inch
Palett+Box Measures	1222x772x1006	WxDxH