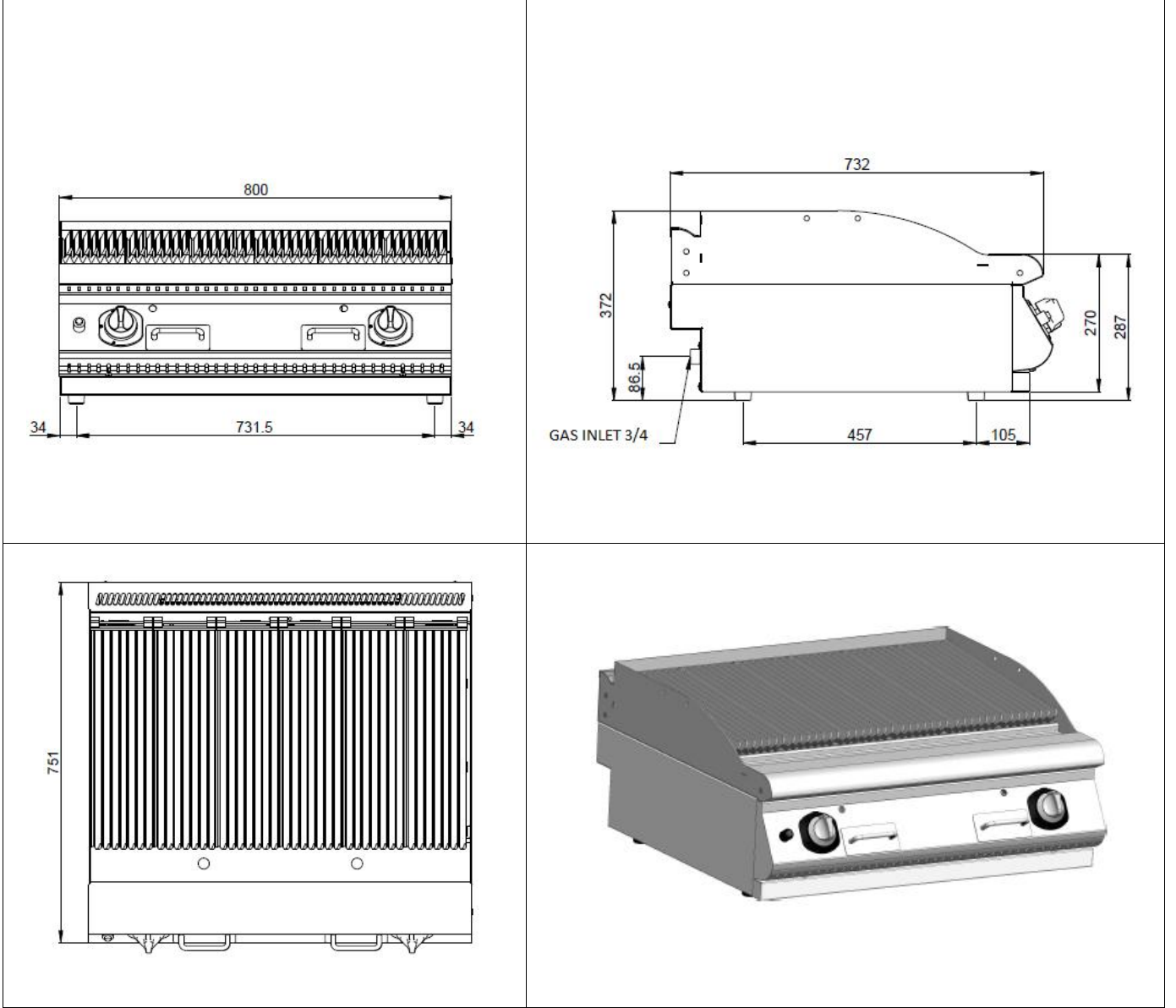


7LG20S 1 MODULE GAS STAND TOP CHARCOAL GRILL



GENERAL FEATURES

- Charcoal grill
- Perfect 700 line, 1 module, countertop,
- Casting fry grill,
- Body manufactured of 18/8 Cr-Ni s/s satin finished sheet and inner parts of alumunized steel ,
- Oil collecting channel and discharge in front of the frying surface ,
- Collecting of oil on the surface in an easy to clean s/s drawer,
- Surface of frying can be control with two different control system,
- Upstands at 3 ends in order to prevent fat from splashing around during frying process ,
- Gas taps with the pilot flame, minimum-maximum flame and in case the flame turns off, it stops the supply of gas automatically ,
- Pipe type of gas burner suitable for operation with all types of gas,
- Automatic ignition button,
- Either LPG or natural gas (G31, G25, G25.1, G27, G2.350) operated and conversion without modification,
- Plastic feet.

Total Power	10	kW
Consumption	8600	Kcal/h
Cooking Area	795x420	mm
Gas Inlet	R3/4	Inch
Palett+Box Ölçüleri	422x772x577	WxDxH

TECHNICAL SPECIFICATION

PAGE 2-2	1 MODULE GAS STAND TOP CHARCOAL GRILL	PR- 7LG20S	Revision No : 0
		İNOKSAN A.Ş.	Revision Date : 08.06.2018
Organize Sanayi Bölgesi Ormanlar CD. No:5 16159 Nilüfer/BURSA inoksan@inoksan.com.tr T. +90 224 294 74 74 - F. +90 224 243 61 23			