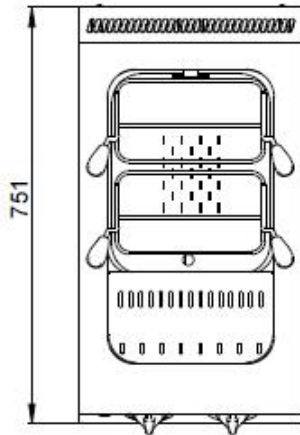
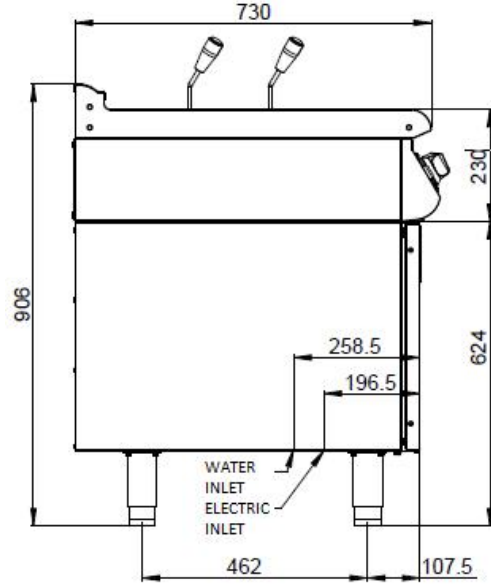
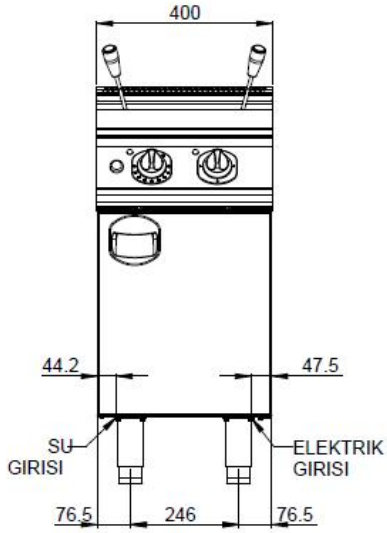


7ME10

½ MODULE ELECTRIC CABINET PASTA COOKER



GENERAL FEATURES

- Pasta cooker
- Perfect 700 line, 1/2 module, with cabinet,
- Single well, water capacity: 30 Lt.
- Manufactured of 18/8 Cr-Ni s/s satin finished sheet,
- Temperature control between 0- 110°C by multi-step thermostat,
- Main switch for supplying or stopping of power,
- All of the electric control boards and devices in conformity with the international standards ,
- Underneath 3/4" ball valve for discharging water from the well,
- Water filling tap controlled from the front panel,
- Overflow discharging to prevent overflowing of water in the well,
- It is manufactured with cabinet as standart. Cabinet is manufactured from stainless stell. Cabinet doors are with plastic holder,
- Either on a cupboard for multi-purpose use or on a cantilever for installation of island type,
- Adjustable feet of stainless stell pipe, carrier sheet is 2 mm aluminized sheet,

TECHNICAL SPECIFICATION

Total Power	6	kW
Electric Inlet	380/400	V
Cablo Cut	5x1,5	mm ²
Water capacity	30	Lt
Palett+Box Measures	422x772x1006	WxDxH