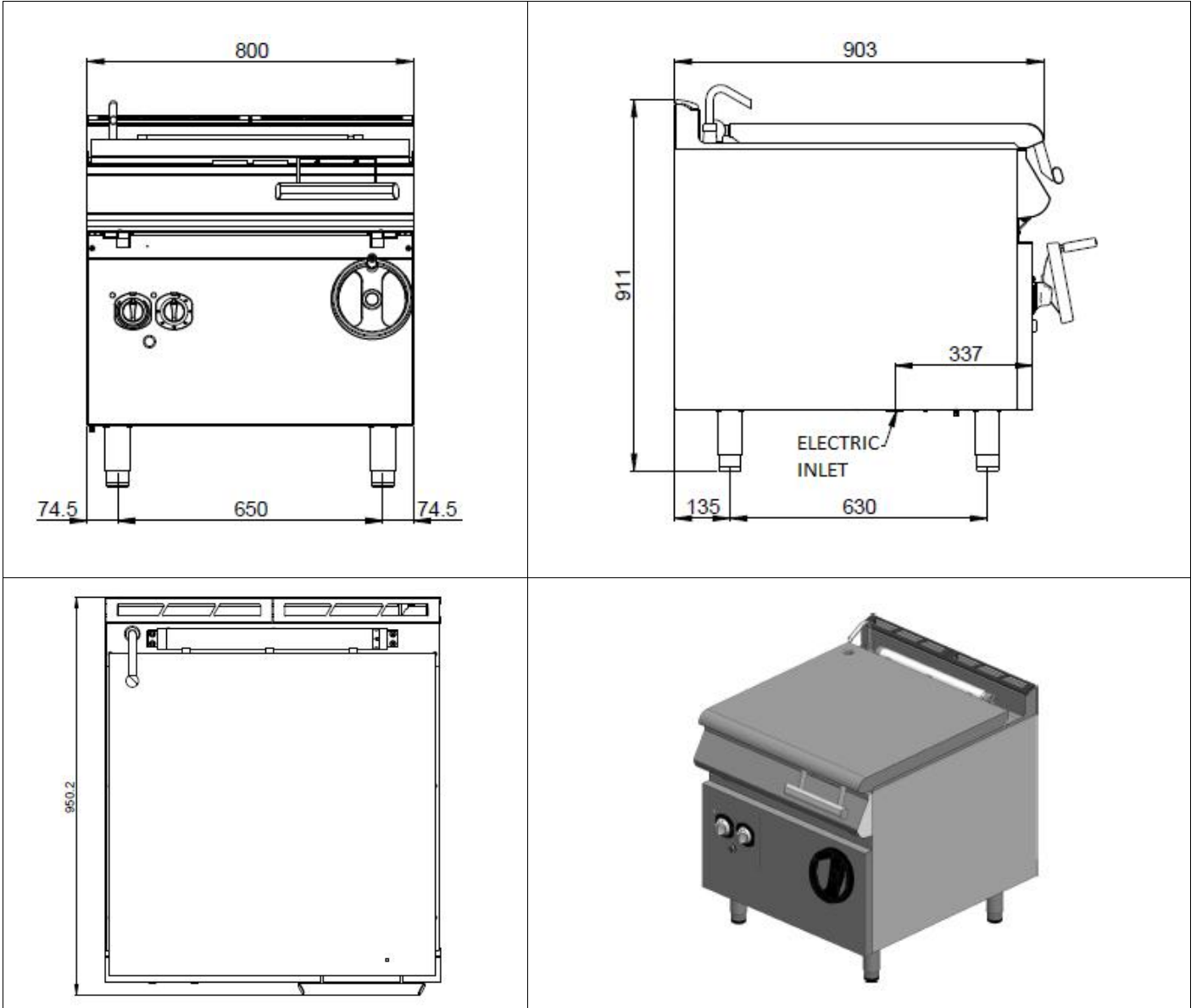


9DE08 ELECTRIC TILTING BRATT PAN



GENERAL FEATURES

- Tilting bratt pan
- Perfect 900 line, 1module
- Body manufactured of 18/8 Cr-Ni satin- finished s/s sheet and s/s frame with a thickness of 2mm,
- Double walled s/s cover and specially designed for reinforcement,
- Homogeneous heat distribution and maintaining of heat for a long time by welding a second metal bottom to the pan,
- Thanks to the special tilting mechanism, tilting of the pan in an easy way and the tilting angle of 85°,
- Tap for filling or cleaning the pan,
- Temperature adjustment between 50-300 °C by multi-step thermostat,
- Limit thermostat stops power supply automatically in case of a failure,
- Switch mechanism stops the supply of power while the pan being tilted,
- All of the electric control board and devices in conformity with the international standards,
- Adjustable feet of stainless pipe.

TECHNICAL SPECIFICATION

Total Power	12	kW
Electric Inlet	380/400	V
Device Capacity	80	Lt
Cooking Surface Depth	605	mm
Cooking Surface Width	710	mm
Cooking Surface Height	200	mm
Cablo Cut	5x2,5	mm ²
Palett+Box Measures	822x937x1006	WxDxH