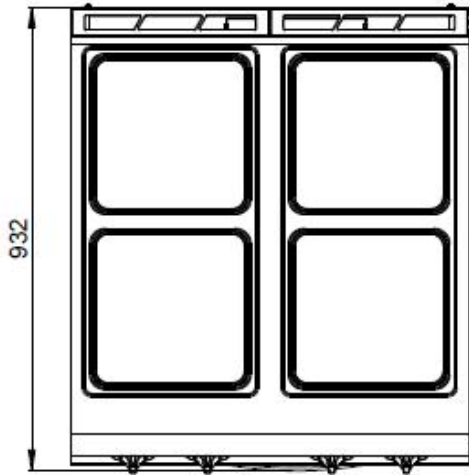
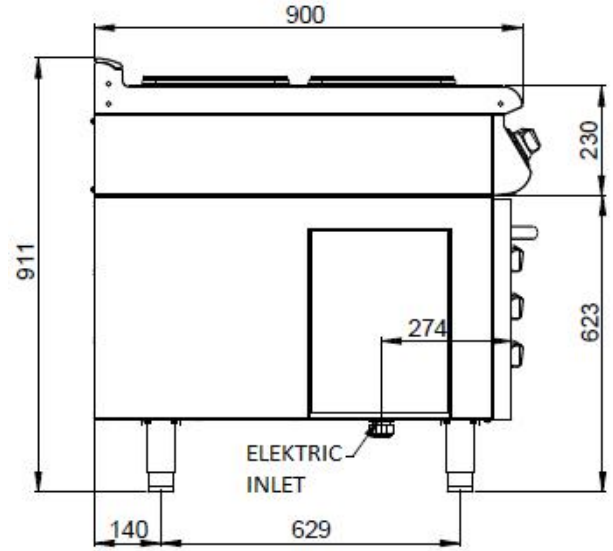
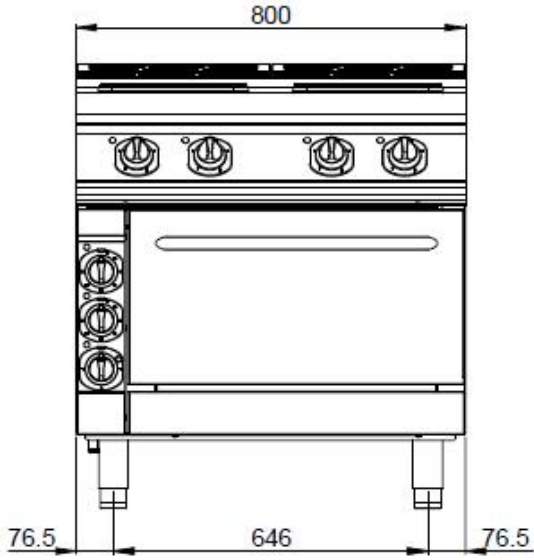


9KE23

1 MODUL ELECTRIC OVEN COOKER



GENERAL FEATURES

- Cooker with oven
- Perfect 900 line, 1 module
- The surface coating of 18/8 Cr-Ni s/s stainless steel
- All the sheets that are not visible from the outside of the device are alumina sheet
- All of the electric control and devices including heaters in conformity with the international standards,
- IR heaters can be operated separately at different positions in min / max range
- Chassis 1.5 mm alumina sheet, Adjustable stainless steel pipe
- All electrical control and control equipment comply with international standards
- Oven door is made of double-skinned stainless steel and insulated
- the temperature control of oven is between 50-300C' , possibility to control bottom and top heaters separately.
- The around of oven insulated to reduce heat losses ,
- the oven can be equipped with a GN 2/1 tray , a tray cooking capacity ,
- Inside of AISI 430 BA sheet and with 3 tray slides,
- It has turbo cooking property,
- AISI 430 BA bottom sheet specially designed for homogeneous heat distribution

TECHNICAL SPECIFICATION

Total Power	22	kW
Cookr Power	16	kW
Pleyt	2 / 300x300	Ad / mm
Pleyt	4	kW
Oven Power	6	kW
Electric Inlet	380/400	V
Cablo Cut	4x6	mm ²
Palett+Box Measures	822x937x1006	WxDxH