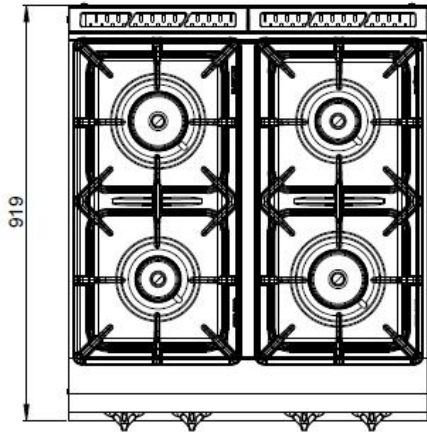
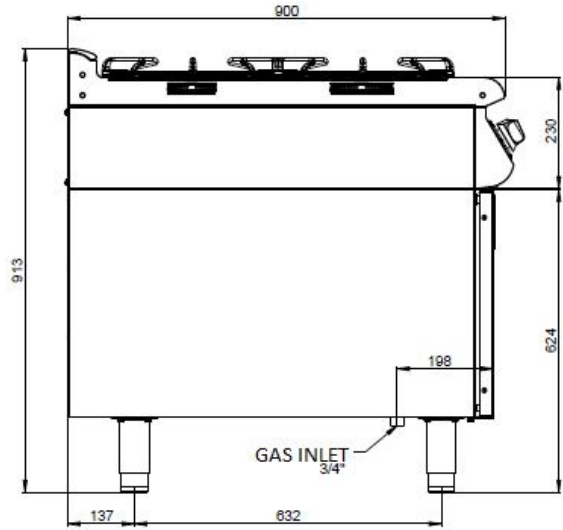
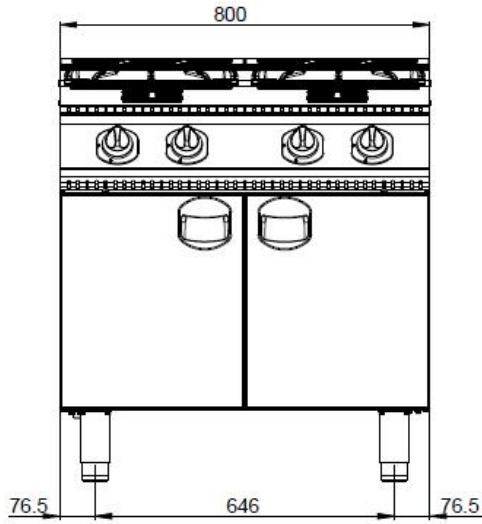


9KG20 1 MODUL GAZLI DOLAPLI KUZİNE



GENEL ÖZELLİKLER

- Cooker
- Perfect 900 line, 1 module, with cabinet
- External panels of 18/8 Cr-Ni s/s satin- finished sheet,
- Enamelled heavy duty type of cast iron tops,
- All of the gas control devices in conformity with international standards,
- Either LPG or natural gas (G31, G25, G25.1, G27, G2.350) operated and conversion without modification,
- Gas taps with the pilot flame, minimum-maximum flame and in case the flame turns off, it stops the supply of gas automatically,
- Gas burners having the same operation capacity for all gas types, each burner with pilot group and thermocouple, and stainless stell oil collecting trays under the burners,
- It is manufactured with cabinet as standart. Cabinet is manufactured from stainless stell. Cabinet doors are with plastic holder,
- On cupboard (with or without doors) suitable for multi-pupose use or on cantilever for island type installations
- Adjustable feet of stainless stell pipe , carrier sheet is 2 mm aluminized sheet.

TEKNİK ÖZELLİKLER

Total Peower	30	kW
Boiler	Ø100 / Ø130	mm
Boiler	2*6 / 2*9	Ad/kW
Consumption	25800	Kcal/h
Gas Inlet	R3/4	Inch
Palett+Box Measures	822x937x1006	WxDxH