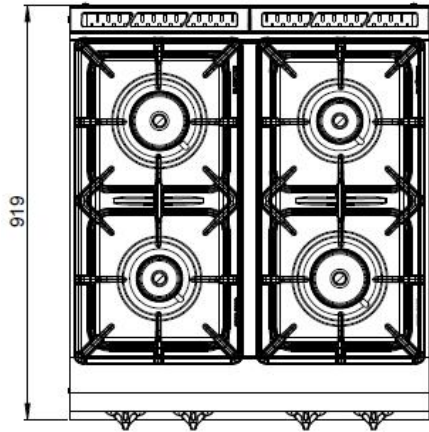
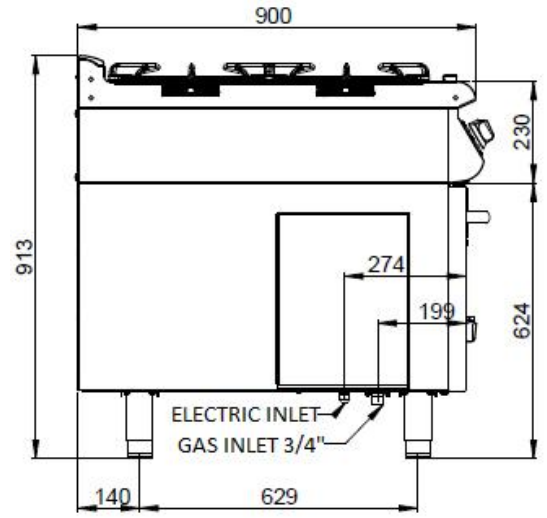
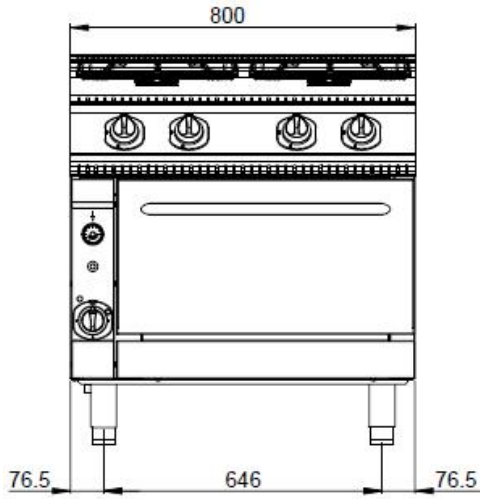


# İNOKSAN

## 9KG23

### 1 MODUL GAS OVEN COOKER



## GENERAL FEATURES

- Cooker
- Perfect 900 line, 1 module,
- External panels of 18/8 Cr-Ni s/s satin- finished sheet
- Enamelled heavy duty type of cast iron tops,
- All of the gas control devices in conformity with international standards,
- Either LPG or natural gas (G31, G25, G25.1, G27, G2.350) operated and conversion without modification,
- Gas taps with the pilot flame, minimum-maximum flame and in case the flame turns off, it stops the supply of gas automatically,
- Gas burners having the same operation capacity for all gas types, each burner with pilot group and thermocouple, and stainless steel oil collecting trays under the burners,
- Frame manufactured of aluminized sheet with a thickness of 1,5 mm,
- Adjustable feet of stainless pipe,
- Double walled oven door, s/s, and insulated,
- All of the gas control devices in conformity with the international standards,
- Oven gas valve stops gas supply in case of flame turns off, pilot flame and thermostatical control of the inner heat at 7 different steps,
- Oven burner of stainless pipe and suitable for operating with all types of gas,
- Automatic ignition button,
- Insulated oven chamber for minimizing heat loss,
- Oven capacity of 1 tray of GN 2/1 dimensions,
- Inside of AISI 430 BA sheet and with 3 tray slides,
- It has turbo cooking property,
- AISI 430 BA bottom sheet specially designed for homogeneous heat distribution

## TECHNICAL SPECIFICATION

Total Power	38,5	kW
Cooker Power	30	kW
Boiler (Cooker)	Ø100 / Ø130	mm
Boiler (Cooker)	2*6 / 2*9	Ad/kW
Oven Power	Ø50	mm
Boiler (Oven)	1 / 8,5	Ad/kW
Consumption	33110	Kcal/h
Gas Inlet	R3/4	Inch
Palett+Box Measures	822x937x1006	WxDxH