

BREMA BIN240PE

ICE STORAGE BIN

Polyethylene moulded storage bin which sits underneath a range of Brema modular ice machine heads.

The BIN240PE stores 240kg of ice and has an insulated polyethylene moulded tank to ensure long-lasting, quality ice.

When coupled with an ice cube or ice flake head, the BIN240PE generously stores ice to meet peak demand times for a range of applications.

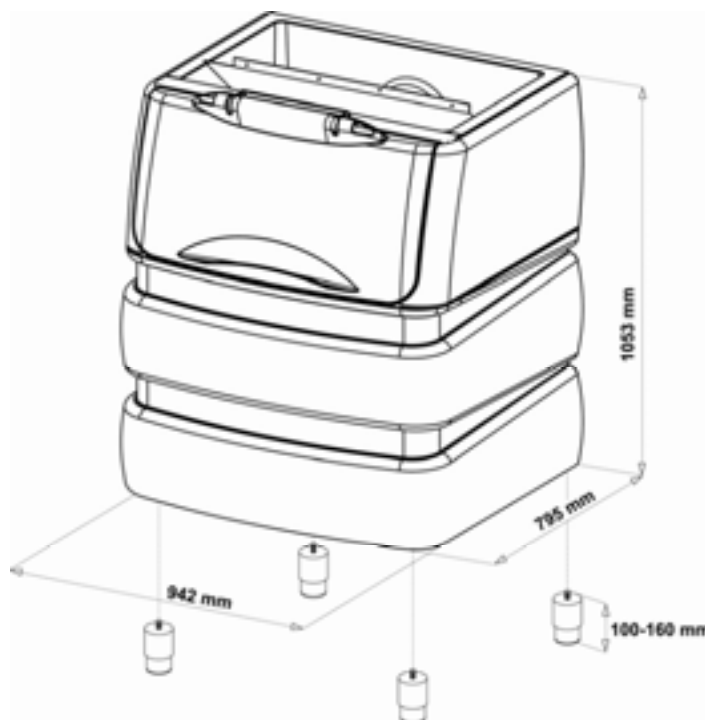
Can be coupled with: C150, VM350/500/900, G150/250/500.



STANDARD FEATURES

- 240kg storage capacity
- Can be coupled with a range of Brema modular ice machine heads
- Polyethylene moulded outer
- Polyethylene moulded tank for insulation
- Piano-hinged door

BREMA BIN240PE



DIMENSIONS

942W x 795D x 1053*H mm
*(add 100-160mm for adjustable legs)

USABLE WITH MODULAR HEADS

C80/150, VM350/500/900, G150/250/500

CONNECTION

24mm Water outlet

TECHNICAL DATA

Storage Capacity	240 Kg	
Weight	69 kg	
Clearances	Rear: 100 mm	Sides: 100 mm

STANDARD ACCESSORIES

- Drainage hose
- Adjustable stainless steel legs (4)
- Plastic Ice Scoop

SPECIFICATIONS ARE SUBJECT TO CHANGE WITHOUT NOTICE.