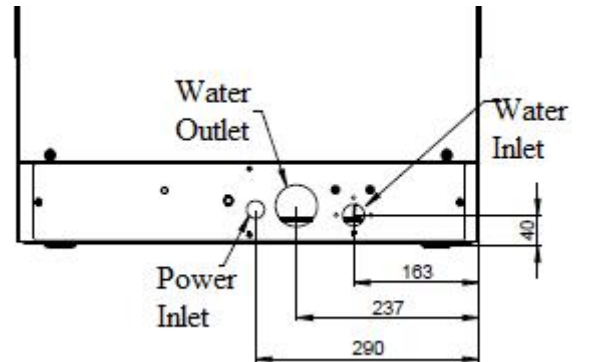
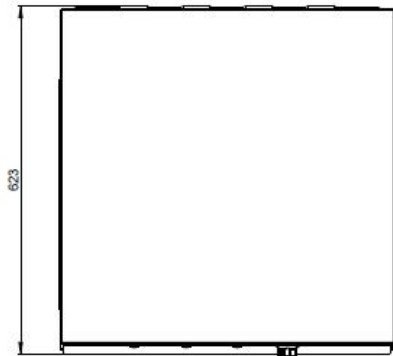
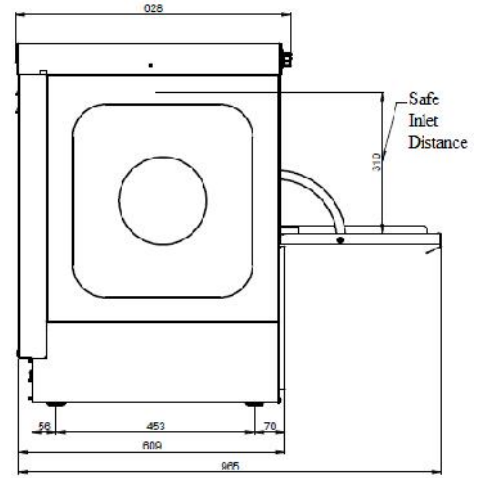
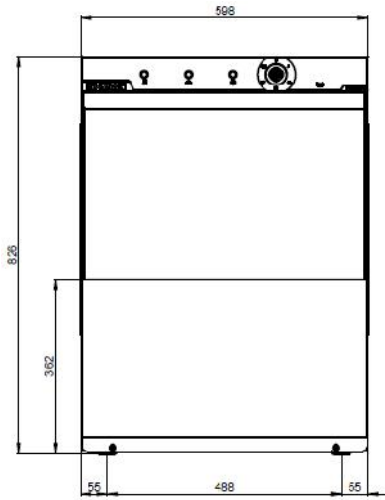


İNOKSAN

BYM52S UNDERCOUNTER DISHWASHER



SAYFA 1-2

UNDERCOUNTER
DISHWASHER BYM052S

ÜR- BYM052S

İNOKSAN A.Ş.

Revision Nr : 0

Revision Date : 15.02.2018

Organize Sanayi Bölgesi Ormanlar CD. No:5 16159 Nilüfer/BURSA inoksan@inoksan.com.tr T. +90 224 294 74 74 - F. +90 224 243 61 23

GENERAL FEATURES

- * Suitable for undercounter installation
- * Controlled electromechanically
- * Easy to mount and dismount washing/ rinsing arms and filters for cleaning purposes ,
- * Safety system to stop the operation when the door is opened ,
- * Rack dimensions 500x500 mms
- * Temperature safety thermostat of boiler ,
- * AISI 304 Cr-Ni S/S
- * Complete with 1 pc glass rack ,
- * 1 pc plate rack
- * When necessary , possibility of installing rinsing pump where the water pressure is not sufficient and drain pump where the drain level is high ,
- * Optional rinsing, drain, detergent and rinsing aid pumps.
- * Water level in the tank controlled by presostat automatically ,
- * Starting the dishwasher through door

TECHNICAL SPECIFICATIONS

Water inlet	3/4	inc
Water pressure	2-4	Bar
Power inlet	230-50 208 -60	V-Hz.
Washing Motor Power	0,45	kW
Max. Electric Power	4,95	kW
Frequency	50-60	Hz
Water consumption	3	Lt/cyc
Tank Power	2,7	kW
Boiler Power	4,5	kW
Washing Temperature	55	°C
Rinsing Temperature	85	°C
Water Inlet Temperature	45-55	°C
Boiler Volume	6	lts
Tank Water Volume	20	lts
Plate Capacity	350-630	pcs/h
Rack Capacity	25-45	pcs/h
Glass Capacity	90-1520	pcs/h
Tray Capacity	175-315	pcs/h
Max. Plate Diameter	320	mm
Plate Height	280	mm
Program Number	3	pcs
Short Program	80	sec
Medium Program	110	sec
Long Program	140	sec
Cable cross section	3x2,5	mm ²
Weight	48	kgs
Rinsing Motor Power	0,33	kW
Draining Motor Power	31W 50Hz.	watts
Detergent Pump Power	8	watts
Rinsing Aid Pump Power	8	watts