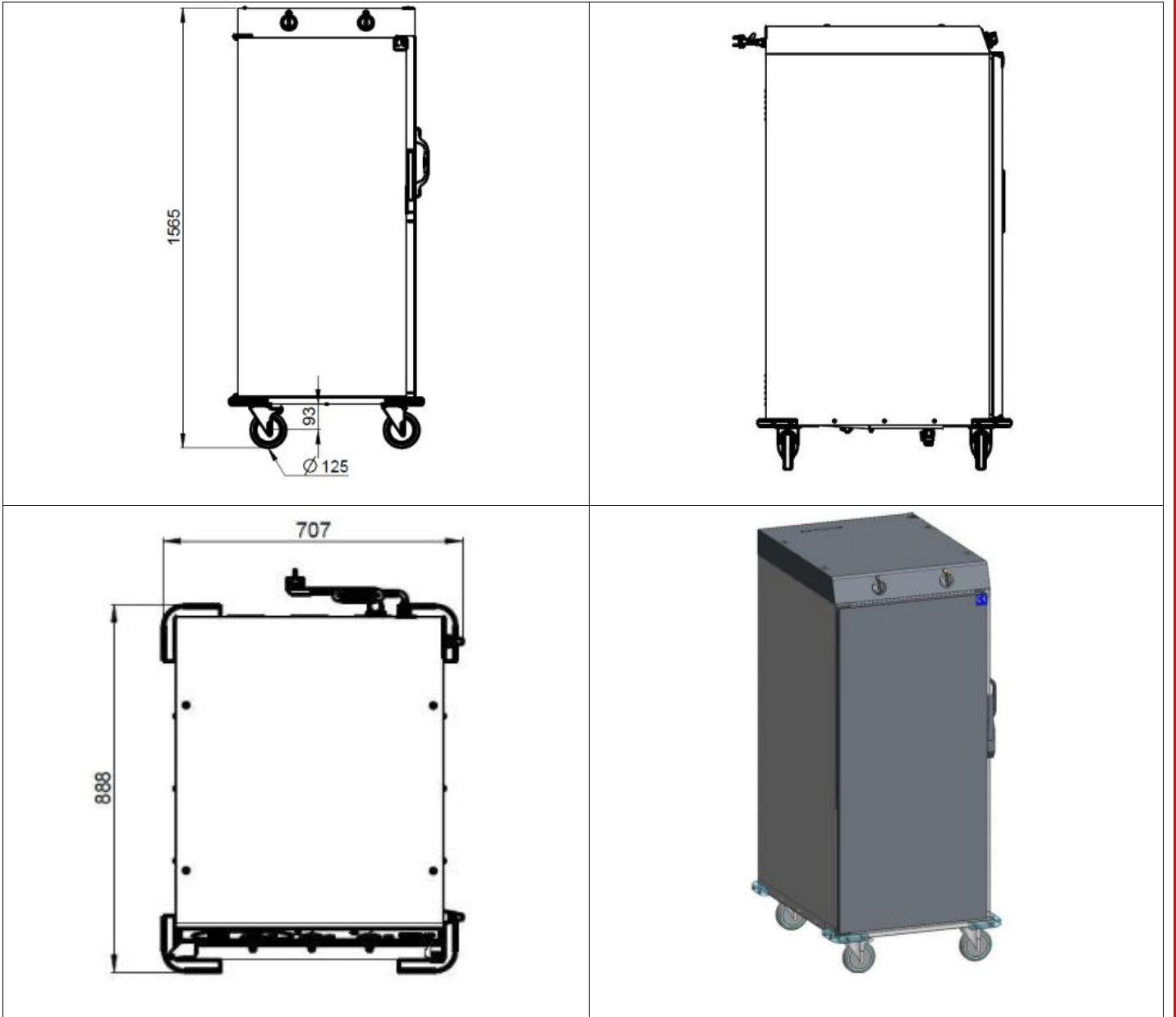


# INO-ABS101S

## Banquet Trolley 10 x (GN2/1)



## Item Description

- \* Banquet Trolley
- \* Casing made from stainless steel (AISI 304)
- \* Extremely robust
- \* Wheels can be locked for stability
- \* Produced in line with the hygiene and safety directives
- \* Distance between shelves 115 mm

## Technical data

Heater power (humidity)	-
Heater power (dry)	1,5 kW
Fan motor	EMF 25-001 220-240 V 50-60 HZ
Total power	1,5 kW
Capacity	10 x (GN2/1)
Electric connection:	230V AC 50-60 Hz