



www.santos.fr

"CLASSIC" CITRUS JUICER # 11
The genuine citrus juicer

**SINCE
1954**

For all citrus fruits

*limes, lemons, oranges,
grapefruits*



Internationally patented models





"CLASSIC" CITRUS JUICER # 11

SINCE 1954



The real commercial juicer, built to last, with a heavy duty and quiet asynchronous motor, for use everywhere you need a fresh squeezed citrus juice: juice bars, health food stores, hotels, bars, restaurants, cafeterias, ice cream shops, institutions, hospitals and even...at home.

Removable bowl
food-safe material
(NSF approved)

Chromed or painted
motor base

Inclined body
for better output

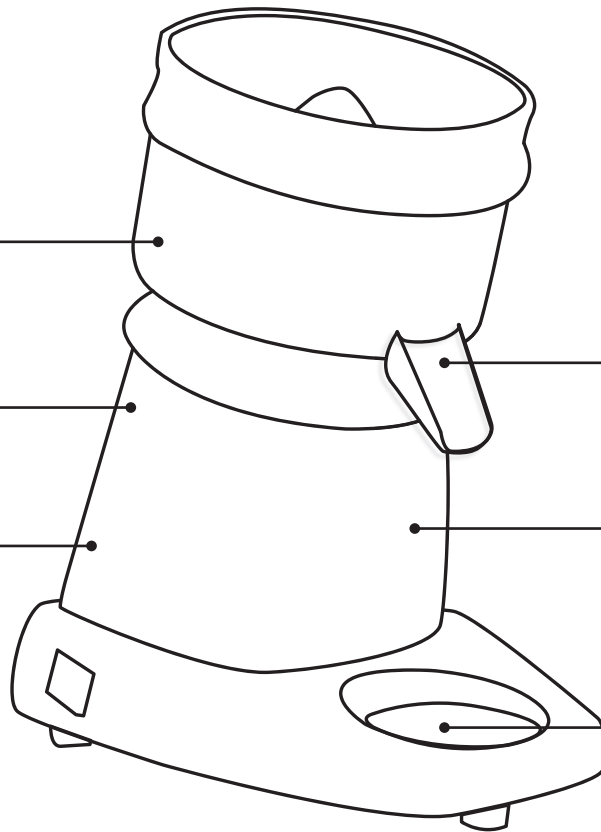


Output
30 liters of juice
per hour (8 gallons)

Wide spout accepting all types of glasses. Height of the spout : 125 mm (5")

Heavy duty and quiet
asynchronous motor

Removable drip tray



11C Chrome



11G Grey



11 Green

CHOOSE
YOUR COLOUR!

The genuine citrus juicer



EASY TO USE, EASY TO CLEAN, COMPLETELY SAFE

www.santos.fr

The unique juicer that you can clean quickly and easily : All the parts which are in contact with the fruits are easily removable (NSF approved).



+ 3 removable squeezers + cover for:

- Limes
- Lemons and Oranges
- Grapefruits

TECHNICAL SPECIFICATIONS



Motor

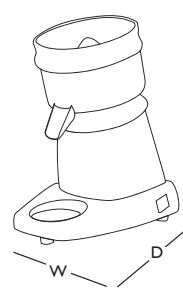
Single phase: 100-120V - 50/60 Hz - 155 W - NSF, CE
220-240V - 50/60 Hz - 130 W - CE

Speed: 1500 rpm (50 Hz)
1800 rpm (60 Hz)

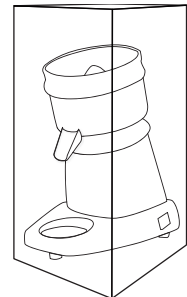


Weight

Net: 5 Kg (11 lbs)
Shipping: 5.6 Kg (12 lbs)



APPLIANCE
W: 230 mm / 9"
D: 300 mm / 12"
H: 350 mm / 14"



SHIPPING BOX
W: 255 mm / 10"
D: 340 mm / 13"
H: 400 mm / 16"

SAFETY, STANDARDS, HYGIENE

In accordance with the following regulations

- Machinery directive 2006/42/EC
- Electromagnetic compatibility 2004/108/EC
- "Low voltage" directive 2006/95/EC
- RoHS directive 2002/95/EC
- Regulation 1935/2004/EC (contact with food)

Harmonized European standards

- EN 12100-1 and 2 : 2004
- EN 60204-1 : 2006
- EN 60 335-2-64 : 2004 Commercial electric kitchen machines

CE (European standards,) NSF (USA)

Thermal safety

Motor protected by thermal detector and overload protector.

Electrical safety

- On/Off interlock switch is waterproof
- All mechanical parts are ground (earth) connected
- All equipment is 100% tested at the end of assembly (special electrical testing bay)

Acoustic safety

The asynchronous motor with direct drive is particularly silent

Hygiene

All removable parts can be put in a dishwasher or easily cleaned with hot soapy water (NSF approved)

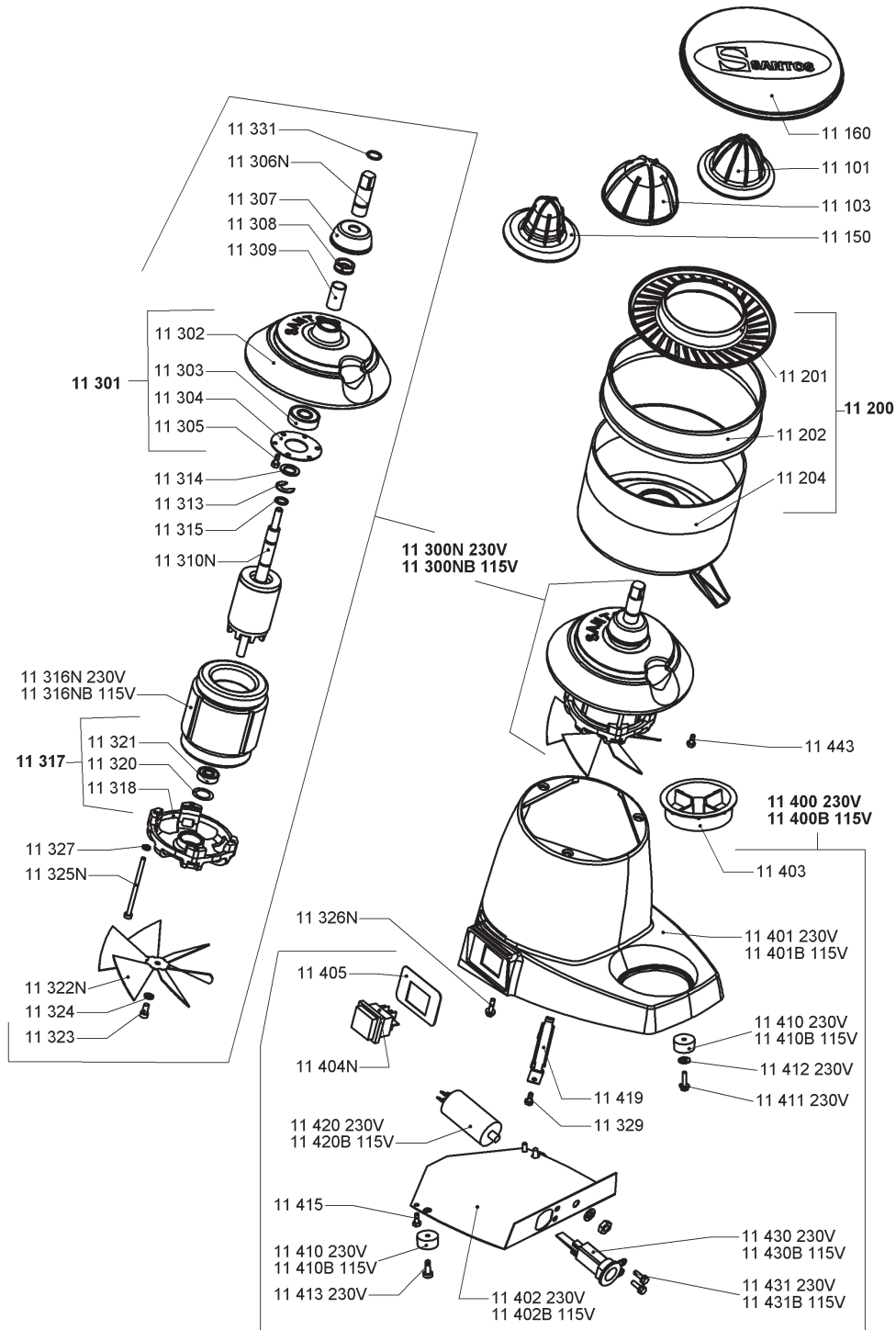
PRODUCT: 2-YEAR WARRANTY | MOTOR: 5-YEAR WARRANTY

"CLASSIC" CITRUS JUICER # 11

The genuine citrus juicer



www.santos.fr



SANTOS

140-150 Avenue Roger Salengro BP 80 067 – 69511 Vaulx-en-velin Cedex (Lyon) – FRANCE

Tel. +33 4 72 37 35 29 – Fax. +33 4 78 26 58 21 – Website: www.santos.fr – Email: santos@santos.fr

Follow us on #SantosAddict social networks   