

RANGE	CODE	MODEL	FUNCTION
MI - 70	MAMCO000700	SP74ET	Chips scuttle

ITEM

Electric chip scuttle top



RANGE	CODE	MODEL	FUNCTION
MI - 70	MAMCO000700	SP74ET	Chips scuttle

ITEM

Electric chip scuttle top



TECHNICAL SPECIFICATIONS

WIDTH (mm):	400
DEPTH (mm):	750
HEIGHT (mm):	250
WEIGHT (Kg):	24
VOLUME (m ³):	0.2
EL. POWER (kW):	2
VOLTAGE:	VAC230-1
COOKING ZONES N°:	1
TANK DIM. (mm):	GN 1/1, H 150mm
TANK N°:	1
IP GRADE:	IPX5
TEMP. RANGE (°C):	0-90

DESCRIPTION

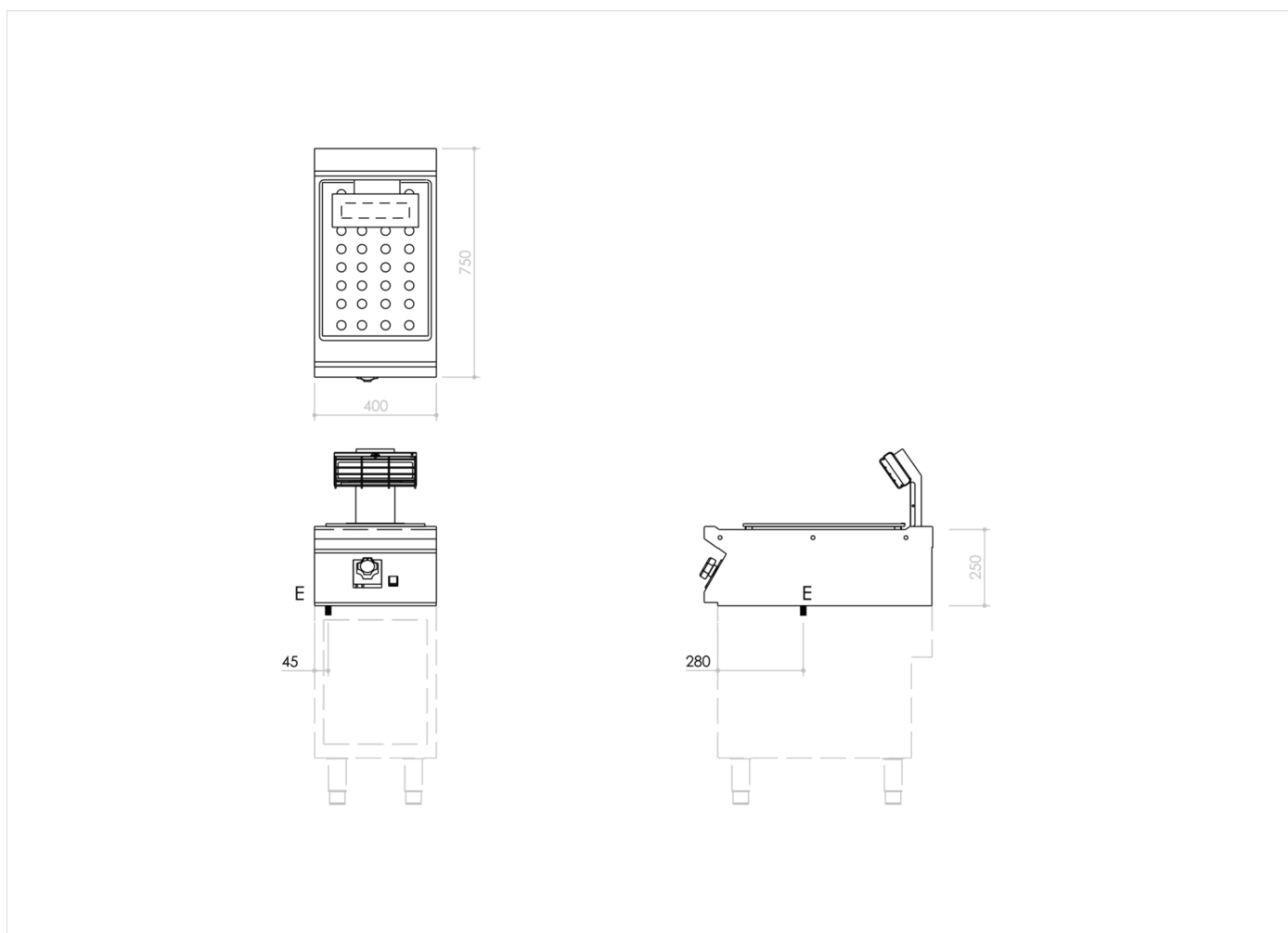
Electric chips scuttle top in AISI 304 stainless steel. Heating by means of lower elements with thermostatic temperature control from 30°C to 90°C. Overhead infrared heater with On /Off switch. GN 1/1 container H=150 mm.



RANGE	CODE	MODEL	FUNCTION
MI - 70	MAMCO000700	SP74ET	Chips scuttle

ITEM

Electric chip scuttle top



INSTALLATION SPECIFICATIONS

(E) Electrical Connection: **VAC230-I 50/60Hz**

