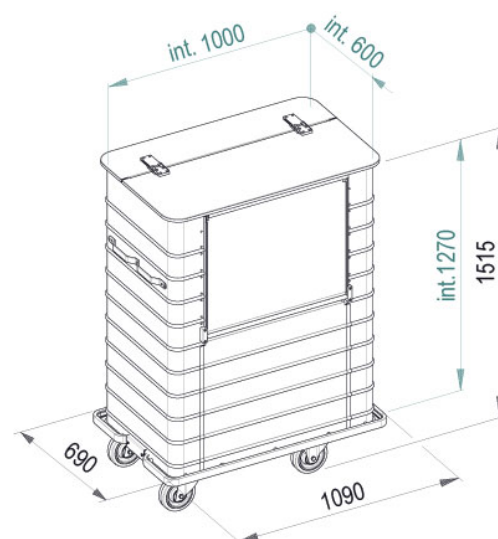


## 203CC

Trolleys suitable for transport and for internal and external placement of soiled linen between hospital storage and the laundry.



Made in light alloy plate, anodised after trolley finished. Equipped with truncated cone opening on a longer side for an easier linen disposal (mod.111LL) or with tip-down door and lid for a total closure (mod.203CC). Horizontal reinforcement ribs each 120 mm approx. Horizontal push handle fixed at one head. Anti-mark PVC bumper in light alloy profile, along the whole lower trolley perimeter profile. Base chassis in light alloy profiles. Equipped with nr.4 wheels in grey anti-mark rubber diam.160 or 200 (2 fix and 2 swivel), disposition at the corners.

Fully and easily removable lid.

Internal Height	Internal Width	Internal Depth	External Height	External Width	External Depth	Capacity	Weight	Position	Ring Size	Diameter Wheels
1270	1000	600	1515	1090	690	720	44	B	0	160