

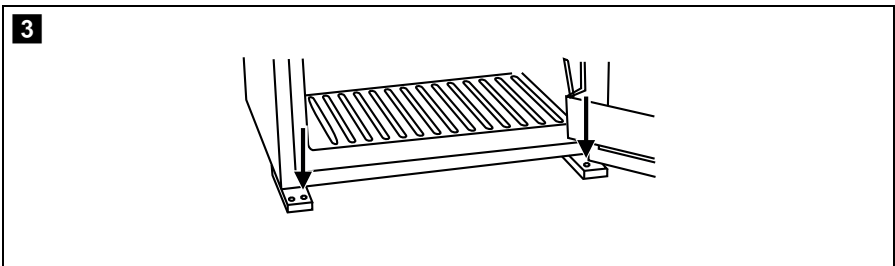
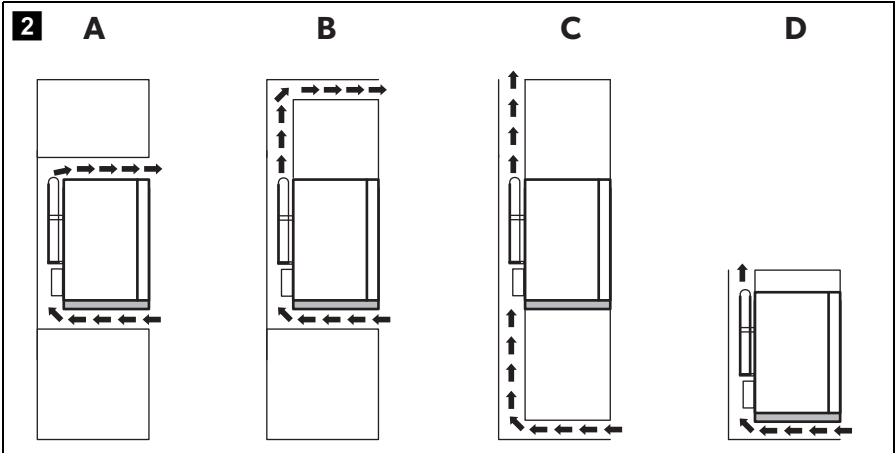
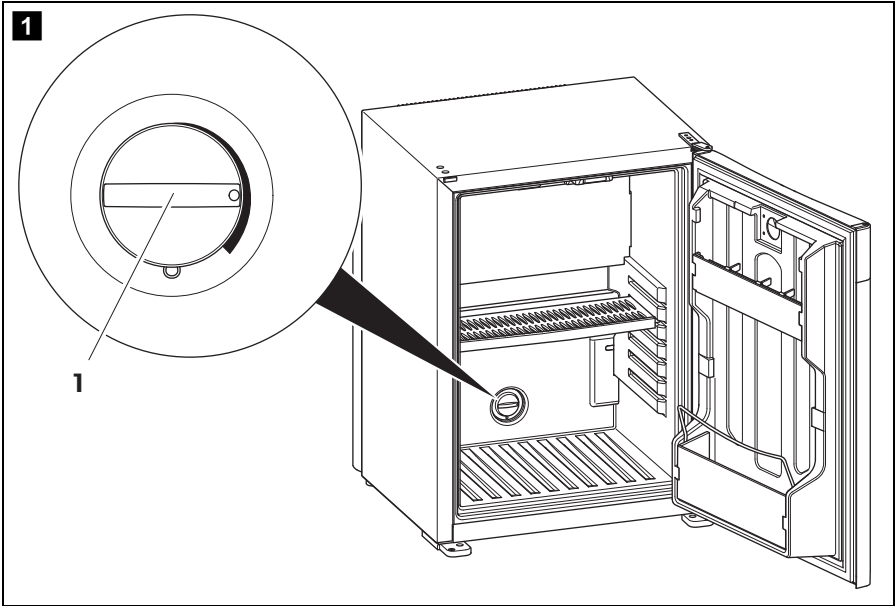
# ↗ DOMETIC REFRIGERATION ECOLINE

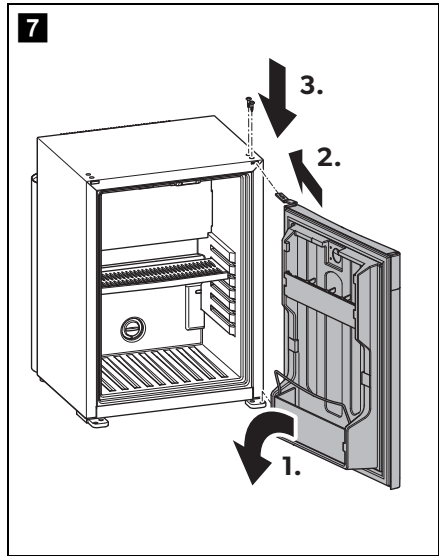
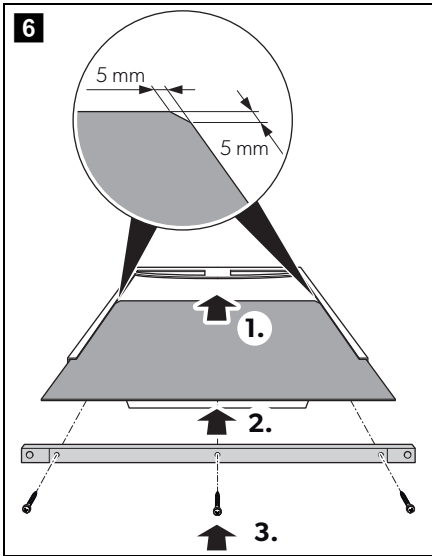
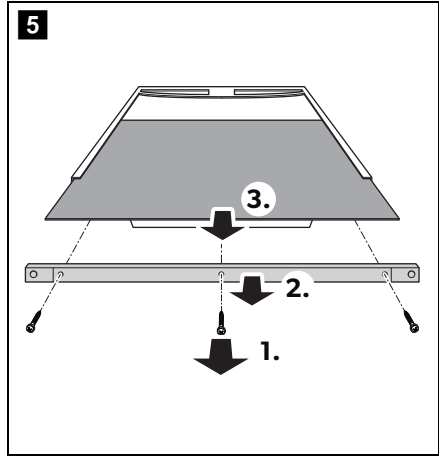
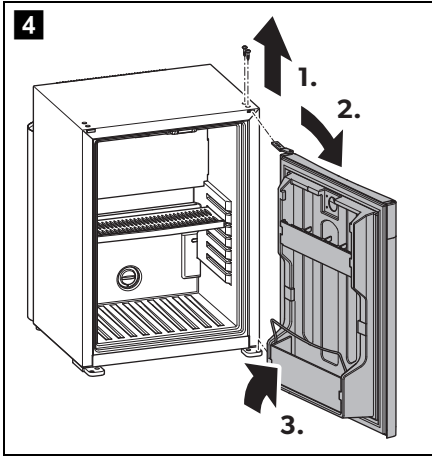


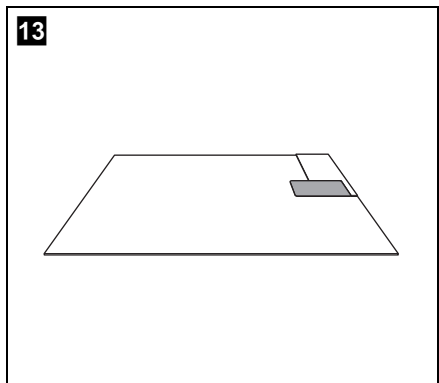
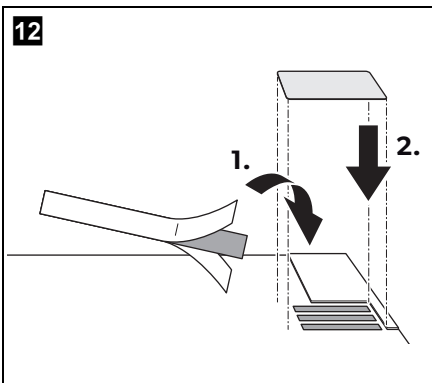
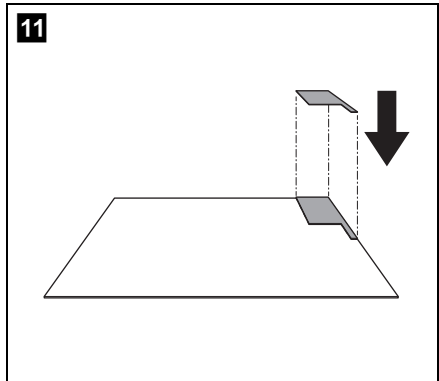
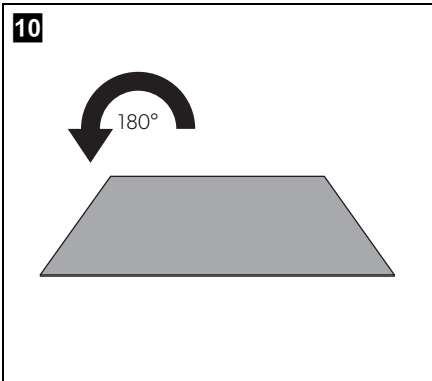
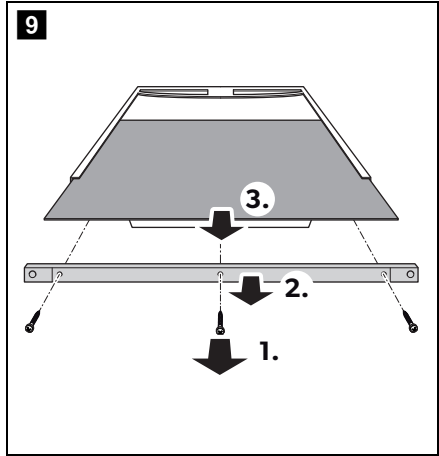
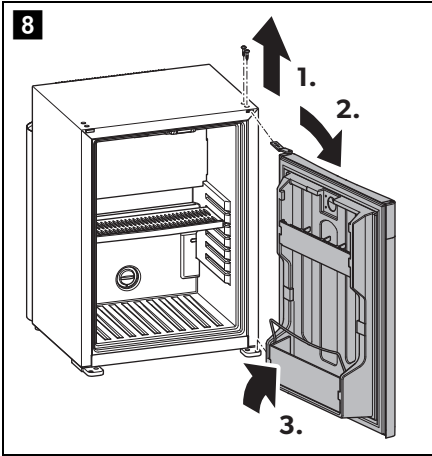
RH430LD, RH430LG, RH440LD,  
RH440LG, RH460LD, RH460LG

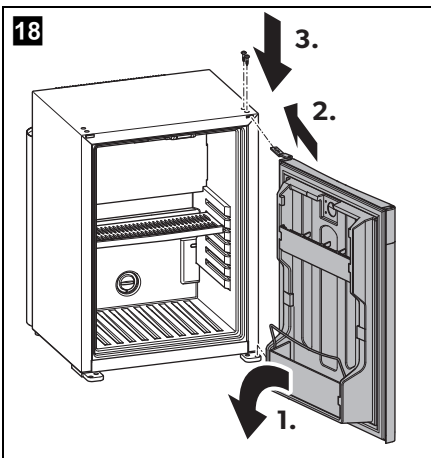
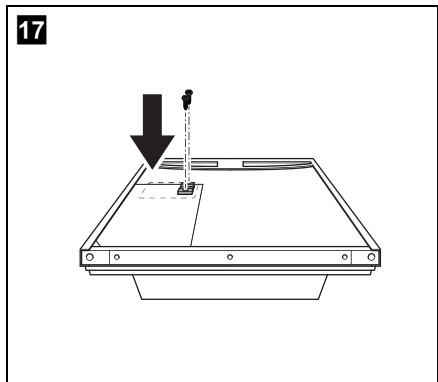
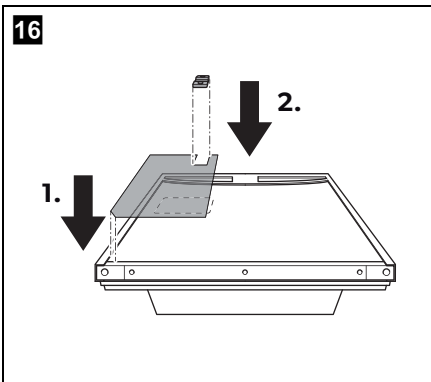
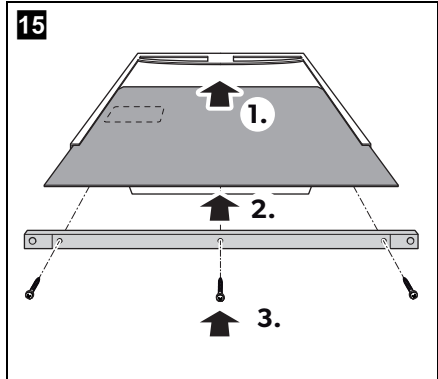
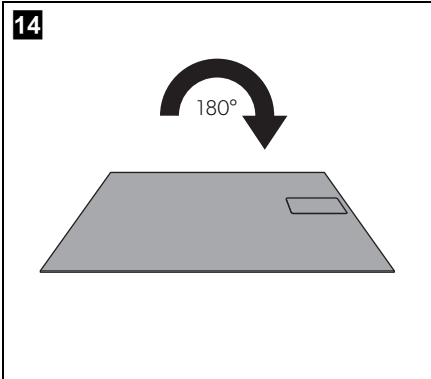
<b>EN</b>	<b>Minibar</b> Installation and Operating Manual . . . . .	11
<b>DE</b>	<b>Minibar</b> Montage- und Bedienungsanleitung . . . . .	23
<b>FR</b>	<b>Minibar</b> Instructions de montage et de service . . . . .	36
<b>ES</b>	<b>Minibar</b> Instrucciones de montaje y de uso . . . . .	49
<b>PT</b>	<b>Minibar</b> Instruções de montagem e manual de instruções . . . . .	62
<b>IT</b>	<b>Minibar</b> Istruzioni di montaggio e d'uso . . . . .	75
<b>NL</b>	<b>Minibar</b> Montagehandleiding en gebruiksaanwijzing . . . . .	88
<b>DA</b>	<b>Minibar</b> Monterings- og betjeningsvejledning . . . . .	101
<b>SV</b>	<b>Minibar</b> Monterings- och bruksanvisning . . . . .	113
<b>NO</b>	<b>Minibar</b> Monterings- og bruksanvisning . . . . .	125
<b>FI</b>	<b>Minibaari</b> Asennus- ja käyttöohje . . . . .	137
<b>RU</b>	<b>Мини-бар</b> Инструкция по монтажу и эксплуатации . . . . .	149
<b>PL</b>	<b>Minibar</b> Instrukcja montażu i obsługi . . . . .	162
<b>SK</b>	<b>Minibar</b> Návod na montáž a uvedenie do prevádzky . . . . .	175
<b>CS</b>	<b>Minibar</b> Návod k montáži a obsluze . . . . .	188
<b>HU</b>	<b>Minibár</b> Szerelési és használati útmutató . . . . .	200

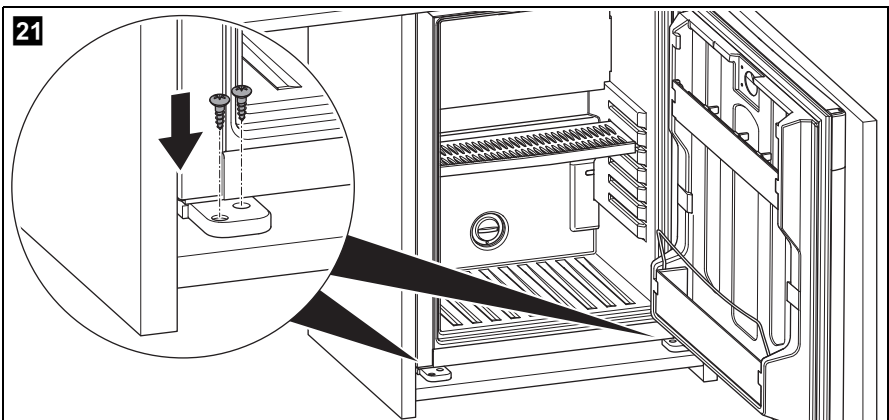
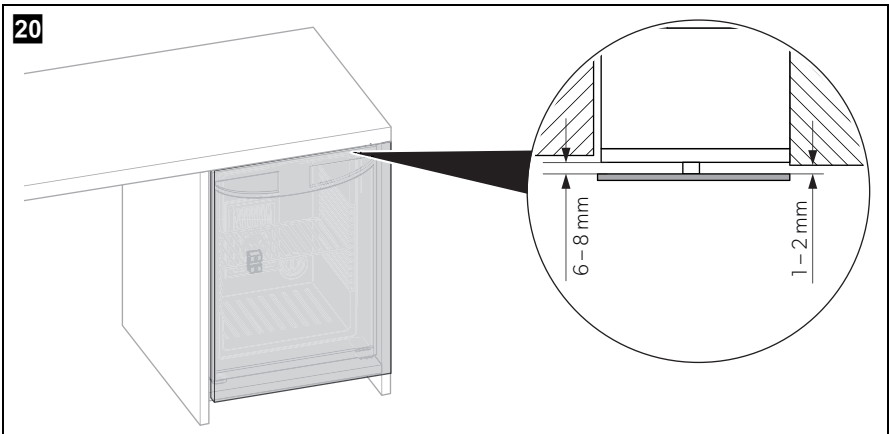
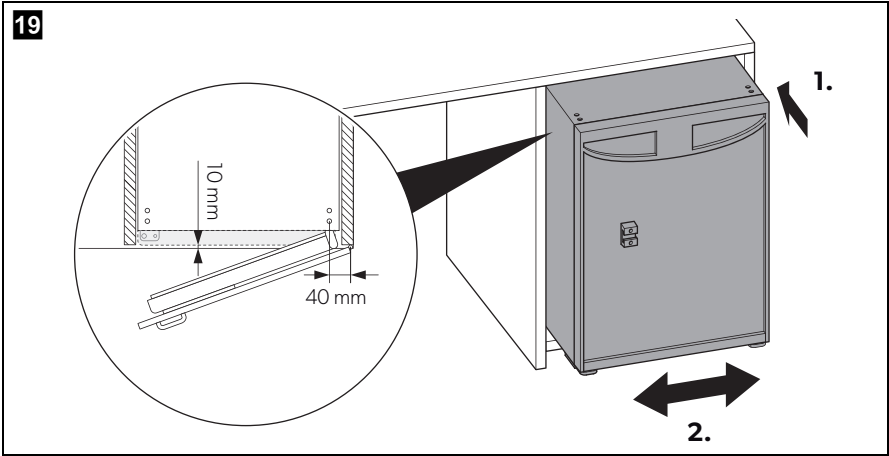




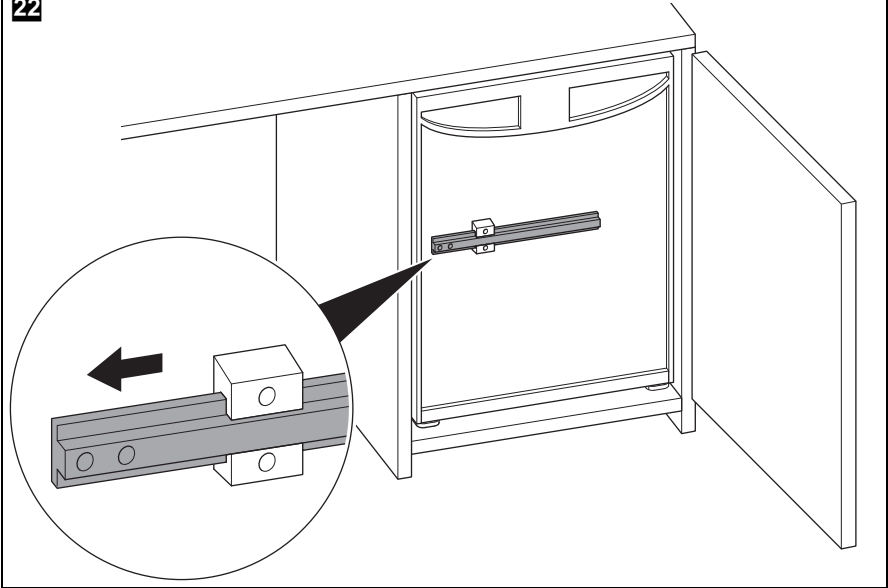




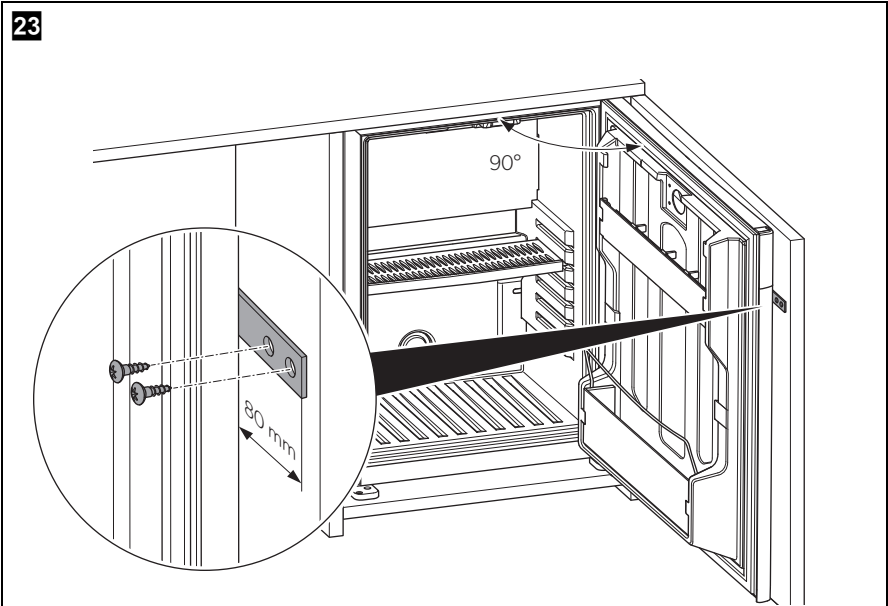




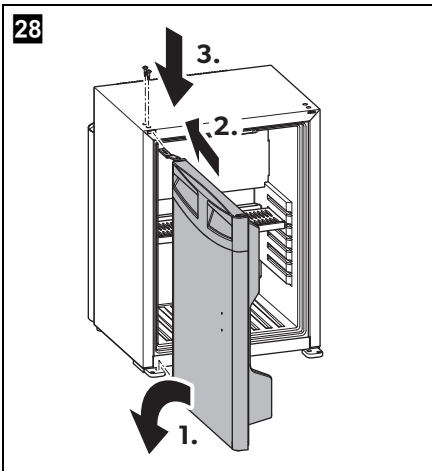
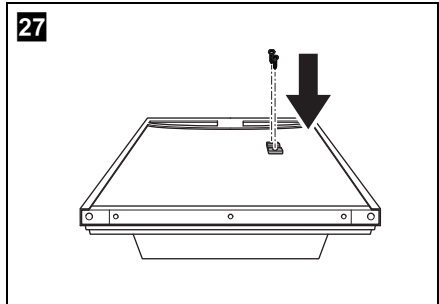
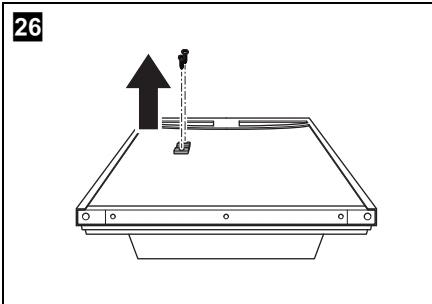
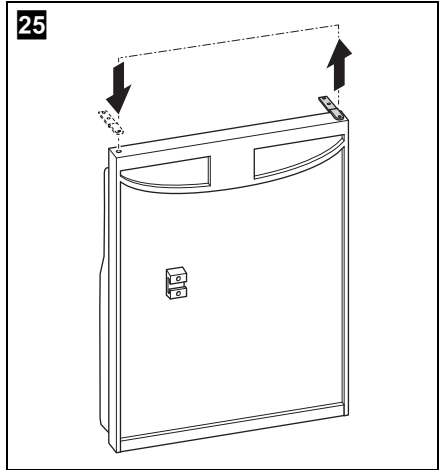
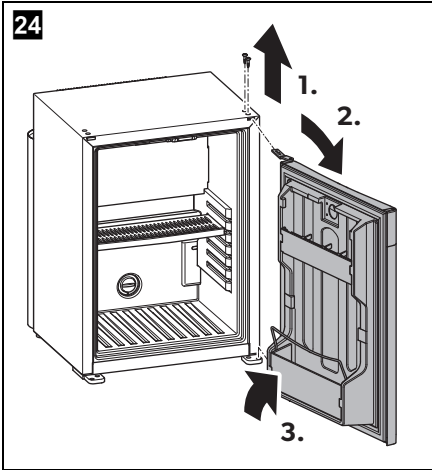
22



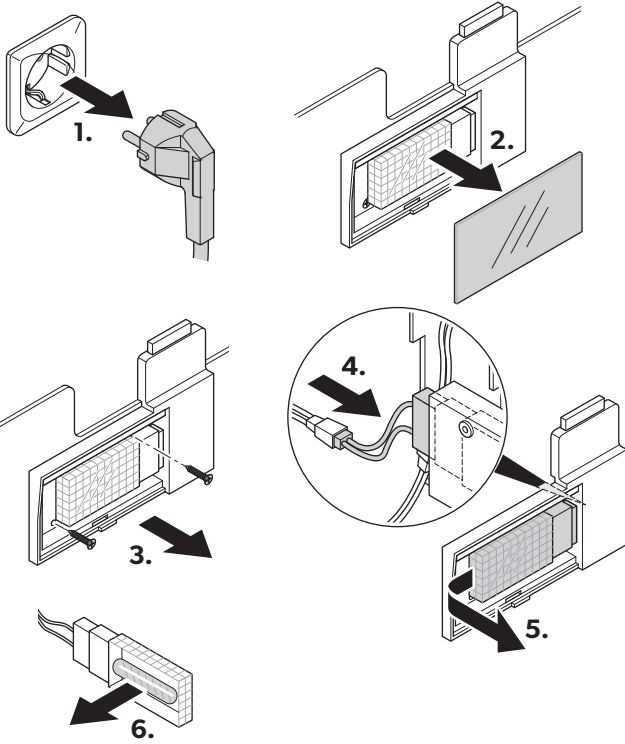
23







29



**Please read this manual carefully before starting the device. Keep it in a safe place for future reference. If the device is passed on to another person, this manual must be handed over to the user along with it.**

The manufacturer cannot be held liable for damage resulting from **improper usage** or **incorrect operation**.

## Contents

1	Explanation of symbols . . . . .	11
2	Safety instructions . . . . .	12
3	Intended use . . . . .	15
4	Scope of delivery . . . . .	15
5	Technical description . . . . .	15
6	Installation . . . . .	16
7	Operation . . . . .	17
8	Cleaning and maintenance . . . . .	18
9	Troubleshooting . . . . .	19
10	Disposal . . . . .	20
11	Technical data . . . . .	21

## 1 Explanation of symbols



### **DANGER!**

**Safety instruction:** Indicates a hazardous situation that, if not avoided, will result in death or serious injury.



### **WARNING!**

**Safety instruction:** Indicates a hazardous situation that, if not avoided, could result in death or serious injury.



### **CAUTION!**

**Safety instruction:** Indicates a hazardous situation that, if not avoided, could result in minor or moderate injury.

**NOTICE!**

Indicates a situation that, if not avoided, can result in property damage.

**NOTE**

Supplementary information for operating the product.

## 2 Safety instructions

### 2.1 General safety



**DANGER! Failure to obey these warnings will result in death or serious injury.**

**Electrocution hazard**

- On boats: If the device is powered by the mains, ensure that the power supply has a residual current circuit breaker.



**WARNING! Failure to obey these warnings could result in death or serious injury.**

**Electrocution hazard**

- Installations in washrooms and areas exposed to water, must be performed by a qualified technician.
- Do not operate the device if it is visibly damaged.
- If this device's power cable is damaged, it must be replaced by the manufacturer, customer service or a similarly qualified person in order to prevent safety hazards.
- This device may only be repaired by qualified personnel. Inadequate repairs may cause serious hazards.

**Health hazard**

- This device can be used by children aged from 8 years and above and persons with reduced physical, sensory or mental capabilities or lack of experience and knowledge if they have been given supervision or instruction concerning use of the device in a safe way and understand the hazards involved.
- Children shall not play with the device.
- Cleaning and user maintenance shall not be made by children without supervision.

- Children aged from 3 to 8 years are allowed to load and unload refrigerating devices.

### **Explosion hazard**

- Do not store any explosive substances, such as spray cans with propellants, in the device.



**CAUTION! Failure to obey these cautions could result in minor or moderate injury.**

### **Risk of crushing**

- Do not put your fingers into the hinge.

### **Health hazard**

- Foodstuff may only be stored in its original packaging or in suitable containers.



### **NOTICE! Damage hazard**

- Check that the voltage specification on the type plate is the same as that of the power supply.
- Never pull the plug out of the socket by the connection cable.
- The device is not suitable for storing substances which are caustic or contain solvents.
- Keep the drainage outlet clean at all times.
- Do not open the refrigerant circuit under any circumstances.
- Never transport the device in a horizontal position, so that no oil can leak out of the compressor.
- Make sure that the refrigerant circuit is not damaged during transportation. The refrigerant in the refrigerant circuit is highly flammable. In the event of any damage to the refrigerant circuit:
  - Avoid naked flames and sparks.
  - Air the room well.
- Set up the device in a dry location where it is protected against splashing water.

## **2.2 Operating the device safely**



**DANGER! Failure to obey these warnings will result in death or serious injury.**

### **Electrocution hazard**

- Do not touch exposed cables with your bare hands.



**CAUTION! Failure to obey these cautions could result in minor or moderate injury.**

**Electrocution hazard**

- Before starting the device, ensure that the power supply line and the plug are dry.

**Health hazard**

- Opening the door for long periods can cause significant increase of the temperature in the compartments of the device.
- Clean regularly surfaces that can come in contact with food and accessible drainage systems.
- Store raw meat and fish in suitable containers in the device, so that it is not in contact with or can drip onto other food.
- If the device is left empty for long periods:
  - Switch off the device.
  - Defrost the device.
  - Clean and dry the device.
  - Leave the door open to prevent mould developing within the device.



**NOTICE! Damage hazard**

- Do not use electrical devices inside the cooling device unless they are recommended by the manufacturer for that purpose.
- Do not place it near naked flames or other heat sources (heaters, direct sunlight, gas ovens etc.)
- **Danger of overheating!**  
Always ensure sufficient ventilation so that the heat generated during operation can dissipate. Make sure that the device is sufficiently far away from walls and other objects so that the air can circulate.
- Ensure that the ventilation vents are not covered.
- Do not fill the inner container with ice or fluid.
- Never immerse the device in water.
- Protect the device and the cable against heat and moisture.
- Make sure that foodstuffs do not touch the walls of the cooling area.

### 3 Intended use

The cooling device is suitable for cooling beverages and snacks.

The device is designed for use with a 220 – 240 V~ mains supply.



#### **CAUTION! Health hazard!**

Please check if the cooling capacity of the device is suitable for storing the food or medicine you wish to cool.

### 4 Scope of delivery

Quantity	Description
1	Minibar
1	Installation and operating manual

### 5 Technical description

The cooling device can cool products to a maximum of 21 °C (RH430LD, RH440LD, RH460LD only) or 18 °C (RH430LG, RH440LG, RH460LG only) under the ambient temperature and keep them cool. A grid divider can be used to separate foodstuffs, e.g. bottles and sweets.

#### Control element

No. in fig. <b>1</b> , page 3	Description
1	Temperature controller

#### Defrosting function

Frost will gradually form on the cooling surfaces. To prevent this frost-formation the appliance has a function switching off the cooling unit for two hours in every 24 hours.

During the two hour defrosting phase the frost will melt and the defrost water runs into an evaporating vessel located at the bottom rear of the refrigerator. The defrost water evaporates automatically so that the vessel does not have to be emptied manually.

## 6 Installation



### **WARNING! Electrical shock!**

Failure to obey these instructions could result in death or serious injury.

- When positioning the device, ensure the supply cord is not trapped or damaged.
- Do not locate multiple portable socket-outlets or portable power supplies at the rear of the device.



### **CAUTION! Health hazard**

To avoid a hazard due to instability of the device, it must be fixed in accordance with the instructions.

The cooling device is designed for free-standing installation, but it can also be installed in a built-in cabinet. To ensure satisfactory operation and maximum cooling efficiency the following installation conditions have to be fulfilled.

- The cooling device must be levelled carefully to ensure proper function.
- The clearance between the cooling device's back and the wall should be 20 mm or more.
- Ventilation must be provided as shown in alternatives A, B, C or D (fig. **2**, page 3).
- The ventilation duct must at least measure 105 mm x the width of the cooling device.
- The entire cooling unit must project into the ventilation duct as shown (fig. **2**, page 3). Other parts of the device may not project into the ventilation duct.
- Air passing through the ventilation duct must not be preheated by any source of heat.
- Ventilation grills, if used, must have openings of at least 200 cm<sup>2</sup>.
- Moisture will condense on the door of the glass door version, when the ambient humidity is above 65 % in 25 °C ambient temperature.
- The cooling device must be fixed. Use screws of an appropriate length and insert them through the device feet (fig. **3**, page 3).
- The socket outlet for the mains connection must be freely accessible.

### 6.1 Changing the decorative plate

To change the decorative plate proceed as shown in fig. **4** to fig. **7** on page 4.



## 6.2 Mounting the sliding hinge (optional)

You can mount a sliding hinge that allows the cooling device door to be opened together with the door of the built-in cabinet (fig. **8**, page 5, to fig. **23**, page 8).

## 6.3 Reversing the door

Reverse the door as shown in fig. **24** to fig. **28** on page 9.

For doors with a sliding hinge proceed as shown in fig. **26** to fig. **27** on page 9.

# 7 Operation



### CAUTION! Health hazard!

Food may only be stored in its original packaging or in suitable containers.



### NOTE

- Before starting your new cooling device for the first time, you should clean it inside and outside with a damp cloth for hygienic reasons (please also refer to the chapter “Cleaning and maintenance” on page 18).
- If a few drops of water form inside the cooling device after it has been cooling for a lengthy period, the cooling device is not defective. Air moisture condenses to water when the temperature in the cooling device falls. Wipe the water out with a dry cloth if necessary.

## 7.1 Energy saving tips

- Choose a well ventilated location which is protected from direct sunlight.
- Allow warm food to cool down first before placing it in the cooling device to keep cool.
- Do not open the cooling device more often than necessary.
- Do not leave the cooling device open for longer than necessary.

## 7.2 Using the cooling device



### NOTICE! Risk of damage

- Ensure that the objects placed in the cooling device are suitable for cooling to the selected temperature.
- Ensure that food or liquids in glass containers are not excessively refrigerated. Liquids expand when they freeze and can therefore destroy the glass containers.
- Ensure that your cooling device is well ventilated so that any heat created can dissipate. Otherwise proper functioning cannot be ensured. It is especially important not to cover the air vents.



### NOTE

If the cooling device is not in use for an extended period of time, leave the door slightly ajar to prevent unpleasant odours building up.

- Place the cooling device on a firm base.
- Connect the connection cable to the AC mains supply.
- ✓ The cooling device starts cooling the interior.
- Set the temperature controller (fig. **1** 1, page 3) to the desired temperature (3 – 12 °C).
- If you wish to switch the cooling device off, pull out the connection cable or ...
- Rotate the temperature controller (fig. **1** 1, page 3) anti-clockwise to the OFF position.

## 8 Cleaning and maintenance



### WARNING!

Always disconnect the device from the power supply before you clean and service it.



### NOTICE! Risk of damage

- Never clean the cooling device under running water or in dish water.
- Do not use abrasive cleaning agents or hard objects during cleaning as these can damage the cooling device.

- Use a soft cloth, lukewarm water and a mild detergent to clean the inside of the cooling device.
- Wash out the cooling device using clean water and dry thoroughly.
- At annual intervals, remove dust from the cooling aggregate at the back of the cooling device using a brush or a soft cloth.

## 8.1 Changing the device light



### WARNING!

Always disconnect the device from the power supply before you change the device light.

The device uses a LED board as illuminant. A new LED board can be obtained from Dometic.

- Change the LED light as follows: fig. **29**, page 10

## 9 Troubleshooting

Problem	Possible cause	Suggested remedy
Device is not cooling (the cooling unit at the back of the device is cold).	The device plug is not plugged in.	Plug the device plug in.
	No voltage present in the AC voltage socket.	Check fuse or try using another plug socket.
	The device is in its defrosting phase.	Check again if the device is cooling after 2 hours as the defrosting phase lasts 2 hours.
	The electronics or the sensor is defective.	This can only be repaired by an authorised customer services unit.
	The heating element is defective.	This can only be repaired by an authorised repair centre.
Device is not cooling (the cooling unit at the back of the device is warm).	The device is not level.	Level the device using a spirit level.
	The device was only switched on a short while ago.	Let the device run for 5 to 6 hours.
	The cooling unit is defective.	This can only be repaired by an authorised repair centre.

<b>Problem</b>	<b>Possible cause</b>	<b>Suggested remedy</b>
The devices cooling performance is poor.	The cooling unit is not sufficiently ventilated.	Check that the ventilation grids are not covered. <hr/> Check that device has been installed in accordance with fig. <b>2</b> , page 3.
	The device is exposed to heat or direct sunlight.	Relocate the device.
	The device door does not close tightly.	Check if the door is installed correctly. An authorised repair centre can install a new door seal if necessary.
	The device was stocked a short while ago.	Check the temperature after 5 to 6 hours.
Frost is forming inside the device.	The device door does not close tightly.	Check if the door is installed correctly. An authorised repair centre can install a new door seal if necessary.




## 10 Disposal




- Place the packaging material in the appropriate recycling waste bins wherever possible.



If you wish to finally dispose of the product, ask your local recycling centre or specialist dealer for details about how to do this in accordance with the applicable disposal regulations.

# 11 Technical data

	<b>RH430LD</b>	<b>RH430LG</b>	<b>RH440LD</b>
Gross capacity:	30 l		40 l
Connection voltage:	220 – 240 V~, 50/60 Hz		
Power consumption:	65 W		
Temperature range:	+3 °C to +12 °C		
Category:	2 (Cellar)		
Energy efficiency class:	D	F	D
Energy consumption (kWh/annum):	260	365	266
Usable capacity:	26 l	27 l	36 l
Climate class:	N, T		
Refrigerant quantity:	100 g		
Ambient temperature:	+16 °C to +32 °C		
Noise emission (sound power):	0 dB		
Dimensions (W x D x H):	384 x 410 x 522	384 x 420 x 522	401 x 446 x 554
Weight:	13.95 kg	16.7 kg	15 kg
Testing/certification:	  		

	<b>RH440LG</b>	<b>RH460LD</b>	<b>RH460LG</b>
Gross capacity:	40 l	60 l	
Connection voltage:	220 – 240 V~, 50/60 Hz		
Power consumption:	65 W	80 W	
Temperature range:	+3 °C to +12 °C		
Category:	2 (Cellar)		
Energy efficiency class:	F	F	G
Energy consumption (kWh/annum):	365	372	449
Usable capacity:	37 l	55 l	56 l
Climate class:	N, T		
Refrigerant quantity:	100 g		
Ambient temperature:	+16 °C to +32 °C		
Noise emission (sound power):	0 dB		
Dimensions (W x D x H):	401 x 456 x 554	486 x 474 x 563	486 x 484 x 563
Weight:	18.4 kg	17.95 kg	22.15 kg
Testing/certification:	  		

**Bitte lesen Sie diese Anleitung vor der Inbetriebnahme sorgfältig durch und bewahren Sie sie auf. Geben Sie sie im Falle einer Weitergabe des Kühlgerätes an den Nutzer weiter.**

Der Hersteller haftet nicht für Schäden, die durch **nicht bestimmungsgemäßen Gebrauch** oder **falsche Bedienung** verursacht werden.

## Inhaltsverzeichnis

1	Erklärung der Symbole .....	23
2	Sicherheitshinweise .....	24
3	Bestimmungsgemäßer Gebrauch .....	27
4	Lieferumfang .....	27
5	Technische Beschreibung .....	28
6	Montage .....	28
7	Bedienung .....	30
8	Reinigung und Pflege .....	31
9	Störungsbeseitigung .....	32
10	Entsorgung .....	33
11	Technische Daten .....	34

## 1 Erklärung der Symbole



### **GEFAHR!**

**Sicherheitshinweis** auf eine Gefahrensituation, die zum Tod oder zu schwerer Verletzung führt, wenn sie nicht vermieden wird.



### **WARNUNG!**

**Sicherheitshinweis** auf eine Gefahrensituation, die zum Tod oder zu schwerer Verletzung führen kann, wenn sie nicht vermieden wird.

**VORSICHT!**

**Sicherheitshinweis** auf eine Gefahrensituation, die zu einer leichten oder mittelschweren Verletzung führen kann, wenn sie nicht vermieden wird.

**ACHTUNG!**

Hinweis auf eine Situation, die zu Sachschäden führen kann, wenn sie nicht vermieden wird.

**HINWEIS**

Ergänzende Informationen zur Bedienung des Produktes.

## 2 Sicherheitshinweise

### 2.1 Allgemeine Sicherheit



**GEFAHR! Nichtbeachtung dieser Sicherheitshinweise führt zum Tod oder zu schweren Verletzungen.**

**Lebensgefahr durch Stromschlag**

- Bei Booten: Sorgen Sie bei Netzbetrieb unbedingt dafür, dass Ihre Stromversorgung über einen FI-Schutzschalter abgesichert ist.



**WARNUNG! Nichtbeachtung dieser Sicherheitshinweise kann zum Tod oder zu schweren Verletzungen führen.**

**Lebensgefahr durch Stromschlag**

- Lassen Sie Installationen in Feuchträumen und Bereichen, die Wasser ausgesetzt sind, nur vom Fachmann ausführen.
- Wenn das Gerät sichtbare Beschädigungen aufweist, dürfen Sie ihn nicht in Betrieb nehmen.
- Wenn das Anschlusskabel dieses Gerätes beschädigt wird, muss es durch den Hersteller, seinen Kundendienst oder eine ähnlich qualifizierte Person ersetzt werden, um Gefährdungen zu vermeiden.
- Reparaturen an diesem Gerät dürfen nur von Fachkräften durchgeführt werden. Durch unsachgemäße Reparaturen können erhebliche Gefahren entstehen.



### **Gesundheitsgefahr**

- Dieses Gerät kann von Kindern ab 8 Jahren und Personen mit eingeschränkten physischen, sensorischen oder geistigen Fähigkeiten oder einem Mangel an Erfahrung und Wissen verwendet werden, wenn sie beaufsichtigt werden oder eine Anleitung zur sicheren Benutzung des Geräts erhalten haben und sie die daraus resultierenden Gefahren verstehen.
- Kinder dürfen nicht mit dem Gerät spielen.
- Reinigung und Benutzer-Wartung dürfen nicht von Kindern ohne Beaufsichtigung durchgeführt werden.
- Kinder im Alter von 3 bis 8 Jahren dürfen Kühlgeräte be- und entladen.

### **Explosionsgefahr**

- Lagern Sie keine explosionsfähigen Stoffe wie z. B. Sprühdosen mit brennbarem Treibgas im Gerät.



**VORSICHT! Nichtbeachtung dieser Sicherheitshinweise kann zu leichten oder mittelschweren Verletzungen führen.**

### **Quetschgefahr**

- Fassen Sie nicht in das Scharnier.

### **Gesundheitsgefahr**

- Lebensmittel dürfen nur in Originalverpackungen oder geeigneten Behältern eingelagert werden.



### **ACHTUNG! Beschädigungsgefahr**

- Vergleichen Sie die Spannungsangabe auf dem Typenschild mit der vorhandenen Energieversorgung.
- Ziehen Sie den Stecker nie am Anschlusskabel aus der Steckdose.
- Das Gerät ist nicht geeignet für die Lagerung ätzender oder lösungsmittelhaltiger Stoffe.
- Halten Sie die Abflussöffnung stets sauber.
- Öffnen Sie auf keinen Fall den Kühlkreislauf.
- Transportieren Sie das Gerät niemals in waagerechter Stellung, damit kein Öl aus dem Kompressor auslaufen kann.
- Achten Sie beim Transport darauf, den Kühlkreislauf nicht zu beschädigen. Das Kältemittel im Kühlkreislauf ist leicht entflammbar. Bei einer Beschädigung des Kühlkreislaufs:
  - Vermeiden Sie offenes Feuer und Zündfunken.
  - Lüften Sie den Raum gut.

- Stellen Sie das Gerät an einem trockenen und gegen Spritzwasser geschützten Platz auf.

## 2.2 Sicherheit beim Betrieb des Gerätes



**GEFAHR! Nichtbeachtung dieser Sicherheitshinweise führt zum Tod oder zu schweren Verletzungen.**

### **Lebensgefahr durch Stromschlag**

- Fassen Sie nie mit bloßen Händen an blanke Leitungen.



**VORSICHT! Nichtbeachtung dieser Sicherheitshinweise kann zu leichten oder mittelschweren Verletzungen führen.**

### **Lebensgefahr durch Stromschlag**

- Achten Sie vor der Inbetriebnahme darauf, dass Zuleitung und Stecker trocken sind.

### **Gesundheitsgefahr**

- Das Öffnen der Tür über einen längeren Zeitraum kann einen erheblichen Temperaturanstieg in den Fächern des Gerätes verursachen.
- Reinigen Sie regelmäßig Oberflächen, die mit Lebensmitteln und zugänglichen Entwässerungssystemen in Berührung kommen können.
- Lagern Sie rohes Fleisch und Fisch in geeigneten Behältern im Gerät, damit sie nicht mit anderen Lebensmitteln in Berührung kommen oder auf diese abtropfen.
- Wenn das Gerät für längere Zeit leer steht:
  - Schalten Sie das Gerät aus.
  - Tauen Sie das Gerät ab.
  - Reinigen und trocknen Sie das Gerät.
  - Lassen Sie die Tür offen, um Schimmelbildung im Gerät zu verhindern.



### **ACHTUNG! Beschädigungsgefahr**

- Benutzen Sie keine Elektrogeräte innerhalb des Gerätes, außer wenn diese Elektrogeräte vom Hersteller dafür empfohlen werden.
- Stellen Sie das Gerät nicht in der Nähe von offenen Flammen oder anderen Wärmequellen (Heizung, starke Sonneneinstrahlung, Gasöfen usw.) ab.

- **Überhitzungsgefahr!**

Achten Sie stets darauf, dass beim Betrieb entstehende Wärme ausreichend abgeführt werden kann. Sorgen Sie dafür, dass das Gerät in ausreichendem Abstand zu Wänden oder Gegenständen steht, sodass die Luft zirkulieren kann.

- Achten Sie darauf, dass die Lüftungsöffnungen nicht abgedeckt werden.
- Füllen Sie keine Flüssigkeiten oder Eis in den Innenbehälter.
- Tauchen Sie das Gerät nie in Wasser.
- Schützen Sie das Gerät und die Kabel vor Hitze und Nässe.
- Achten Sie darauf, dass die Speisen keine Wand des Kühlraums berühren.

### 3 Bestimmungsgemäßer Gebrauch

Das Kühlgerät eignet sich zum Kühlen von Getränken und Snacks.

Das Gerät ist für den Betrieb an einem 220 – 240 V~ -Wechselstromnetz ausgelegt.



**VORSICHT! Gesundheitsgefahr!**

Prüfen Sie bitte, ob die Kühlleistung des Gerätes den Anforderungen der Lebensmittel oder Medikamente entspricht, die Sie kühlen wollen.

### 4 Lieferumfang

Menge	Bezeichnung
1	Minibar
1	Montage- und Bedienungsanleitung

## 5 Technische Beschreibung

Das Kühlgerät kann Waren bis maximal 21 °C (nur RH430LD, RH440LD, RH460LD) bzw. 18 °C (nur RH430LG, RH440LG, RH460LG) unter Umgebungstemperatur abkühlen und kühl halten. Durch ein Trenngitter können Lebensmittel getrennt werden, z.B. Flaschen und Süßigkeiten.

### Bedienelement

Pos. in Abb. <b>1</b> , Seite 3	Bezeichnung
1	Temperaturregler

### Abtaufunktion

Auf den Kühlflächen bildet sich mit der Zeit eine Reifschicht. Um dies zu vermeiden, verfügt das Gerät über eine Funktion, durch die das Kühlaggregat alle 24 Stunden für zwei Stunden abgeschaltet wird.

Während dieser zweistündigen Abtauphase schmilzt die Reifschicht ab. Das entstehende Tauwasser läuft in einen Auffangbehälter unten an der Rückwand des Kühlschranks. Das Tauwasser verdampft von selbst, sodass der Auffangbehälter nicht manuell geleert werden muss.

## 6 Montage



### **WARNUNG! Stromschlaggefahr!**

Nichtbeachtung dieser Hinweise kann zu Tod oder schweren Verletzungen führen.

- Stellen Sie beim Aufstellen des Geräts sicher, dass das Anschlusskabel nicht eingeklemmt oder beschädigt wird.
- Positionieren Sie keine Mehrfachsteckdosen oder Netzgeräte an der Rückseite des Geräts.



### **VORSICHT! Gesundheitsgefahr**

Um eine Gefährdung durch Instabilität des Gerätes zu vermeiden, muss dieses gemäß den Anweisungen befestigt werden.

Das Kühlgerät ist für die freistehende Verwendung gebaut. Es kann auch in ein Möbel eingebaut werden, wenn die folgenden Bedingungen erfüllt sind. Nur so sind ein optimaler Betrieb und eine maximale Kühlung gewährleistet.

- Das Kühlgerät muss sorgfältig ausgerichtet werden.
- Der Abstand zwischen der Rückseite und der Wand muss mindestens 20 mm betragen.
- Die Belüftung muss wie in den Alternativen A, B, C oder D realisiert sein (Abb. **2**, Seite 3).
- Der Lüftungskanal muss einen Querschnitt von mindestens 105 mm x Breite des Kühlgeräts haben.
- Das Kühlaggregat muss komplett in den Lüftungskanal ragen. Andere Teile dürfen nicht in den Lüftungskanal ragen (Abb. **2**, Seite 3).
- Die Luft, die durch den Lüftungskanal strömt, darf nicht durch eine andere Wärmequelle erwärmt sein.
- Es dürfen nur Lüftungsgitter (optional) verwendet werden, die eine freie Querschnittsfläche von mindestens 200 cm<sup>2</sup> aufweisen.
- Bei Varianten mit Glastüren kann Feuchtigkeit auf der Tür kondensieren, wenn die Luftfeuchtigkeit mehr als 65 % bei 25 °C beträgt.
- Das Kühlgerät muss befestigt werden. Verwenden Sie dazu Schrauben mit geeigneter Länge, die durch die Befestigungsbohrungen in den Gerätefüßen geschraubt werden (Abb. **3**, Seite 3).
- Die Steckdose, an der das Gerät angeschlossen wird, muss frei zugänglich bleiben.

## 6.1 Dekorplatte austauschen

Sie können die Dekorplatte austauschen: Abb. **4** bis Abb. **7**, Seite 4.

## 6.2 Schleppbeschlag (optional) montieren

Sie können einen Schleppbeschlag montieren, mit dem sich die Tür des Kühlgeräts gleichzeitig mit der Tür des Einbauschranks öffnet: Abb. **8**, Seite 5, bis Abb. **23**, Seite 8.

## 6.3 Türanschlag wechseln

So wechseln Sie den Türanschlag: Abb. **24** bis Abb. **28**, Seite 9.

Nur für Türen mit Schleppbeschlag: Abb. **26** und Abb. **27**, Seite 9.

## 7 Bedienung



### **VORSICHT! Gesundheitsgefahr!**

Prüfen Sie bitte, ob die Kühlleistung des Gerätes den Anforderungen der Lebensmittel oder Medikamente entspricht, die Sie kühlen wollen.



### **HINWEIS**

- Bevor Sie das neue Kühlgerät in Betrieb nehmen, sollten Sie es aus hygienischen Gründen innen und außen mit einem feuchten Tuch reinigen (siehe auch „Reinigung und Pflege“ auf Seite 18).
- Einige Wassertropfen können sich im Inneren des Kühlgeräts absetzen, wenn es über einen längeren Zeitraum gekühlt hat. Dies ist kein Hinweis auf einen Defekt des Geräts. Die Feuchtigkeit in der Luft kondensiert zu Wassertropfen, wenn die Temperatur im Kühlgerät sinkt. Wischen Sie das Wasser ggf. mit einem trockenen Tuch auf.

### 7.1 Tipps zum Energiesparen

- Wählen Sie einen gut belüfteten und vor Sonnenstrahlen geschützten Einsatzort.
- Lassen Sie warme Speisen erst abkühlen, bevor Sie sie im Kühlgerät kühl halten.
- Öffnen Sie das Kühlgerät nicht häufiger als nötig.
- Lassen Sie das Kühlgerät nicht länger offen als nötig.

### 7.2 Kühlgerät benutzen



### **ACHTUNG! Beschädigungsgefahr!**

- Achten Sie darauf, dass sich nur Gegenstände bzw. Waren im Kühlgerät befinden, die auf die gewählte Temperatur gekühlt werden dürfen.
- Achten Sie darauf, dass Sie Getränke oder Speisen in Glasbehältern nicht zu stark abkühlen. Beim Gefrieren dehnen sich Getränke oder flüssige Speisen aus. Dadurch können die Glasbehälter zerstört werden.
- Achten Sie darauf, dass das Kühlgerät gut belüftet wird, damit die entzogene Wärme abgeführt werden kann, andernfalls ist eine ordnungsgemäße Funktion nicht gewährleistet. Insbesondere dürfen die Lüftungsöffnungen nicht abgedeckt werden.

**HINWEIS**

Wenn Sie das Kühlgerät längere Zeit nicht benutzen, lassen Sie die Tür etwas aufstehen, um Geruchsbildung zu vermeiden.

- ▶ Stellen Sie das Kühlgerät auf eine feste Unterlage.
- ▶ Schließen Sie das Anschlusskabel an das Wechselstromnetz an.
- ✓ Das Kühlgerät startet mit dem Kühlen des Innenraums.
- ▶ Stellen Sie den Temperaturregler (Abb. **1** 1, Seite 3) auf die gewünschte Temperatur (3 – 12 °C).
- ▶ Wenn Sie den Kühlschrank außer Betrieb nehmen, ziehen Sie das Anschlusskabel ab  
oder ...
- ▶ Drehen Sie den Temperaturregler (Abb. **1** 1, Seite 3) gegen den Uhrzeigersinn in die Position OFF.

## 8 Reinigung und Pflege

**WARNING!**

Trennen Sie vor jeder Reinigung und Pflege das Kühlgerät von der Stromversorgung.

**ACHTUNG! Beschädigungsgefahr!**

- Reinigen Sie das Kühlgerät niemals unter fließendem Wasser oder gar im Spülwasser.
- Verwenden Sie zur Reinigung keine scharfen Reinigungsmittel oder harten Gegenstände, da diese das Kühlgerät beschädigen können.

- ▶ Verwenden Sie ein weiches Tuch, lauwarmes Wasser und einen milden Reiniger oder Spülmittel, um das Innere des Kühlgerätes zu reinigen.
- ▶ Reiben Sie das Kühlgerät mit klarem Wasser aus und trocknen Sie es gründlich.
- ▶ Entfernen Sie von Zeit zu Zeit mit einer Bürste oder einem weichen Tuch den Staub vom Kühlaggregat auf der Rückseite des Kühlgerätes.

## 8.1 Austausch des Leuchtmittels



### WARNUNG!

Trennen Sie das Gerät stets von der Spannungsversorgung, bevor Sie das Leuchtmittel austauschen.

Das Gerät wird mithilfe einer LED-Platine beleuchtet. Sie können eine neue LED-Platine bei Dometic erwerben.

➤ Gehen Sie zum Austausch des LED-Leuchtmittels wie folgt vor: Abb. **29**, Seite 10

## 9 Störungsbeseitigung

Problem	Mögliche Ursache	Lösungsvorschlag
Gerät kühlt nicht (das Kühlaggregat an der Rückwand des Geräts ist kalt).	Das Gerät ist nicht eingesteckt.	Stecken Sie den Netzstecker des Geräts ein.
	Wechselspannungssteckdose führt keine Spannung.	Prüfen Sie die Sicherung oder schließen Sie das Gerät an eine andere Steckdose an.
	Das Gerät befindet sich in der Abtauphase.	Prüfen Sie nach 2 Stunden erneut, ob das Gerät kühlt (die Abtauphase dauert 2 Stunden).
	Die Elektronik oder der Sensor ist defekt.	Die Reparatur darf nur von einem zugelassenen Kundendienstbetrieb durchgeführt werden.
	Das Heizelement ist defekt.	Die Reparatur darf nur von einem zugelassenen Kundendienstbetrieb durchgeführt werden.
Gerät kühlt nicht (das Kühlaggregat an der Rückwand des Geräts ist warm).	Das Gerät steht nicht waagrecht.	Stellen Sie das Gerät mithilfe einer Wasserwaage waagrecht auf.
	Das Gerät wurde erst vor kurzer Zeit eingeschaltet.	Lassen Sie das Gerät 5 bis 6 Stunden laufen.
	Das Kühlaggregat ist defekt.	Die Reparatur darf nur von einem zugelassenen Kundendienstbetrieb durchgeführt werden.



Problem	Mögliche Ursache	Lösungsvorschlag
Die Kühlleistung des Geräts ist schlecht.	Das Kühlaggregat wird nicht ausreichend belüftet.	Stellen Sie sicher, dass die Lüftungsgitter nicht abgedeckt sind. <hr/> Stellen Sie sicher, dass das Gerät gemäß Abb. <b>2</b> , Seite 3 aufgebaut wurde.
	Das Gerät ist Hitze oder direktem Sonnenlicht ausgesetzt.	Stellen Sie das Gerät an einem anderen Standort auf.
	Die Tür des Geräts schließt nicht richtig.	Prüfen Sie den korrekten Einbau der Tür. Bei Bedarf kann durch einen zugelassenen Kundendienstbetrieb eine neue Türdichtung montiert werden.
	Das Gerät war bis vor kurzem eingelagert.	Prüfen Sie die Temperatur nach 5 bis 6 Stunden.
Im Gerät bildet sich eine Reifschicht.	Die Tür des Geräts schließt nicht richtig.	Prüfen Sie den korrekten Einbau der Tür. Bei Bedarf kann durch einen zugelassenen Kundendienstbetrieb eine neue Türdichtung montiert werden.




## 10 Entsorgung




- Geben Sie das Verpackungsmaterial möglichst in den entsprechenden Recycling-Müll.



Wenn Sie das Produkt endgültig außer Betrieb nehmen, informieren Sie sich bitte beim nächsten Recyclingcenter oder bei Ihrem Fachhändler über die zutreffenden Entsorgungsvorschriften.

# 11 Technische Daten

	<b>RH430LD</b>	<b>RH430LG</b>	<b>RH440LD</b>
Bruttoinhalt:	30 l		40 l
Anschlussspannung:	220 – 240 V~, 50/60 Hz		
Leistungsaufnahme:	65 W		
Temperaturbereich:	+3 °C bis +12 °C		
Kategorie:	2 (Keller)		
Energieeffizienzklasse:	D	F	D
Energieverbrauch (kWh/Jahr):	260	365	266
Nettoinhalt:	26 l	27 l	36 l
Klimaklasse:	N, T		
Kältemittelmenge:	100 g		
Umgebungstemperatur:	+16 °C bis +32 °C		
Geräuschemission (Schallpegel):	0 dB		
Abmessungen (B x T x H):	384 x 410 x 522	384 x 420 x 522	401 x 446 x 554
Gewicht:	13,95 kg	16,7 kg	15 kg
Prüfung/Zertifikat:	  		

	<b>RH440LG</b>	<b>RH460LD</b>	<b>RH460LG</b>
Bruttoinhalt:	40 l	60 l	
Anschlussspannung:	220 – 240 V~, 50/60 Hz		
Leistungsaufnahme:	65 W	80 W	
Temperaturbereich:	+3 °C bis +12 °C		
Kategorie:	2 (Keller)		
Energieeffizienzklasse:	F	F	G
Energieverbrauch (kWh/Jahr):	365	372	449
Nettoinhalt:	37 l	55 l	56 l
Klimaklasse:	N, T		
Kältemittelmenge:	100 g		
Umgebungstemperatur:	+16 °C bis +32 °C		
Geräuschemission (Schallpegel):	0 dB		
Abmessungen (B x T x H):	401 x 456 x 554	486 x 474 x 563	486 x 484 x 563
Gewicht:	18,4 kg	17,95 kg	22,15 kg
Prüfung/Zertifikat:	  		

**Veillez lire ce manuel avec attention avant de mettre l'appareil en service. Conservez ensuite ce manuel. En cas de passer de l'appareil, veuillez le transmettre au nouvel acquéreur.**

Le fabricant décline toute responsabilité en cas de dommages provoqués par une **utilisation non-conforme de l'appareil** ou **par des erreurs de manipulation**.

## Sommaire

1	Symboles . . . . .	36
2	Consignes de sécurité . . . . .	37
3	Usage conforme . . . . .	40
4	Contenu de la livraison . . . . .	40
5	Description technique . . . . .	40
6	Montage . . . . .	41
7	Utilisation . . . . .	42
8	Entretien et nettoyage . . . . .	44
9	Guide de dépannage . . . . .	45
10	Retraitement . . . . .	46
11	Caractéristiques techniques . . . . .	47

## 1 Symboles



### **DANGER !**

**Consigne de sécurité** signalant une situation dangereuse qui entraîne la mort ou de graves blessures si elle n'est pas évitée.



### **AVERTISSEMENT !**

**Consigne de sécurité** signalant une situation dangereuse qui peut entraîner la mort ou de graves blessures si elle n'est pas évitée.

**ATTENTION !**

**Consigne de sécurité** signalant une situation dangereuse qui peut entraîner des blessures de gravité moyenne ou légère si elle n'est pas évitée.

**AVIS !**

Remarque signalant une situation qui peut entraîner des dommages matériels si elle n'est pas évitée.

**REMARQUE**

Informations complémentaires sur l'utilisation du produit.

## 2 Consignes de sécurité

### 2.1 Sécurité générale



**DANGER ! Le non-respect de cette mise en garde entraînera des blessures graves, voire mortelles.**

**Danger de mort par électrocution**

- Sur les bateaux : veillez à ce que votre alimentation électrique soit sécurisée par un disjoncteur différentiel si l'appareil est branché sur le secteur.



**AVERTISSEMENT ! Le non-respect de ces mises en garde peut entraîner des blessures graves, voire mortelles.**

**Danger de mort par électrocution**

- Faire exécuter les installations dans des pièces humides et dans des zones exposées à l'eau uniquement par un spécialiste.
- Si l'appareil présente des dégâts visibles, vous ne devez pas le mettre en service.
- Si le câble de raccordement de l'appareil est endommagé, il doit être remplacé par le fabricant, son service après-vente ou une personne de qualification similaire, afin d'éviter tout danger.
- Seul un personnel qualifié est habilité à effectuer des réparations sur l'appareil. Toute réparation mal effectuée risquerait d'entraîner de graves dangers.

**Risque pour la santé**

- Cet appareil peut être utilisé par des enfants âgés de 8 ans et plus et des personnes ayant des capacités physiques, sensorielles ou mentales réduites ou un manque d'expérience et de connaissances, s'ils sont sous surveillance ou ont reçu des instructions sur l'utilisation de l'appareil en toute sécurité et comprennent les risques impliqués.
- Les enfants ne doivent pas jouer avec cet appareil.
- Le nettoyage et la maintenance ne doivent pas être effectués par des enfants sans surveillance.
- Les enfants âgés de 3 à 8 ans peuvent charger et décharger les appareils de réfrigération

**Risque d'explosion**

- Ne stockez aucune substance explosive comme p. ex. des aérosols contenant des agents propulseurs dans l'appareil.



**ATTENTION ! Le non-respect de ces mises en garde peut entraîner des blessures légères ou de gravité modérée.**

**Risque d'écrasement**

- Ne touchez pas la charnière.

**Risque pour la santé**

- Les produits alimentaires doivent être conservés dans leurs emballages originaux ou dans des récipients appropriés.

**AVIS ! Risque d'endommagement**

- Vérifiez que la tension indiquée sur la plaque signalétique correspond à l'alimentation électrique dont vous disposez.
- Ne tirez jamais sur le câble de raccordement pour sortir la fiche de la prise.
- N'utilisez pas le réfrigérateur pour le stockage de produits corrosifs ou de solvants !
- Veillez à ce que l'ouverture d'évacuation soit toujours propre.
- N'ouvrez jamais le circuit frigorifique.
- Ne transportez jamais l'appareil en position horizontale afin que l'huile ne puisse pas s'écouler du compresseur.
- Lors du transport, veillez à ne pas endommager le circuit frigorifique. Le réfrigérant du circuit frigorifique s'enflamme facilement.  
En cas d'endommagement du circuit frigorifique :
  - évitez tout feu ouvert et toute étincelle.
  - Aérez bien la pièce.

- Installez l'appareil dans un endroit sec et à l'abri des éclaboussures d'eau.

## 2.2 Consignes de sécurité concernant le fonctionnement de l'appareil



**DANGER ! Le non-respect de cette mise en garde entraînera des blessures graves, voire mortelles.**

### **Danger de mort par électrocution**

- Ne touchez jamais les lignes électriques dénudées avec les mains nues.



**ATTENTION ! Le non-respect de ces mises en garde peut entraîner des blessures légères ou de gravité modérée.**

### **Danger de mort par électrocution**

- Avant de mettre l'appareil en service, assurez-vous que la ligne d'alimentation électrique et le connecteur sont secs.

### **Risque pour la santé**

- Si la porte reste ouverte pendant une longue durée, la température risque d'augmenter considérablement dans les compartiments de l'appareil.
- Nettoyez régulièrement les surfaces qui entrent en contact avec les aliments, ainsi que les systèmes de drainage accessibles.
- Stockez la viande et le poisson crus dans des récipients appropriés afin qu'ils n'entrent pas en contact avec d'autres aliments qui se trouvent dans l'appareil ou ne risquent pas de couler dessus.
- Si l'appareil reste vide pendant une longue période :
  - Éteignez l'appareil.
  - Dégivrez l'appareil.
  - Nettoyez et séchez l'appareil.
  - Laissez la porte ouverte pour éviter la formation de moisissures à l'intérieur de l'appareil.



### **AVIS ! Risque d'endommagement**

- N'exploitez aucun appareil électrique dans le réfrigérateur, sauf s'ils sont recommandés par le fabricant pour cet usage.
- Ne placez pas l'appareil près de flammes ou d'autres sources de chaleur (chauffage, rayons solaires, fours à gaz etc.).

- **Risque de surchauffe**

Veillez toujours à ce que la chaleur produite lors du fonctionnement puisse se dissiper suffisamment. Veillez à ce que l'appareil se trouve à distance suffisante des murs ou des objets, de sorte que l'air puisse circuler.

- Assurez-vous que les ouvertures d'aération ne sont pas recouvertes.
- Ne remplissez pas le bac intérieur de substances liquides ou de glace.
- Ne plongez jamais l'appareil dans l'eau.
- Tenez l'appareil et les câbles à l'abri de la chaleur et de l'humidité.
- Veillez à ce que la nourriture ne touche pas les parois du compartiment de réfrigération.

### 3 Usage conforme

L'appareil de réfrigération convient à la réfrigération des boissons et snacks.

L'appareil est conçu pour une utilisation avec une alimentation secteur de 220 – 240 V~.



#### **ATTENTION ! Risque pour la santé**

Veillez vérifier si la puissance frigorifique de l'appareil correspond à la température de conservation recommandée pour les aliments ou les médicaments que vous souhaitez conserver au frais.

### 4 Contenu de la livraison

Quantité	Désignation
1	Minibar
1	Notice de montage et d'utilisation

### 5 Description technique

L'appareil de réfrigération peut refroidir les produits à un maximum de 21 °C (RH430LD, RH440LD, RH460LD uniquement) ou 18 °C (RH430LG, RH440LG, RH460LG uniquement) en dessous de la température ambiante et les maintenir au frais. Une grille de séparation peut être utilisée pour séparer des produits alimentaires, p. ex. bouteilles et sucreries.



## Élément de commande

Pos. dans fig. <b>1</b> , page 3	Description
1	Régulateur de température

### Fonction de dégivrage

Du givre se forme graduellement sur les surfaces de refroidissement. Pour éviter cette formation de givre, l'appareil a pour fonction d'éteindre le groupe frigorifique pendant deux heures toutes les 24 heures.

Pendant la phase de dégivrage de deux heures, le givre fond et l'eau de dégivrage s'écoule dans un récipient d'évaporation situé à l'arrière du réfrigérateur. L'eau de dégivrage s'évapore automatiquement de sorte que le récipient n'a pas besoin d'être vidé manuellement.

## 6 Montage



### AVERTISSEMENT! Choc électrique !

Le non-respect de ces instructions peut entraîner des blessures graves, voire mortelles.

- Veillez à ne pas coincer ni endommager le cordon d'alimentation lors de la mise en place de l'appareil.
- Ne placez pas de multiprises portables ou de blocs d'alimentation portables à l'arrière de l'appareil.



### ATTENTION ! Risque pour la santé

Pour éviter tout risque dû à l'instabilité de l'appareil, celui-ci doit être fixé conformément aux instructions.

L'appareil de réfrigération est conçu pour une utilisation autonome. Il peut également être encastré dans un meuble si les conditions suivantes sont remplies. C'est le seul moyen de garantir un fonctionnement optimal et une réfrigération maximale.

- L'appareil de réfrigération doit être soigneusement orienté.
- L'écart entre l'arrière de l'appareil et la paroi doit être d'au moins 20 mm.
- L'aération doit être réalisée selon les alternatives A, B, C ou D (fig. **2**, page 3).
- La canalisation d'aération doit avoir une section d'au moins 105 mm x la largeur de l'équipement de réfrigération.

- Le groupe de froid doit être complètement intégré dans la canalisation d'aération. Aucune autre pièce ne doit se trouver dans la canalisation d'aération (fig. **2**, page 3).
- L'air passant par la canalisation d'aération ne doit pas être chauffé par une autre source de chaleur.
- Seules des grilles d'aération (en option) présentant une surface de section libre d'au moins 200 cm<sup>2</sup> doivent être utilisées.
- Pour les variantes à portes de verre, l'humidité peut se condenser sur la porte si l'humidité de l'air est supérieure à 65 % à 25 °C.
- L'appareil de réfrigération doit être fixé. Utilisez des vis d'une longueur appropriée et introduisez-les dans les pieds de l'appareil (fig. **3**, page 3).
- La prise à laquelle l'appareil est raccordé doit rester facilement accessible.

## 6.1 Changement de la plaque décor

Vous pouvez changer la plaque décor : fig. **4** à fig. **7**, page 4.

## 6.2 Montage (optionnel) de la ferrure coulissante

Vous pouvez monter une ferrure coulissante permettant d'ouvrir simultanément la porte de l'appareil de réfrigération et celle de l'armoire encastrée : fig. **8**, page 5, jusqu'à fig. **23**, page 8.

## 6.3 Modification du côté d'ouverture de la porte

Pour changer le côté d'ouverture de la porte : fig. **24** à fig. **28**, page 9.  
Uniquement pour portes avec ferrure coulissante : fig. **26** et fig. **27**, page 9.

# 7 Utilisation



### **ATTENTION ! Risque pour la santé**

Veuillez vérifier si la puissance frigorifique de l'appareil correspond à la température de conservation recommandée pour les aliments ou les médicaments que vous souhaitez conserver au frais.

**REMARQUE**

- Avant la mise en service de l'appareil neuf, nous vous conseillons, pour des raisons d'hygiène, d'en nettoyer l'intérieur et l'extérieur à l'aide d'un tissu humide (voir aussi « Nettoyage et entretien » à la page 18).
- Si quelques gouttes d'eau se forment à l'intérieur de l'appareil de réfrigération après une longue période de refroidissement, l'appareil de réfrigération n'est pas défectueux. L'humidité de l'air se condense en eau lorsque la température diminue dans l'appareil de réfrigération. Essuyez l'eau avec un chiffon sec si nécessaire.

## 7.1 Comment économiser de l'énergie ?

- Choisissez un emplacement bien aéré et à l'abri du soleil.
- Laissez refroidir les aliments chauds avant de les déposer dans la glacière.
- Ne pas ouvrir la glacière plus souvent que nécessaire.
- Ne laissez pas la glacière ouverte plus longtemps que nécessaire.

## 7.2 Utilisation de l'appareil de réfrigération

**AVIS ! Risque d'endommagement !**

- Veillez à ne déposer dans l'appareil de réfrigération que des objets ou des aliments qui peuvent être réfrigérés à la température sélectionnée.
- Veillez à ce que les boissons ou aliments placés dans des récipients en verre ne soient pas soumis à des températures trop basses. En gelant, le volume des boissons et aliments liquides augmente. Les récipients en verre risquent alors de se casser.
- Veillez à ce que l'appareil soit bien ventilé afin que la chaleur dégagée soit évacuée. Sinon, un fonctionnement correct n'est pas garanti. Les orifices d'aération, en particulier, ne doivent pas être recouverts.

**REMARQUE**

Si vous n'utilisez pas l'appareil de réfrigération pendant une durée prolongée, laissez la porte entrouverte afin d'éviter la formation d'odeurs.

- Placez l'appareil sur une surface stable.
- Raccordez le câble de raccordement au courant alternatif.

- ✓ L'appareil commence par la réfrigération du compartiment intérieur.
- Placez le régulateur de température (fig. **1** 1, page 3) sur la température souhaitée (3 – 12 °C).
- Lorsque vous désirez mettre le réfrigérateur hors service, débranchez le câble de raccordement  
ou...
- Tournez le régulateur de température (fig. **1** 1, page 3) dans le sens inverse des aiguilles d'une montre, pour le placer sur la position OFF.

## 8 Entretien et nettoyage



### AVERTISSEMENT !

Avant toute opération de nettoyage ou d'entretien de l'équipement de réfrigération, veillez à débrancher celui-ci de l'alimentation électrique.



### AVIS ! Risque d'endommagement !

- Ne nettoyez jamais l'appareil à l'eau courante et ne le plongez jamais dans l'eau.
- N'utilisez pas de produits de lavage abrasifs ou d'objets durs pour le nettoyage car ceux-ci pourraient endommager l'appareil.

- Utilisez un chiffon doux, de l'eau tiède et un détergent doux ou du liquide vaisselle pour nettoyer l'intérieur de l'appareil de réfrigération.
- Frottez l'appareil de réfrigération à l'eau claire et séchez le méticuleusement.
- De temps à autre, retirez avec une brosse ou un chiffon doux la poussière du groupe de froid à l'arrière de l'appareil de réfrigération.

### 8.1 Changer la lumière de l'appareil



#### AVERTISSEMENT!

Avant de changer la lumière de l'appareil, veillez à débrancher celui-ci du secteur.

L'appareil utilise une carte LED comme éclairage. Il est possible d'obtenir une nouvelle carte LED auprès de Dometic.

- Changez la lumière LED comme suit : fig. **29**, page 10

## 9 Guide de dépannage

Problème	Cause possible	Solution proposée
L'appareil ne refroidit pas (le groupe frigorifique à l'arrière de l'appareil est froid).	La fiche de l'appareil n'est pas branchée.	Branchez la fiche de l'appareil.
	La prise de tension alternative n'est pas sous tension.	Vérifiez le fusible ou essayez d'utiliser une autre prise.
	L'appareil est en phase de dégivrage.	Vérifiez à nouveau si l'appareil refroidit après 2 heures car la phase de dégivrage dure 2 heures.
	Le système électronique ou le capteur est défectueux.	La réparation doit être effectuée uniquement par un service après-vente agréé.
L'appareil ne refroidit pas (le groupe frigorifique à l'arrière de l'appareil est chaud).	L'élément de chauffage est défectueux.	La réparation doit être effectuée uniquement par un service après-vente agréé.
	L'appareil n'est pas à l'horizontale.	Mettez l'appareil à niveau en utilisant un niveau à bulle.
	L'appareil n'a été allumé que récemment.	Laissez l'appareil fonctionner 5 à 6 heures.
	Le groupe frigorifique est défectueux.	La réparation doit être effectuée uniquement par un service après-vente agréé.

Problème	Cause possible	Solution proposée
Les performances de refroidissement de l'appareil sont médiocres.	La ventilation du groupe frigorifique n'est pas suffisante.	Vérifiez que les grilles d'aération sont libres. Vérifiez que l'appareil a été installé conformément à fig. <b>2</b> , page 3.
	L'appareil est exposé à la chaleur ou à la lumière directe du soleil.	Changez l'appareil de place.
	La porte de l'appareil ne ferme pas hermétiquement.	Vérifiez si la porte est correctement installée. Un centre de réparation agréé peut installer un nouveau joint de porte si nécessaire.
	L'appareil était stocké il y a peu de temps.	Vérifiez la température après 5 à 6 heures.
Du givre se forme à l'intérieur de l'appareil.	La porte de l'appareil ne ferme pas hermétiquement.	Vérifiez si la porte est correctement installée. Un centre de réparation agréé peut installer un nouveau joint de porte si nécessaire.




## 10 Retraitement




- Jetez les emballages dans les conteneurs de déchets recyclables prévus à cet effet.



Lorsque vous mettez votre produit définitivement hors service, informez-vous auprès du centre de recyclage le plus proche ou auprès de votre revendeur spécialisé sur les prescriptions relatives au retraitement des déchets.

# 11 Caractéristiques techniques

	<b>RH430LD</b>	<b>RH430LG</b>	<b>RH440LD</b>
Capacité :	30 l		40 l
Tension de raccordement :	220 – 240 V~, 50/60 Hz		
Puissance absorbée :	65 W		
Plage de température :	+3 °C à +12 °C		
Catégorie :	2 (cave)		
Classe d'efficacité énergétique :	D	F	D
Consommation d'énergie (kWh / an) :	260	365	266
Capacité utilisable :	26 l	27 l	36 l
Classe climatique :	N, T		
Quantité de réfrigérant :	100 g		
Température ambiante	+16 °C à +32 °C		
Émission de bruit (puissance sonore) :	0 dB		
Dimensions (l x p x h) :	384 x 410 x 522	384 x 420 x 522	401 x 446 x 554
Poids :	13,95 kg	16,7 kg	15 kg
Contrôle / certificat :	  		

	<b>RH440LG</b>	<b>RH460LD</b>	<b>RH460LG</b>
Capacité :	40 l	60 l	
Tension de raccordement :	220 – 240 V~, 50/60 Hz		
Puissance absorbée :	65 W	80 W	
Plage de température :	+3 °C à +12 °C		
Catégorie :	2 (cave)		
Classe d'efficacité énergétique :	F	F	G
Consommation d'énergie (kWh / an) :	365	372	449
Capacité utilisable :	37 l	55 l	56 l
Classe climatique :	N, T		
Quantité de réfrigérant :	100 g		
Température ambiante	+16 °C à +32 °C		
Émission de bruit (puissance sonore) :	0 dB		
Dimensions (l x p x h) :	401 x 456 x 554	486 x 474 x 563	486 x 484 x 563
Poids :	18,4 kg	17,95 kg	22,15 kg
Contrôle / certificat :	  		



**Lea atentamente este manual antes de la puesta en funcionamiento del aparato y consérvelo en un lugar seguro para futuras consultas. En caso de vender o entregar el aparato a otra persona, entregue también estas instrucciones.**

El fabricante declina toda responsabilidad por los daños causados por **el uso inadecuado** o por el **uso incorrecto** del aparato.

## Índice

1	Explicación de los símbolos . . . . .	49
2	Indicaciones de seguridad . . . . .	50
3	Uso adecuado . . . . .	53
4	Suministro de entrega . . . . .	53
5	Descripción técnica . . . . .	54
6	Montaje . . . . .	54
7	Manejo . . . . .	56
8	Limpieza y mantenimiento . . . . .	57
9	Solución de averías . . . . .	58
10	Gestión de residuos . . . . .	59
11	Datos técnicos . . . . .	60

## 1 Explicación de los símbolos



### ¡PELIGRO!

**Aviso de seguridad** sobre una situación de peligro que, si no se evita, es causa de muerte o heridas graves.



### ¡ADVERTENCIA!

**Aviso de seguridad** sobre una situación de peligro que, si no se evita, puede causar la muerte o heridas graves.

**¡ATENCIÓN!**

**Aviso de seguridad** sobre una situación de peligro que, si no se evita, puede causar heridas leves o de consideración.

**¡AVISO!**

Aviso sobre una situación que, si no se evita, puede causar daños materiales.

**NOTA**

Información complementaria para el manejo del producto.

## 2 Indicaciones de seguridad

### 2.1 Seguridad general



**¡PELIGRO! El incumplimiento de estas advertencias puede acarrear la muerte o lesiones graves.**

**Peligro de muerte por descarga eléctrica**

- En embarcaciones: en caso de funcionamiento conectado a la red eléctrica, asegúrese de que el suministro de corriente esté protegido con un interruptor diferencial.



**¡ADVERTENCIA! El incumplimiento de estas advertencias podría acarrear la muerte o lesiones graves.**

**Peligro de muerte por descarga eléctrica**

- Las instalaciones en recintos húmedos y zonas expuestas al agua deberán realizarlas exclusivamente técnicos especializados.
- No ponga el aparato en funcionamiento si presenta desperfectos visibles.
- Si se daña el cable de conexión del aparato, el fabricante, su servicio de atención al cliente o una persona cualificada debe reemplazarlo para evitar así posibles peligros.
- Solo personal especializado puede realizar reparaciones en el aparato. Las reparaciones que se realicen incorrectamente pueden dar lugar a situaciones de considerable peligro.

**Riesgo para la salud**

- Este aparato puede ser utilizado por menores a partir de 8 años y personas con capacidad física, sensorial o mental reducida, o con falta de experiencia y conocimientos, siempre que lo hagan bajo supervisión o hayan recibido instrucciones relativas al uso del mismo de manera segura y entendiendo los riesgos asociados.
- No deje que los niños jueguen con el aparato.
- Los niños solo podrán realizar las tareas de limpieza y mantenimiento bajo vigilancia.
- Los menores de 3 a 8 años pueden meter y sacar artículos de la nevera.

**Peligro de explosión**

- No guarde en el aparato sustancias con peligro de explosión como, p. ej., sprays con gases combustibles.



**¡ATENCIÓN! El incumplimiento de estas precauciones podría acarrear lesiones moderadas o leves.**

**Peligro de aplastamiento**

- No introduzca la mano en el área de acción de la bisagra.

**Riesgo para la salud**

- Los alimentos solo se pueden guardar en los envases originales o en recipientes adecuados.



**¡AVISO! Peligro de ocasionar daños materiales**

- Compare el valor de tensión indicado en la placa de características con el suministro de energía existente.
- No desenchufe nunca el cable de conexión tirando de él.
- Esta nevera no es apta para almacenar sustancias corrosivas o que contengan disolventes.
- Mantenga siempre limpias las aberturas de descarga.
- No abra nunca el circuito de refrigeración.
- No transporte nunca el aparato en posición horizontal para así evitar que el aceite salga del compresor.
- Al transportarla, asegúrese de no dañar el circuito de refrigeración. El refrigerante del circuito de refrigeración es muy inflamable.  
En caso de daños en el circuito de refrigeración:
  - evite las llamas abiertas y las chispas.
  - Ventile bien la habitación.

- Coloque el aparato en un lugar seco y protegido contra posibles salpicaduras de agua.

## 2.2 Seguridad durante el funcionamiento del aparato



**¡PELIGRO! El incumplimiento de estas advertencias puede acarrear la muerte o lesiones graves.**

### **Peligro de muerte por descarga eléctrica**

- No toque directamente con las manos cables sin aislamiento.



**¡ATENCIÓN! El incumplimiento de estas precauciones podría acarrear lesiones moderadas o leves.**

### **Peligro de muerte por descarga eléctrica**

- Antes de la puesta en funcionamiento, asegúrese de que el cable de alimentación y la clavija de enchufe estén secos.

### **Riesgo para la salud**

- Si mantiene la puerta abierta durante demasiado tiempo, la temperatura de los compartimentos del aparato puede aumentar considerablemente.
- Limpie periódicamente las superficies que puedan estar en contacto con alimentos y los sistemas de desagüe accesibles.
- Guarde la carne y el pescado crudos en recipientes adecuados dentro del aparato para que no entren en contacto con otros alimentos ni goteen sobre estos.
- Si el aparato va a estar vacío durante un período prolongado:
  - Desconéctelo.
  - Descongélelo.
  - Límpielo y séquelo.
  - Deje la puerta abierta para evitar que se forme moho en el aparato.



### **¡AVISO! Peligro de ocasionar daños materiales**

- No utilice ningún aparato eléctrico dentro del enfriador, a no ser que el aparato en cuestión haya sido recomendado para ello por el fabricante.
- No coloque el aparato cerca de llamas abiertas ni de otras fuentes de calor (calefacción, radiación directa del sol, estufas de gas, etc.).

- **¡Peligro de sobrecalentamiento!**  
Asegúrese de que quede constantemente garantizada una salida adecuada del calor que se desprende durante el funcionamiento. Asegúrese también de que el aparato guarde la suficiente distancia respecto a paredes u objetos, de forma que el aire pueda circular.
- Evite que se obstruyan las aberturas de ventilación.
- No introduzca líquidos ni hielo en el recipiente interior.
- No sumerja nunca el aparato en agua.
- Proteja el aparato y los cables del calor y de la humedad.
- Preste atención a que los alimentos no toquen ninguna pared del interior de la nevera.

### 3 Uso adecuado

Esta nevera es apta para enfriar bebidas y refrigerios.

Este aparato está diseñado para utilizar con una red eléctrica de 220 – 240 V~ .



#### **¡ATENCIÓN! ¡Riesgo para la salud!**

Compruebe si la potencia de refrigeración del aparato cumple los requisitos de los alimentos o medicamentos que desea enfriar.

### 4 Suministro de entrega

Cantidad	Denominación
1	Minibar
1	Instrucciones de montaje y de uso

## 5 Descripción técnica

Este aparato de refrigeración puede enfriar productos hasta un máximo de 21 °C (RH430LD, RH440LD, RH460LD only) o 18 °C (solo RH430LG, RH440LG, RH460LG) de temperatura ambiente y mantenerlos fríos. Se puede usar una rejilla separadora para separar alimentos (p.ej., botellas y confitería).

### Elemento de mando

Pos. en fig. 1, página 3	Descripción
1	Regulador de temperatura

### Función de descongelación

En las superficies refrigerantes se puede formar escarcha gradualmente. Para evitar esta formación de escarcha, el aparato dispone de una función que desconecta la unidad de refrigeración durante dos horas al día.

Durante la fase de descongelación de dos horas, la escarcha se derrite y el agua resultante pasa a un compartimento de evaporación situado en la parte inferior trasera de la nevera. El agua de descongelación se evapora automáticamente y el compartimento no se tiene que vaciar manualmente.

## 6 Montaje



### ¡ADVERTENCIA! Peligro de descarga eléctrica.

El incumplimiento de estas instrucciones puede causar la muerte o lesiones graves.

- Al colocar el aparato, asegúrese de que el cable de suministro eléctrico no se haya quedado atrapado o esté dañado.
- No coloque varias tomas o suministros de corriente portátiles detrás del aparato.



### ¡ATENCIÓN! Riesgo para la salud

Para evitar peligros causados por la inestabilidad del aparato, este deberá fijarse tal como se indica en las instrucciones.

La nevera está diseñada para un montaje exento. Pero también se puede empotrar en muebles si se dan las siguientes condiciones. Solo así queda garantizado un funcionamiento óptimo y una refrigeración máxima.

- La nevera se debe nivelar cuidadosamente.
- La distancia entre la parte posterior y la pared del mueble debe ser de, al menos, 20 mm.
- La ventilación debe estar ejecutada como en las alternativas A, B, C o D (fig. **2**, página 3).
- El canal de ventilación debe tener una sección de por lo menos 105 mm x la anchura de la nevera.
- La unidad frigorífica en su totalidad debe encontrarse en el canal de ventilación. Ninguna otra parte debe encontrarse en el canal de ventilación (fig. **2**, página 3).
- El aire que circula por el canal de ventilación no lo debe calentar ninguna otra fuente de calor.
- Únicamente está permitido utilizar rejillas de ventilación (opcionales) con una superficie de sección libre de, al menos, 200 cm<sup>2</sup>.
- En las variantes con puertas de cristal puede ocurrir que se condense humedad en la puerta si la humedad del aire es superior a un 65 % a una temperatura de 25 °C.
- La nevera debe estar fijada. Utilice tornillos de longitud adecuada e introdúzcalos en los pies del aparato (fig. **3**, página 3).
- No debe quedar obstaculizado el acceso a la toma de corriente a la que se enchufe el aparato.

## 6.1 Cambio de la placa decorativa

Se puede cambiar la placa decorativa: fig. **4** hasta fig. **7**, página 4.

## 6.2 Montaje de la bisagra de arrastre (opcional)

Se puede montar una bisagra de arrastre para abrir la puerta del elemento de refrigeración junto con la del armario en el que está empotrado. fig. **8**, página 5, hasta fig. **23**, página 8.

## 6.3 Cambio del lado de apertura de la puerta

Para cambiar el lado de apertura de la puerta: fig. **24** hasta fig. **28**, página 9. Solo para puertas con bisagra de arrastre: fig. **26** y fig. **27**, página 9.

## 7 Manejo



### ¡ATENCIÓN! ¡Riesgo para la salud!

Compruebe si la potencia de refrigeración del aparato cumple los requisitos de los alimentos o medicamentos que desea enfriar.



### NOTA

- Por razones de higiene, debería limpiar la nevera por dentro y por fuera con un paño húmedo antes de ponerla en funcionamiento (ver también “Limpieza y cuidado” en la página 18).
- Si se forman algunas gotas de agua dentro de la nevera después de haber estado enfriando durante un largo período, no significa que el aparato esté estropeado. La humedad del aire se convierte en agua cuando la temperatura del aparato de refrigeración baja. Si es necesario, seque las gotas con un paño seco.

### 7.1 Consejos para el ahorro de energía

- Elija un lugar de emplazamiento correctamente ventilado y protegido de la radiación solar.
- Antes de introducir alimentos calientes, deje que se enfríen.
- Evite abrir la nevera más de lo necesario.
- No deje la nevera abierta más tiempo del que sea necesario.

### 7.2 Uso de la nevera



### ¡AVISO! ¡Peligro de ocasionar daños materiales!

- Asegúrese de que en la nevera sólo se encuentren objetos o productos que puedan enfriarse a la temperatura seleccionada.
- Asegúrese de que las bebidas o los alimentos envasados en recipientes de cristal no se enfríen demasiado. Cuando las bebidas o alimentos líquidos se congelan, se dilatan. Esto podría provocar que los recipientes de cristal estallasen.
- Preste atención a que la nevera esté suficientemente ventilada para así poder evacuar el calor extraído. De lo contrario no se garantiza un funcionamiento correcto. En especial no deben obstruirse las aberturas de ventilación.



**NOTA**

Cuando no vaya a utilizar la nevera durante un tiempo prolongado, deje la puerta ligeramente entornada para evitar la formación de olores.

- Coloque la nevera sobre una base firme.
- Conecte el cable de conexión a la red de corriente alterna.
- ✓ La nevera empieza a enfriar el interior.
- Ajuste el regulador de temperatura (fig. **1** 1, página 3) a la temperatura que desee (3 – 12 °C).
- Cuando vaya a dejar la nevera fuera de funcionamiento, desenchufe el cable de conexión.
  - bien
- Gire el regulador de temperatura (fig. **1** 1, página 3) a la posición OFF en sentido antihorario.

## 8 Limpieza y mantenimiento

**¡ADVERTENCIA!**

Antes de proceder a cualquier trabajo de limpieza o mantenimiento, desenchufe la nevera de la alimentación de corriente.

**¡AVISO! ¡Peligro de ocasionar daños materiales!**

- Nunca limpie la nevera bajo el chorro de agua corriente ni inmersa en agua jabonosa.
- Para la limpieza no emplee agentes corrosivos ni objetos duros, pues podrían deteriorar el enfriador.

- Utilice un paño suave, agua templada y un producto de limpieza o detergente de lavavajillas suave para limpiar el interior de la nevera.
- Aclare a continuación la nevera con agua limpia y séquela bien.
- De cuando en cuando, pase un cepillo o un paño suave por la unidad frigorífica en la parte posterior de la nevera para eliminar el polvo.

## 8.1 Reposición de la luz del aparato



### ¡ADVERTENCIA!

Desconecte siempre el aparato de la red de corriente antes cambiar la luz.

El aparato utiliza una placa LED como luz. En Dometic puede adquirir placas LED nuevas.

► Cambie la luz LED de la siguiente manera: fig. **29**, página 10

## 9 Solución de averías

Avería	Posible causa	Propuesta de solución
El aparato no enfría (la unidad de refrigeración situada en la parte trasera del aparato está fría).	El enchufe no está conectado.	Conecte el enchufe.
	La caja de enchufe de tensión alterna no conduce tensión.	Compruebe el fusible o utilice otra caja de enchufe.
	El aparato no está en fase de descongelación.	Deje pasar 2 horas y vuelva a comprobarlo, ya que la fase de descongelación dura 2 horas.
	La electrónica o el sensor no funcionan.	La reparación solamente la puede realizar una unidad del servicio de atención al cliente.
El aparato no enfría (la unidad de refrigeración situada en la parte trasera del aparato está caliente).	El elemento calefactor no funciona.	Solo un centro de reparación autorizado puede realizar la reparación.
	El aparato no está nivelado.	Nivele el aparato utilizando un nivel de burbuja.
	El aparato ha sido conectado hace poco tiempo.	Deje el aparato funcionando durante 5 a 6 horas.
	La unidad de refrigeración no funciona.	Solo un centro de reparación autorizado puede realizar la reparación.

Avería	Posible causa	Propuesta de solución
El rendimiento de refrigeración del aparato es bajo.	La unidad de refrigeración no está suficientemente ventilada.	<p>Asegúrese de que las rejillas de ventilación no estén obstruidas.</p> <hr/> <p>Compruebe que el aparato ha sido montado de acuerdo con fig. <b>2</b>, página 3.</p> <hr/>
	El aparato está expuesto al calor o a la luz del sol directa.	Cambie el aparato de lugar.
	La puerta del aparato no cierra bien.	Asegúrese de que la puerta esté montada correctamente. Si es necesario, un centro de reparación autorizado puede instalar un nuevo sellado de puerta.
	El aparato hace poco tiempo que ha estado almacenado.	Compruebe la temperatura pasadas 5 a 6 horas.
Se forma escarcha dentro del aparato.	La puerta del aparato no cierra bien.	Asegúrese de que la puerta esté montada correctamente. Si es necesario, un centro de reparación autorizado puede instalar un nuevo sellado de puerta.




## 10 Gestión de residuos




- Deseche el material de embalaje en el contenedor de reciclaje correspondiente.



Cuando vaya a desechar definitivamente el producto, infórmese en el centro de reciclaje más cercano o en un comercio especializado sobre las normas pertinentes de eliminación de materiales.

# 11 Datos técnicos

	<b>RH430LD</b>	<b>RH430LG</b>	<b>RH440LD</b>
Capacidad bruta:	30 l		40 l
Tensión de conexión:	220 – 240 V~, 50/60 Hz		
Consumo de corriente:	65 W		
Rango de temperatura:	de +3 °C a +12 °C		
Categoría:	2 (bodega)		
Clase de eficiencia energética:	D	F	D
Consumo energético (kWh/año):	260	365	266
Capacidad útil:	26 l	27 l	36 l
Clase climática:	N, T		
Cantidad de refrigerante:	100 g		
Temperatura ambiente:	de +16 °C a +32 °C		
Emisión de ruidos (potencia del sonido):	0 dB		
Dimensiones (A x P x H):	384 x 410 x 522	384 x 420 x 522	401 x 446 x 554
Peso:	13,95 kg	16,7 kg	15 kg
Homologación/certificado:	  		

	<b>RH440LG</b>	<b>RH460LD</b>	<b>RH460LG</b>
Capacidad bruta:	40 l	60 l	
Tensión de conexión:	220 – 240 V~, 50/60 Hz		
Consumo de corriente:	65 W	80 W	
Rango de temperatura:	de +3 °C a +12 °C		
Categoría:	2 (bodega)		
Clase de eficiencia energética:	F	F	G
Consumo energético (kWh/año):	365	372	449
Capacidad útil:	37 l	55 l	56 l
Clase climática:	N, T		
Cantidad de refrigerante:	100 g		
Temperatura ambiente:	de +16 °C a +32 °C		
Emisión de ruidos (potencia del sonido):	0 dB		
Dimensiones (A x P x H):	401 x 456 x 554	486 x 474 x 563	486 x 484 x 563
Peso:	18,4 kg	17,95 kg	22,15 kg
Homologación/certificado:	  		

**Por favor, leia atentamente este manual antes da colocação em funcionamento do aparelho e guarde-o em local seguro. Em caso de revenda do aparelho, entregue o manual ao novo comprador.**

O fabricante não se responsabiliza por danos resultantes de uma **utilização inadequada** ou de uma **operação incorrecta**.

## Índice

1	Explicação dos símbolos . . . . .	62
2	Indicações de segurança . . . . .	63
3	Utilização adequada . . . . .	66
4	Material fornecido . . . . .	66
5	Descrição técnica . . . . .	66
6	Montagem . . . . .	67
7	Utilização . . . . .	69
8	Limpeza e manutenção . . . . .	70
9	Eliminação de falhas . . . . .	71
10	Eliminação . . . . .	72
11	Dados técnicos . . . . .	73

## 1 Explicação dos símbolos



### **PERIGO!**

**Indicação de segurança** sobre uma situação de perigo que leva à morte ou a ferimentos graves se não for evitada.



### **AVISO!**

**Indicação de segurança** sobre uma situação de perigo que pode levar à morte ou a ferimentos graves se não for evitada.



### **PRECAUÇÃO!**

**Indicação de segurança** sobre uma situação de perigo que pode levar a ferimentos ligeiros ou moderados se não for evitada.

**NOTA!**

Indicação sobre uma situação que leva a danos materiais se não for evitada.

**OBSERVAÇÃO**

Informações complementares sobre a operação do produto.

## 2 Indicações de segurança

### 2.1 Segurança geral



**PERIGO! O incumprimento destes avisos resultará em morte ou ferimentos graves.**

**Perigo de morte devido a choque elétrico**

- Em barcos: em caso de funcionamento com rede elétrica, certifique-se de que a sua alimentação de corrente está protegida por um corta-circuito em caso de falha na terra.



**AVISO! O incumprimento destes avisos poderá resultar em morte ou ferimentos graves.**

**Perigo de morte devido a choque elétrico**

- Solicite que a instalação em espaços com elevado grau de humidade e áreas expostas a água seja realizada apenas por especialistas.
- Quando o aparelho apresentar danos visíveis, não deve ser colocado em funcionamento.
- Se o cabo de conexão deste aparelho se danificar, o mesmo tem de ser substituído pelo fabricante, pelo seu serviço de assistência técnica ou por uma pessoa com qualificações equivalentes para evitar perigos.
- As reparações neste aparelho apenas devem ser realizadas por técnicos devidamente qualificados. As reparações inadequadas podem levar a perigos graves.

**Risco para a saúde**

- Este aparelho pode ser utilizado por crianças a partir dos 8 anos e pessoas com capacidades físicas, sensoriais ou mentais reduzidas ou sem experiência e conhecimento se forem supervisionadas ou receberem instruções sobre a utilização do aparelho de forma segura e compreenderem os perigos implicados.

- As crianças não podem brincar com o aparelho.
- A limpeza e a manutenção por parte do utilizador não podem ser efetuadas por crianças sem supervisão.
- Crianças com idades entre os 3 e os 8 anos podem colocar e tirar itens de aparelhos frigoríficos.

**Perigo de explosão**

- Não guarde as substâncias com risco de explosão, como p.ex. latas de spray com gás carburante inflamável, no aparelho.

**PRECAUÇÃO! O incumprimento destas advertências poderá resultar em ferimentos ligeiros ou moderados.****Perigo de esmagamento**

- Não toque na dobradiça.

**Risco para a saúde**

- Os géneros alimentícios devem ser armazenados exclusivamente nas embalagens originais ou em recipientes adequados.

**NOTA! Perigo de danos**

- Compare a indicação de tensão que consta na placa de características com a alimentação de energia existente.
- Nunca retire a ficha da tomada elétrica puxando pelo cabo de conexão.
- O aparelho de refrigeração não é adequado para o armazenamento de substâncias corrosivas ou que contenham solventes.
- Mantenha a abertura do escoamento sempre limpa.
- Não abra, em caso algum, o circuito de refrigeração.
- Nunca transporte o aparelho em posição horizontal, para que não possa sair óleo do compressor.
- Durante o transporte, tenha atenção para não danificar o circuito de refrigeração. O líquido refrigerante no circuito de refrigeração é facilmente inflamável.  
Em caso de um dano do circuito de refrigeração:
  - Evite chamas abertas ou faíscas causadoras de incêndio.
  - Ventile bem o espaço.
- Coloque o aparelho num local seco e protegido contra salpicos.



## 2.2 Segurança durante o funcionamento do aparelho



**PERIGO! O incumprimento destes avisos resultará em morte ou ferimentos graves.**

### **Perigo de morte devido a choque elétrico**

- Nunca toque nos cabos não blindados apenas com as mãos.



**PRECAUÇÃO! O incumprimento destas advertências poderá resultar em ferimentos ligeiros ou moderados.**

### **Perigo de morte devido a choque elétrico**

- Antes da colocação em funcionamento, tenha atenção para que o cabo de conexão e a ficha estejam secos.

### **Risco para a saúde**

- Se a porta ficar aberta durante um longo período de tempo, a temperatura pode aumentar significativamente nos compartimentos do aparelho.
- Limpe regularmente as superfícies que entram em contacto com géneros alimentícios e os sistemas de drenagem acessíveis.
- Armazene a carne crua e o peixe cru em recipientes adequados no aparelho, de modo que não escorram sobre ou entrem em contacto com outros géneros alimentícios.
- Se o aparelho permanecer vazio durante um longo período de tempo:
  - Desligue o aparelho.
  - Descongele o aparelho.
  - Limpe e seque o aparelho.
  - Deixe a porta aberta para evitar a formação de bolor no aparelho.



### **NOTA! Perigo de danos**

- Não utilize aparelhos elétricos dentro do aparelho de refrigeração, exceto se estes aparelhos forem recomendados por isso pelo fabricante.
- Não coloque o aparelho na proximidade de chamas vivas ou outras fontes de calor (aquecimento, radiação solar intensa, fogões a gás, etc.).
- **Perigo de sobreaquecimento!**  
Tenha sempre atenção para que o calor gerado durante o funcionamento seja dissipado adequadamente. Certifique-se de que o aparelho está posicionado a uma distância suficiente de paredes ou objetos de modo a que o ar possa circular livremente.

- Tenha atenção para que as aberturas de ventilação não fiquem obstruídas.
- Não verta líquidos ou gelo para dentro do recipiente interior.
- Nunca mergulhe o aparelho em água.
- Proteja o aparelho e os cabos do calor e da humidade.
- Tenha atenção para que as refeições não entrem contacto com nenhuma parede do espaço de refrigeração.

### 3 Utilização adequada

O aparelho de refrigeração é adequado para refrigerar bebidas e lanches.

Este aparelho foi concebido para a utilização com uma fonte de alimentação de 220 – 240 V~.



#### **PRECAUÇÃO! Risco para a saúde!**

Por favor, verifique se a potência de refrigeração do aparelho cumpre os requisitos dos géneros alimentícios ou dos medicamentos que pretende refrigerar.

### 4 Material fornecido

Quantidade	Designação
1	Minibar
1	Manual de montagem e operação

### 5 Descrição técnica

O aparelho de refrigeração consegue refrigerar produtos até uma temperatura máxima de 21 °C (apenas RH430LD, RH440LD, RH460LD) ou 18 °C (apenas RH430LG, RH440LG, RH460LG) à temperatura ambiente e mantê-los frios. Uma grelha divisora pode ser utilizada para separar alimentos, por exemplo, garrafas e doces.

## Elemento de comando

N.º na fig. <b>1</b> , página 3	Designação
1	Regulador de temperatura

## Função de descongelamento

O gelo forma-se gradualmente nas superfícies de refrigeração. Para evitar esta formação de gelo, o aparelho dispõe de uma função que desliga a unidade de refrigeração durante duas horas a cada 24 horas.

Durante a fase de descongelamento de duas horas, o gelo derrete e a água de descongelamento escorre para um recipiente de evaporação que se encontra no fundo da parte traseira do frigorífico. A água de descongelamento evapora automaticamente, daí que o recipiente não tenha de ser esvaziado manualmente.

# 6 Montagem



### AVISO! Eletrocussão!

O incumprimento destas instruções poderá resultar em morte ou ferimentos graves.

- Ao colocar o aparelho, certifique-se de que o cabo de alimentação não fica preso nem é danificado.
- Não coloque tomadas múltiplas ou fontes de alimentação portáteis na parte de trás do aparelho.



### PRECAUÇÃO! Risco para a saúde

Para evitar riscos devido à instabilidade do aparelho, este tem de ser fixado de acordo com as instruções.

O aparelho de refrigeração foi concebido para uma instalação independente. Também pode ser encastrado em móveis quando as seguintes condições são cumpridas. Apenas assim é que é garantida uma operação impecável e uma refrigeração máxima.

- O aparelho de refrigeração deve ser alinhado cuidadosamente.
- A distância entre a parte traseira e a parede tem de ser de aprox. 20 mm.
- A ventilação deve ser realizada de acordo com as alternativas A, B, C ou D (fig. **2**, página 3).

- O canal de ar deve ter um diâmetro mínimo de 105 mm x largura do aparelho de refrigeração.
- A unidade de refrigeração deve estar completamente dentro do canal de ar. As outras peças não podem estar dentro do canal de ar (fig. **2**, página 3).
- O ar que passa pelo canal de ar não pode ser aquecido por outra fonte de calor.
- Só podem ser utilizadas grelhas de ventilação (opcional) com uma secção transversal de, pelo menos, 200 cm<sup>2</sup>.
- Nas variantes com portas de vidro, a humidade pode formar condensação na porta quando a humidade do ar for superior a 65% a 25 °C.
- O aparelho de refrigeração deve ser fixado. Utilize parafusos de comprimento adequado e insira-os nos pés do aparelho (fig. **3**, página 3).
- A tomada à qual o aparelho é conectado deve permanecer livremente acessível.

## 6.1 Substituir a placa decorativa

A placa decorativa pode ser substituída: fig. **4** até fig. **7**, página 4.

## 6.2 Montar a ferragem de arrasto (opcional)

É possível montar uma ferragem de arrasto que permite abrir a porta do aparelho de refrigeração em simultâneo com a porta do armário embutido: fig. **8**, página 5, até fig. **23**, página 8.

## 6.3 Inverter o batente da porta

O batente da porta muda-se da seguinte maneira: fig. **24** até fig. **28**, página 9.  
Só para portas com ferragem de arrasto: fig. **26** e fig. **27**, página 9.

## 7 Utilização



### **PRECAUÇÃO! Risco para a saúde!**

Por favor, verifique se a potência de refrigeração do aparelho cumpre os requisitos dos géneros alimentícios ou dos medicamentos que pretende refrigerar.



### **OBSERVAÇÃO**

- Por motivos de higiene, antes de colocar o novo aparelho de refrigeração em funcionamento, deve limpar o seu interior e exterior com um pano húmido (ver também “Limpeza e manutenção” na página 18).
- Se se formarem algumas gotas de água no interior do aparelho de refrigeração depois de um longo período de refrigeração, isso não significa que o aparelho de refrigeração está avariado. A humidade do ar condensa e transforma-se em água quando a temperatura no aparelho de refrigeração desce. Se necessário, limpe a água com um pano seco.

### 7.1 Sugestões para poupar energia

- Escolha um local de utilização bem arejado e protegido de raios solares.
- Primeiro, deixe as refeições quentes arrefecer antes de as manter frescas.
- Não abra a geleira mais do que as vezes necessárias.
- Não deixe a geleira aberta mais tempo do que o necessário.

### 7.2 Utilizar o aparelho de refrigeração



### **NOTA! Perigo de danos!**

- Tenha atenção para que no aparelho de refrigeração apenas se encontrem objetos ou produtos que possam ser refrigerados à temperatura selecionada.
- Assegure-se de que as bebidas ou os alimentos em recipientes de vidro não arrefeçam em demasia. Ao refrigerar, as bebidas ou os alimentos líquidos dilatam. Deste modo, os recipientes de vidro podem partir.
- Certifique-se de que o aparelho de refrigeração se encontra bem ventilado para que o calor de saída possa dissipar-se, caso contrário, não está garantido um funcionamento correto. Em especial, as aberturas de ventilação não podem ser cobertas.

**OBSERVAÇÃO**

Se não utilizar o aparelho de refrigeração durante um longo período de tempo, deixe a porta um pouco aberta, para evitar a formação de odores.

- ▶ Coloque o aparelho de refrigeração sobre uma superfície estável.
- ▶ Ligue o cabo de conexão à rede de corrente alternada.
- ✓ O aparelho de refrigeração inicia a refrigeração do interior.
- ▶ Ajuste o regulador de temperatura (fig. **1** 1, página 3) para a temperatura pretendida (3 – 12 °C).
- ▶ Se quiser colocar o frigorífico fora de funcionamento, retire a ficha do cabo de conexão da tomada  
ou ...
- ▶ Rode o regulador de temperatura (fig. **1** 1, página 3) no sentido contrário ao dos ponteiros do relógio para a posição OFF.

## 8 Limpeza e manutenção

**AVISO!**

Antes de cada limpeza e conservação, desligue o aparelho de refrigeração da fonte de alimentação.

**NOTA! Perigo de danos!**

- Nunca limpe o aparelho de refrigeração debaixo de água corrente nem dentro de água de lavar a loiça.
  - Não utilize produtos de limpeza abrasivos ou objetos duros para a limpeza, uma vez que podem danificar o aparelho de refrigeração.
- ▶ Utilize um pano macio, água morna e produto de limpeza suave ou detergente para limpar o interior do aparelho de refrigeração.
  - ▶ Enxágue o aparelho de refrigeração com água limpa e seque-o cuidadosamente.
  - ▶ Com uma escova ou um pano macio, remova regularmente o pó da unidade de refrigeração localizada na parte traseira do aparelho de refrigeração.

## 8.1 Substituição da lâmpada do aparelho



### AVISO!

Desconecte o frigorífico da fonte de alimentação antes de substituir a lâmpada do aparelho.

O aparelho utiliza uma placa LED como iluminação. Uma placa LED nova pode ser adquirida junto da Dometic.

► Troque a lâmpada LED da seguinte forma: fig. **29**, página 10

## 9 Eliminação de falhas

Problema	Possível causa	Sugestão de solução
O aparelho não está a refrigerar (a unidade de refrigeração na parte traseira do aparelho está fria).	A ficha do aparelho não está inserida.	Insira a ficha do aparelho.
	Não existe tensão na tomada de tensão de corrente alternada.	Verifique o fusível ou tente utilizar outra tomada.
	O aparelho encontra-se na fase de descongelamento.	Verifique novamente se o aparelho está a refrigerar após 2 horas, uma vez que a fase de descongelamento demora 2 horas.
	O sistema eletrónico ou o sensor está avariado.	Esta reparação só pode ser efetuada por uma unidade de serviço de assistência técnica autorizada.
O aparelho não está a refrigerar (a unidade de refrigeração na parte traseira do aparelho está quente).	O elemento de aquecimento está avariado.	Esta reparação só pode ser realizada por um centro de reparação autorizado.
	O aparelho não está nivelado.	Nivele o aparelho com um nível de bolha de ar.
	O aparelho foi ligado há pouco tempo.	Deixe o aparelho trabalhar durante 5 a 6 horas.
	A unidade de refrigeração está avariada.	Esta reparação só pode ser realizada por um centro de reparação autorizado.

<b>Problema</b>	<b>Possível causa</b>	<b>Sugestão de solução</b>
A potência de refrigeração do aparelho é fraca.	A unidade de refrigeração não é ventilada o suficiente.	Verifique se as grelhas de ventilação não estão tapadas. <hr/> Verifique se o aparelho foi instalado de acordo com a fig. <b>2</b> , página 3.
	O aparelho está exposto ao calor ou à luz solar direta.	Mude o aparelho de local.
	A porta do aparelho não fecha bem.	Verifique se a porta está montada corretamente. Um centro de reparação autorizado pode instalar um novo vedante na porta se necessário.
	O aparelho foi abastecido há pouco tempo.	Verifique a temperatura após 5 a 6 horas.
Existe a formação de gelo no interior do aparelho.	A porta do aparelho não fecha bem.	Verifique se a porta está montada corretamente. Um centro de reparação autorizado pode instalar um novo vedante na porta se necessário.

## 10 Eliminação




- Sempre que possível, coloque o material de embalagem no respectivo contentor de reciclagem.






Para colocar o aparelho definitivamente fora de funcionamento, por favor, informe-se junto do centro de reciclagem mais próximo ou revendedor sobre as disposições de eliminação aplicáveis.



# 11 Dados técnicos

	<b>RH430LD</b>	<b>RH430LG</b>	<b>RH440LD</b>
Volume bruto:	30 l		40 l
Tensão de conexão:	220 – 240 V~, 50/60 Hz		
Consumo:	65 W		
Âmbito de temperatura:	+3 °C a +12 °C		
Categoria:	2 (cave)		
Classe de eficiência energética:	D	F	D
Consumo de energia (kWh/ano):	260	365	266
Capacidade útil:	26 l	27 l	36 l
Classe de climatização:	N, T		
Quantidade de agente de refrigeração:	100 g		
Temperatura ambiente:	+16 °C a +32 °C		
Emissão de ruído (potência acústica):	0 dB		
Dimensões (L x P x A):	384 x 410 x 522	384 x 420 x 522	401 x 446 x 554
Peso:	13,95 kg	16,7 kg	15 kg
Verificação/certificação:	  		

	<b>RH440LG</b>	<b>RH460LD</b>	<b>RH460LG</b>
Volume bruto:	40 l	60 l	
Tensão de conexão:	220 – 240 V~, 50/60 Hz		
Consumo:	65 W	80 W	
Âmbito de temperatura:	+3 °C a +12 °C		
Categoria:	2 (cave)		
Classe de eficiência energética:	F	F	G
Consumo de energia (kWh/ano):	365	372	449
Capacidade útil:	37 l	55 l	56 l
Classe de climatização:	N, T		
Quantidade de agente de refrigeração:	100 g		
Temperatura ambiente:	+16 °C a +32 °C		
Emissão de ruído (potência acústica):	0 dB		
Dimensões (L x P x A):	401 x 456 x 554	486 x 474 x 563	486 x 484 x 563
Peso:	18,4 kg	17,95 kg	22,15 kg
Verificação/certificação:	  		

**Prima della messa in funzione leggere accuratamente questo manuale di istruzioni, conservarlo e, nel caso in cui il frigorifero portatile venga consegnato a un altro utente, consegnare anche le relative istruzioni.**

Il produttore declina ogni responsabilità per danni risultanti da un **uso non conforme alla destinazione** o **da un impiego scorretto**.

## Indice

1	Spiegazione dei simboli . . . . .	75
2	Istruzioni per la sicurezza . . . . .	76
3	Conformità d'uso . . . . .	79
4	Dotazione . . . . .	79
5	Descrizione tecnica. . . . .	80
6	Montaggio . . . . .	80
7	Impiego . . . . .	82
8	Pulizia e cura . . . . .	83
9	Eliminazione dei guasti . . . . .	84
10	Smaltimento . . . . .	85
11	Specifiche tecniche. . . . .	86

## 1 Spiegazione dei simboli



### **PERICOLO!**

**Indicazione di sicurezza** che segnala una situazione di pericolo che se non evitata provoca morte o gravi lesioni.



### **AVVERTENZA!**

**Indicazione di sicurezza** che segnala una situazione di pericolo che se non evitata può provocare morte o gravi lesioni.



### **ATTENZIONE!**

**Indicazione di sicurezza** che segnala una situazione di pericolo che se non evitata può provocare lesioni lievi o di gravità media.

**AVVISO!**

Indicazione di una situazione che se non evitata può provocare danni materiali.

**NOTA**

Informazioni integranti relative all'impiego del prodotto.

## 2 Istruzioni per la sicurezza

### 2.1 Sicurezza generale



**PERICOLO! La mancata osservanza di queste avvertenze può causare la morte o lesioni gravi.**

**Pericolo di morte a causa di scossa elettrica**

- Per imbarcazioni: con il collegamento alla rete fare in modo che l'alimentazione elettrica sia sempre controllata da un interruttore differenziale.



**AVVERTENZA! La mancata osservanza di queste avvertenze potrebbe causare la morte o lesioni gravi.**

**Pericolo di morte a causa di scossa elettrica**

- Fare eseguire le installazioni in ambienti umidi e zone esposte all'acqua solo da un esperto.
- Se il dispositivo presenta danni visibili, non metterlo in funzione.
- Se il cavo di allacciamento di questo apparecchio viene danneggiato, esso deve essere sostituito dal produttore, da parte del suo servizio assistenza clienti.
- Questo dispositivo deve essere riparato solo da personale specializzato. Le riparazioni effettuate in modo scorretto potrebbero causare rischi enormi.

**Pericolo per la salute**

- Questo apparecchio può essere utilizzato da bambini di età superiore a 8 anni, da persone con ridotte capacità fisiche, sensoriali o mentali o da persone inesperte o prive di conoscenze specifiche solo se sorvegliate o preventivamente istruite sull'impiego dell'apparecchio in sicurezza e se informate dei pericoli legati al prodotto stesso.
- I bambini non devono giocare con l'apparecchio.

- La pulizia e la manutenzione da parte dell'utente non possono essere compiute da bambini lasciati soli.
- I bambini dai 3 agli 8 anni possono caricare e scaricare gli apparecchi di refrigerazione.

### **Pericolo di esplosione**

- Nell'apparecchio non conservare sostanze esplosive come ad es. bombolette spray con gas propellente infiammabile.



### **ATTENZIONE! La mancata osservanza di queste precauzioni potrebbe causare lesioni lievi o moderate.**

#### **Pericolo di schiacciamento**

- Non mettere le dita nella cerniera.

#### **Pericolo per la salute**

- I prodotti alimentari possono essere conservati solo nelle confezioni originali o in contenitori adeguati.



### **AVVISO! Pericolo di danni**

- Confrontare i dati della tensione riportati sulla targhetta con quelli dell'alimentatore.
- Non estrarre mai la spina dalla presa tirando il cavo di allacciamento.
- Il frigorifero non è adatto per la conservazione di sostanze corrosive o solventi!
- Mantenere l'apertura di scarico sempre pulita.
- Non aprire in nessun caso il circuito di raffreddamento.
- Per evitare che l'olio fuoriesca dal compressore, non trasportare mai l'apparecchio in posizione orizzontale.
- Prestare attenzione durante il trasporto a non danneggiare il circuito di raffreddamento. Il refrigerante nel circuito di raffreddamento è facilmente infiammabile.  
In caso di danneggiamento del circuito di raffreddamento:
  - Evitare fiamme libere e scintille.
  - Areare bene l'ambiente.
- Installare l'apparecchio in un posto asciutto e protetto da eventuali spruzzi d'acqua.

## 2.2 Sicurezza durante il funzionamento dell'apparecchio



**PERICOLO! La mancata osservanza di queste avvertenze può causare la morte o lesioni gravi.**

### **Pericolo di morte a causa di scossa elettrica**

- Non toccare mai i cavi nudi a mani nude.



**ATTENZIONE! La mancata osservanza di queste precauzioni potrebbe causare lesioni lievi o moderate.**

### **Pericolo di morte a causa di scossa elettrica**

- Prima della messa in funzione, assicurarsi che la linea di alimentazione e la spina siano asciutte.

### **Pericolo per la salute**

- Se la porta rimane aperta a lungo, si può verificare un notevole aumento di temperatura nei vani dell'apparecchio.
- Pulire regolarmente le superfici che vengono a contatto con gli alimenti e i sistemi di scarico accessibili.
- Conservare la carne cruda e il pesce in contenitori adatti nell'apparecchio, in modo che non vengano a contatto con altri alimenti o sgocciolino su di essi.
- Se l'apparecchio resta vuoto a lungo:
  - Spegnerne l'apparecchio.
  - Sbrinare l'apparecchio.
  - Pulire e asciugare l'apparecchio.
  - Lasciare la porta aperta per prevenire la formazione di muffa nell'apparecchio.



### **AVVISO! Pericolo di danni**

- Non utilizzare apparecchi elettrici all'interno del refrigeratore, ad eccezione di quelli consigliati dallo stesso produttore.
- Non collocare il dispositivo nelle vicinanze di fiamme libere o altre fonti di calore (riscaldamento, intensa esposizione ai raggi solari, forni a gas ecc.).
- **Pericolo di surriscaldamento!**  
Assicurarsi che il calore generato durante il funzionamento fuoriesca sufficientemente. Fare in modo che la distanza fra il dispositivo e le pareti o altri oggetti sia tale da permettere all'aria di circolare liberamente.
- Fare attenzione che le aperture di aerazione non vengano coperte.
- Non versare nessun tipo di liquido o ghiaccio nel contenitore interno.

- Non immergere mai il dispositivo in acqua.
- Proteggere il dispositivo e i cavi dal caldo e dall'umidità.
- Fare attenzione che gli alimenti non entrino in contatto con le pareti del frigorifero.

### 3 Conformità d'uso

Il frigorifero è adatto per raffreddare bevande e snack.

Il dispositivo è progettato per essere utilizzato con una rete di alimentazione da 220 – 240 V~.



#### **ATTENZIONE! Pericolo per la salute!**

Controllare che la capacità di raffreddamento dell'apparecchio sia conforme ai requisiti dei generi alimentari o dei medicinali che si desidera raffreddare.

### 4 Dotazione

Quantità	Denominazione
1	Minibar
1	Istruzioni di montaggio e d'uso

## 5 Descrizione tecnica

Il frigorifero può raffreddare i prodotti fino a un massimo di 21 °C (solo RH430LD, RH440LD, RH460LD) o 18 °C (solo RH430LG, RH440LG, RH460LG) al di sotto della temperatura ambiente e mantenerli al fresco. Una griglia divisoria permette di separare gli alimenti, ad es. bottiglie e dolci.

### Elemento di comando

Pos. in fig. <b>1</b> , pagina 3	Descrizione
1	Termoregolatore

### Funzione di sbrinamento

Sulle superfici di raffreddamento si formerà gradualmente uno strato di brina. Al fine di prevenire la formazione di brina, l'apparecchio ha una funzione che ogni 24 ore spegne per 2 ore il gruppo refrigerante.

Durante le due ore della fase di sbrinamento, la brina si scioglie e l'acqua prodotta dallo sbrinamento viene convogliata nel vaso dell'evaporatore situato nella parte posteriore in basso del frigorifero. L'acqua prodotta dallo sbrinamento evapora automaticamente per cui il vaso non deve essere svuotato in modo manuale.

## 6 Montaggio



### AVVERTENZA! Scossa elettrica!

La mancata osservanza delle presenti istruzioni potrebbe causare la morte o lesioni gravi.

- Durante il posizionamento dell'apparecchio, assicurarsi che il cavo di alimentazione non venga bloccato o danneggiato.
- Non collocare prese multiple portatili o alimentatori portatili sul retro dell'apparecchio.



### ATTENZIONE! Pericolo per la salute

Per evitare pericoli a causa dell'instabilità dell'apparecchio, fissarlo secondo le istruzioni.



Il frigorifero è costruito per un utilizzo autonomo. Può anche essere montato in un mobile, se esistono i seguenti presupposti. Solo così viene garantito un funzionamento ottimale e una refrigerazione massima.

- Il frigorifero deve essere posizionato con attenzione.
- La distanza tra il lato posteriore e la parete deve essere di almeno 20 mm.
- L'aerazione deve essere realizzata come nelle alternative A, B, C o D (fig. **2**, pagina 3).
- Il canale di aspirazione deve avere una sezione minima di 105 mm x la larghezza del frigorifero.
- Il gruppo refrigerante deve sporgere completamente nel canale di aerazione. Altri componenti non devono sporgere nel canale di aerazione (fig. **2**, pagina 3).
- L'aria che passa attraverso canale di aerazione non deve essere riscaldata da un'altra fonte di calore.
- Possono essere utilizzate solo griglie di ventilazione (opzionali) che presentino una superficie libera di almeno 200 cm<sup>2</sup>.
- Per le varianti con le porte in vetro, l'umidità può condensare sulla porta se è superiore al 65% a 25 °C.
- Il frigorifero deve essere fissato. Utilizzare viti di lunghezza adeguata e inserirle nel piede dell'apparecchio (fig. **3**, pagina 3).
- La presa a cui è collegato l'apparecchio deve essere facilmente accessibile.

## 6.1 Sostituzione del pannello decorativo

È possibile sostituire il pannello decorativo: dalla fig. **4** alla fig. **7**, pagina 4.

## 6.2 Montaggio della cerniera a traino (opzionale)

È possibile montare una cerniera a traino che consente di aprire contemporaneamente la porta del frigorifero e quella dell'armadio a muro. dalla fig. **8**, pagina 5, alla fig. **23**, pagina 8.

## 6.3 Cambio del lato di apertura della porta

Sostituire il lato di apertura della porta nel modo seguente: dalla fig. **24** alla fig. **28**, pagina 9.

Solo per porte con cerniera a traino: fig. **26** e fig. **27**, pagina 9.

## 7 Impiego



### **ATTENZIONE! Pericolo per la salute!**

Controllare che la capacità di raffreddamento dell'apparecchio sia conforme ai requisiti dei generi alimentari o dei medicinali che si desidera raffreddare.



### **NOTA**

- Per motivi igienici, prima della messa in funzione iniziale del nuovo frigorifero, pulirne l'interno e l'esterno con un panno umido (vedi anche "Pulizia e cura" a pagina 18).
- Se all'interno del frigorifero si forma qualche goccia d'acqua dopo che il frigorifero è stato in funzione per un periodo di tempo piuttosto lungo, ciò non significa che il frigorifero è difettoso. Al diminuire della temperatura all'interno del frigorifero l'umidità dell'aria condensa trasformandosi in acqua. Se necessario asciugare l'acqua con un panno asciutto.

### 7.1 Suggerimenti per risparmiare energia

- Scegliere un luogo di impiego ben aerato e riparato dai raggi solari.
- Prima di immagazzinare cibi caldi nell'apparecchio, lasciarli prima raffreddare.
- Non aprire il frigorifero più spesso del necessario.
- Non lasciare il frigorifero aperto più del necessario.

### 7.2 Impiego del frigorifero



### **AVVISO! Pericolo di danni!**

- Assicurarsi che nel frigorifero si trovino solo oggetti o prodotti che possono essere raffreddati alla temperatura selezionata.
- Prestare attenzione a non raffreddare eccessivamente bevande o vivande liquide conservate in contenitori di vetro, in quanto esse si dilatano se congelate, provocando la rottura dei contenitori di vetro.
- Assicurarsi che il frigorifero sia ben aerato, in modo tale che il calore generato possa fuoriuscire; in caso contrario non è più garantito un funzionamento corretto. In particolare, fare attenzione che le aperture di aerazione non vengano coperte.

**NOTA**

Quando il frigorifero non viene utilizzato per un periodo prolungato, lasciare leggermente aperta la porta per evitare la formazione di cattivi odori.

- Collocare il frigorifero su una base stabile.
- Collegare il cavo alla rete di alimentazione in corrente alternata.
- ✓ Il vano interno del frigorifero inizia a raffreddarsi.
- Portare il termoregolatore (fig. **1** 1, pagina 3) alla temperatura desiderata (3 – 12 °C).
- Se il frigorifero viene spento per un periodo prolungato, estrarre il cavo di collegamento
  - ...
- Ruotare il termoregolatore (fig. **1** 1, pagina 3) in senso antiorario, in posizione OFF.

## 8 Pulizia e cura

**AVVERTENZA!**

Staccare il frigorifero dall'alimentazione elettrica ogni volta che si effettua la pulizia e la cura.

**AVVISO! Pericolo di danni!**

- Non lavare mai il frigorifero sotto acqua corrente e non immergerlo in acqua per risciaccarlo.
  - Per la pulizia non impiegare detersivi corrosivi oppure oggetti ruvidi, perché potrebbero danneggiare il frigorifero.
- Per pulire l'interno del frigorifero utilizzare un panno morbido, acqua tiepida e un detersivo delicato o del detersivo.
  - Lavare il frigorifero con acqua pulita e asciugarlo bene.
  - Con una spazzola o un panno morbido asportare di tanto in tanto la polvere sul lato posteriore del frigorifero.

## 8.1 Sostituzione luce del dispositivo



### AVVERTENZA!

Prima di sostituire la luce del dispositivo, staccare sempre il dispositivo dalla rete di alimentazione.

Come fonte di luce il dispositivo utilizza un pannello a LED. Pannelli a LED nuovi possono essere richiesti a Dometic.

► Ecco come sostituire l'illuminazione a LED: fig. **29**, pagina 10

## 9 Eliminazione dei guasti

Problema	Possibile causa	Proposta di soluzione
Il dispositivo non raffredda (il gruppo refrigerante sul retro del dispositivo è freddo).	La spina del dispositivo non è inserita.	Inserire la spina del dispositivo.
	Nella presa di corrente alternata non c'è tensione.	Controllare il fusibile o provare a utilizzare un'altra presa a spina.
	Il dispositivo è in fase di sbrinamento.	Controllare dopo 2 ore se il dispositivo ha ripreso a raffreddare, in quanto la fase di sbrinamento dura 2 ore.
	L'elettronica del sensore è difettosa.	Può essere riparata solo da un servizio assistenza clienti autorizzato.
Il dispositivo non raffredda (il gruppo refrigerante sul retro del dispositivo è caldo).	L'elemento riscaldante è guasto.	I lavori di riparazione devono essere effettuati solo da un centro autorizzato per le riparazioni.
	Il dispositivo non è in piano.	Mettere in piano il dispositivo utilizzando una livella ad acqua.
	Il dispositivo è stato acceso da poco.	Lasciare in funzione il dispositivo per 5 – 6 ore.
	Il gruppo refrigerante è difettoso.	I lavori di riparazione devono essere effettuati solo da un centro autorizzato per le riparazioni.

Problema	Possibile causa	Proposta di soluzione
Il potere raffreddante del dispositivo è basso.	Il gruppo refrigerante non è areato sufficientemente.	Verificare che le griglie di ventilazione non siano ostruite. <hr/> Verificare che il dispositivo sia stato installato come mostrato in fig. <b>2</b> , pagina 3.
	Il dispositivo è esposto a sorgenti di calore o luce solare diretta.	Spostare il dispositivo.
	La porta del dispositivo non si chiude perfettamente.	Controllare che la porta sia stata installata correttamente. Se necessario, un centro autorizzato per le riparazioni può installare sulla porta una nuova guarnizione.
	Il dispositivo è stato riempito da poco.	Controllare la temperatura dopo 5 – 6 ore.
All'interno del dispositivo si forma della brina.	La porta del dispositivo non si chiude perfettamente.	Controllare che la porta sia stata installata correttamente. Se necessario, un centro autorizzato per le riparazioni può installare sulla porta una nuova guarnizione.




## 10 Smaltimento




- Raccogliere il materiale di imballaggio possibilmente negli appositi contenitori di riciclaggio.



Quando il prodotto viene messo fuori servizio definitivamente, informarsi al centro di riciclaggio più vicino, oppure presso il proprio rivenditore specializzato, sulle prescrizioni adeguate concernenti lo smaltimento.

# 11 Specifiche tecniche

	<b>RH430LD</b>	<b>RH430LG</b>	<b>RH440LD</b>
Volume interno:	30 l		40 l
Tensione di allacciamento:	220 – 240 V~, 50/60 Hz		
Potenza assorbita:	65 W		
Intervallo di variazione della temperatura:	Da +3 °C a +12 °C		
Categoria:	2 (cantina)		
Classe di efficienza energetica:	D	F	D
Consumo energetico (kWh/anno):	260	365	266
Capacità utile:	26 l	27 l	36 l
Classe climatica:	N, T		
Quantità di refrigerante:	100 g		
Temperatura ambiente	Da +16 °C a +32 °C		
Emissioni acustiche (potenza sonora):	0 dB		
Dimensioni (larg x prof x alt):	384 x 410 x 522	384 x 420 x 522	401 x 446 x 554
Peso:	13,95 kg	16,7 kg	15 kg
Certificati di controllo:	  		

	<b>RH440LG</b>	<b>RH460LD</b>	<b>RH460LG</b>
Volume interno:	40 l	60 l	
Tensione di allacciamento:	220 – 240 V~, 50/60 Hz		
Potenza assorbita:	65 W	80 W	
Intervallo di variazione della temperatura:	Da +3 °C a +12 °C		
Categoria:	2 (cantina)		
Classe di efficienza energetica:	F	F	G
Consumo energetico (kWh/anno):	365	372	449
Capacità utile:	37 l	55 l	56 l
Classe climatica:	N, T		
Quantità di refrigerante:	100 g		
Temperatura ambiente	Da +16 °C a +32 °C		
Emissioni acustiche (potenza sonora):	0 dB		
Dimensioni (larg x prof x alt):	401 x 456 x 554	486 x 474 x 563	486 x 484 x 563
Peso:	18,4 kg	17,95 kg	22,15 kg
Certificati di controllo:	  		

**Lees deze handleiding voor de ingebruikname zorgvuldig door en bewaar deze. Geef de handleiding bij doorgeven van het toestel door aan de gebruiker.**

De fabrikant kan niet aansprakelijk worden gesteld voor schade die door **gebruik tegen de voorschriften in** of door **verkeerde bediening** wordt veroorzaakt.

## Inhoudsopgave

1	Verklaring van de symbolen . . . . .	88
2	Veiligheidsinstructies . . . . .	89
3	Gebruik volgens de voorschriften . . . . .	92
4	Omvang van de levering . . . . .	92
5	Technische beschrijving . . . . .	92
6	Montage . . . . .	93
7	Bediening . . . . .	94
8	Reiniging en onderhoud . . . . .	96
9	Verhelpen van storingen . . . . .	97
10	Afvoer . . . . .	98
11	Technische gegevens . . . . .	99

## 1 Verklaring van de symbolen



### **GEVAAR!**

**Veiligheidsaanwijzing** met betrekking tot een gevaarlijke situatie die leidt tot ernstig letsel of de dood, als deze niet wordt vermeden.



### **WAARSCHUWING!**

**Veiligheidsaanwijzing** met betrekking tot een gevaarlijke situatie die kan leiden tot ernstig letsel of de dood, als deze niet wordt vermeden.



**VOORZICHTIG!**

**Veiligheidsaanwijzing** met betrekking tot een gevaarlijke situatie die kan leiden tot licht of gemiddeld letsel, als deze niet wordt vermeden.

**LET OP!**

Aanwijzing met betrekking tot een situatie die kan leiden tot materiële schade, als deze niet wordt vermeden.

**INSTRUCTIE**

Meer informatie over de bediening van het product.

## 2 Veiligheidsinstructies

### 2.1 Algemene veiligheid



**GEVAAR! Niet in acht nemen van deze waarschuwingen leidt tot ernstig letsel of de dood.**

**Levensgevaar door elektrische schok**

- Op boten: als uw toestel op het stroomnet is aangesloten, dient u er absoluut voor te zorgen dat de stroomtoevoer via een aardlekschakelaar beveiligd is.



**WAARSCHUWING! Niet in acht nemen van deze waarschuwingen kan leiden tot ernstig letsel of de dood.**

**Levensgevaar door elektrische schok**

- Laat installatiewerkzaamheden in vochtige ruimtes en bereiken die aan vocht zijn blootgesteld alleen uitvoeren door vakkundig personeel.
- Als het toestel zichtbaar beschadigd is, mag het niet in gebruik worden genomen.
- Als de aansluitkabel van dit toestel wordt beschadigd, moet deze om gevaar uit te sluiten door de fabrikant, diens klantenservice of een gelijkwaardig gekwalificeerd persoon worden vervangen.
- Reparaties aan dit toestel mogen uitsluitend door vakmonteurs worden uitgevoerd. Door ondeskundige reparaties kunnen grote gevaren ontstaan.

### **Gevaar voor de gezondheid**

- Dit toestel kan door kinderen vanaf 8 jaar en ouder evenals door personen met verminderde fysieke, zintuiglijke of geestelijke vermogens of tekortschietende ervaring en kennis gebruikt worden, als ze worden begeleid of hun is uitgelegd hoe ze het toestel veilig kunnen gebruiken. Ook dienen ze inzicht te hebben in de gevaren die het gebruik van het toestel met zich meebrengt.
- Kinderen mogen niet met het toestel spelen.
- Reiniging en gebruikersonderhoud mogen niet door kinderen zonder begeleiding worden uitgevoerd.
- Kinderen van 3 tot 8 jaar mogen koelapparaten laden en ontladen

### **Explosiegevaar**

- Bewaar geen explosiegevaarlijke stoffen, zoals spuitbussen met brandbaar drijfgas, in het toestel.



**VOORZICHTIG! Niet in acht nemen van deze voorzichtigheidsaanwijzingen kan leiden tot licht of gemiddeld letsel.**

### **Beknellingsgevaar**

- Grijp niet in de scharnier.

### **Gevaar voor de gezondheid**

- Levensmiddelen mogen alleen in de originele verpakking of in geschikte bakken worden bewaard.



### **LET OP! Gevaar voor beschadiging**

- Vergelijk de spanning op het typeplaatje met de aanwezige energievoorziening.
- Trek de stekker nooit aan de aansluitkabel uit het stopcontact.
- Het koeltoestel is niet geschikt voor de opslag van bijtende of oplosmiddelhoudende stoffen.
- Houd de afvoeropening altijd schoon.
- Open in geen geval het koelcircuit.
- Transporteer het toestel nooit in horizontale stand, zodat er geen olie uit de compressor kan stromen.
- Voorkom beschadiging van het koelcircuit tijdens transport. Het koudemiddel in het koelcircuit is licht ontvlambaar.  
Bij een beschadiging van het koelcircuit:
  - Vermijd open vuur en ontstekingsvonken.
  - Ventileer de ruimte goed.

- Stel het toestel op een droge en tegen spatwater beschermde plaats op.

## 2.2 Veiligheid bij het gebruik van het toestel



**GEVAAR! Niet in acht nemen van deze waarschuwingen leidt tot ernstig letsel of de dood.**

### **Levensgevaar door elektrische schok**

- Blanke leidingen nooit met blote handen aanraken.



**VOORZICHTIG! Niet in acht nemen van deze voorzichtigheidsaanwijzingen kan leiden tot licht of gemiddeld letsel.**

### **Levensgevaar door elektrische schok**

- Voor ingebruikneming moeten toevoerleiding en stekker droog zijn.

### **Gevaar voor de gezondheid**

- Langdurig openen van de deur kan leiden tot een aanzienlijke temperatuurstijging in de compartimenten van het apparaat.
- Reinig oppervlakken die in contact komen met voedsel en aftap-systemen regelmatig.
- Sla rauw vlees en vis op in geschikte containers in het apparaat, zodat ze niet met andere levensmiddelen in contact komen of erop druppelen.
- Als het apparaat langdurig leeg blijft:
  - Schakel het apparaat uit.
  - Ontdooi het apparaat.
  - Reinig het apparaat en droog het af.
  - Laat de deur open om schimmelvorming in het apparaat te voorkomen.



### **LET OP! Gevaar voor beschadiging**

- Gebruik geen elektrische toestellen binnen het koeltoestel, behalve als deze toestellen daarvoor door de fabrikant worden aanbevolen.
- Plaats het toestel niet in de buurt van open vuur of andere warmtebronnen (verwarming, sterke zonnestraling, gasovens enz.).
- **Oververhittingsgevaar!**  
Let er altijd op dat de warmte die bij het gebruik ontstaat goed afgevoerd kan worden. Zorg ervoor dat het toestel op voldoende afstand tot wanden en voorwerpen staat, zodat de lucht kan circuleren.
- Let erop dat de ventilatieopeningen niet worden afgedekt.

- Vul het binnenreservoir niet met vloeistoffen of ijs.
- Dompel het toestel nooit onder in water.
- Bescherm het toestel en de kabels tegen hitte en vocht.
- Let erop, dat de spijzen de wanden van de koelruimte niet aanraken.

### 3 Gebruik volgens de voorschriften

Het koelapparaat is geschikt voor het koelen van drank en levensmiddelen.

Het toestel is ontworpen voor gebruik met een 220 – 240 V~ netvoeding.



#### **VOORZICHTIG! Gevaar voor de gezondheid!**

Controleer of het koelvermogen van het toestel voldoet aan de eisen van de levensmiddelen of geneesmiddelen die u wilt koelen.

### 4 Omvang van de levering

Hoeveelheid	Aanduiding
1	Minibar
1	Montagehandleiding en gebruiksaanwijzing

### 5 Technische beschrijving

Het koeltoestel kan producten koelen tot maximaal 21 °C (alleen RH430LD, RH440LD, RH460LD) of 18 °C (alleen RH430LG, RH440LG, RH460LG) onder de omgevingstemperatuur, en ze koel houden. Een scheidingsrooster kan worden gebruikt om levensmiddelen te scheiden, bijvoorbeeld flessen en versnaperingen.

#### Bedieningselement

Pos. in afb. <b>1</b> , pagina 3	Beschrijving
1	Temperatuurregelaar

## Ontdooifunctie

Op koeloppervlakken kan zich langzaam vorst vormen. Om deze vorstvorming te voorkomen heeft het toestel een functie waarmee de koeleenheid elke 24 uur gedurende twee uren kan worden uitgeschakeld.

Tijdens deze twee uur durende ontdooifase smelt de vorst. Het dooiwater stroomt in een verdampingsvat onder de achterzijde van de koelkast. Het dooiwater verdampst automatisch zodat het vat niet handmatig moet worden geleegd.

## 6 Montage



### **WAARSCHUWING! Elektrische schok!**

Niet in acht nemen van deze waarschuwingen kan leiden tot ernstig letsel of de dood.

- Voorkom bij het positioneren van het apparaat het blijven hangen of beschadigd raken van de voedingskabel.
- Plaats geen beweeglijke, meervoudige stopcontacten of dergelijke voedingseenheden aan de achterkant van het apparaat.



### **VOORZICHTIG! Gevaar voor de gezondheid**

Om gevaar door instabiliteit van het toestel te voorkomen, moet het volgens de instructies worden bevestigd.

Het koelapparaat is voor vrijstaand gebruik gebouwd. Het kan ook in een meubel worden ingebouwd, als aan volgende voorwaarden is voldaan. Alleen zo zijn optimaal gebruik en maximale koeling gegarandeerd.

- Het koelapparaat moet zorgvuldig worden uitgelijnd.
- De afstand tussen de achterzijde en de wand moet minstens 20 mm bedragen.
- De beluchting moet zoals in de alternatieven A, B, C of D gerealiseerd zijn (afb. **2**, pagina 3).
- Het ventilatiekanaal moet een dwarsdoorsnede van minstens 105 mm x breedte van het koelapparaat hebben.
- Het koelaggregaat moet compleet in het ventilatiekanaal steken. Andere delen mogen niet in het ventilatiekanaal steken (afb. **2**, pagina 3).
- De lucht die door het ventilatiekanaal stroomt, mag niet door een andere warmtebron worden verwarmd.
- Er mogen alleen ventilatieroosters (optioneel) worden gebruikt die een vrij dwarsdoorsnedevlak van minstens 200 cm<sup>2</sup> hebben.

- Bij varianten met glazen deuren kan vocht op de deur condenseren, als de luchtvochtigheid hoger is dan 65 % bij 25 °C.
- Het koeltoestel moet vast worden bevestigd. Gebruik schroeven met een geschikte lengte en steek ze in de voeten van het toestel (afb. **3**, pagina 3).
- De contactdoos waarop het apparaat wordt aangesloten moet vrij toegankelijk blijven.

## 6.1 Decorplaat vervangen

U kunt de decorplaat vervangen: afb. **4** tot afb. **7**, pagina 4.

## 6.2 Sleepdeursysteem (optioneel) monteren

U kunt een sleepdeursysteem monteren waarmee de deur van het koelkasttoestel gelijktijdig met de deur van de inbouwkast wordt geopend: afb. **8**, pagina 5, tot afb. **23**, pagina 8.

## 6.3 Deurbevestiging wisselen

Zo vervangt u de deurbevestiging: afb. **24** tot afb. **28**, pagina 9.

Alleen voor deuren met sleepdeursysteem: afb. **26** en afb. **27**, pagina 9.

# 7 Bediening



### **VOORZICHTIG! Gevaar voor de gezondheid!**

Controleer of het koelvermogen van het toestel voldoet aan de eisen van de levensmiddelen of geneesmiddelen die u wilt koelen.



### **INSTRUCTIE**

- Voordat u het nieuwe koelapparaat in gebruik neemt, moet het om hygiënische redenen van binnen en van buiten met een vochtige doek worden gereinigd (zie ook „Reiniging en verzorging” op pagina 18).
- Als na een langdurige koelfase enkele druppels water in het koeltoestel ontstaan, is het toestel niet defect. Luchtvochtigheid condenseert tot water, als de temperatuur in het koeltoestel daalt. Wis het water eventueel weg met een droge doek.

## 7.1 Tips om energie te sparen

- Kies een goed geventileerde en tegen zonnestrallen beschermde plaats.
- Laat warme spijzen eerst afkoelen, voordat u ze in het toestel koel houdt.
- Open het koeltoestel niet vaker dan nodig.
- Laat het koeltoestel niet langer open dan nodig is.

## 7.2 Koeltoestel gebruiken



### LET OP! Gevaar voor beschadiging!

- Zorg ervoor dat er zich alleen voorwerpen of waren in het koeltoestel bevinden die op de gekozen temperatuur gekoeld mogen worden.
- Zorg ervoor dat drank of voedsel in glazen flessen niet te sterk afkoelt. Bij het bevriezen zetten drank of vloeibare levensmiddelen uit. Hierdoor kunnen de glazen flessen kapot gaan.
- Zorg ervoor dat het koeltoestel goed geventileerd wordt, zodat de weggetrokken warmte kan worden afgevoerd. Anders is een optimale werking niet gegarandeerd. Met name de ventilatieopeningen mogen niet worden afgedekt.



### INSTRUCTIE

Als u het koelapparaat lange tijd niet gebruikt, laat de deur dan iets openstaan om geurvorming te voorkomen.

- Plaats het koeltoestel op een vaste ondergrond.
- Sluit de aansluitkabel aan op het wisselstroomnet.
- ✓ Het koelapparaat start met het koelen van de binnenruimte.
- Stel de temperatuurregelaar (afb. **1** 1, pagina 3) in op de gewenste temperatuur (3 – 12 °C).
- Als u de koelkast uit bedrijf wilt nemen, trek de aansluitkabel er dan uit of ...
- Draai de temperatuurregelaar (afb. **1** 1, pagina 3) linksom in de positie OFF.

## 8 Reiniging en onderhoud



### WAARSCHUWING!

Scheid het koelapparaat voor elke reiniging en elk onderhoud van het stroomnet.



### LET OP! Gevaar voor beschadiging!

- Reinig het koeltoestel nooit onder stromend water of in afwaswater.
- Gebruik voor het reinigen geen bijtende schoonmaakmiddelen of harde voorwerpen, aangezien het koeltoestel hierdoor beschadigd zou kunnen raken.

- Gebruik een zachte doek, lauwwarm water en een mild reinigingsmiddel of afwasmiddel om de binnenzijde van het koelapparaat te reinigen.
- Wrijf het koelapparaat met helder water schoon en droog het goed af.
- Verwijder met een zachte doek of een borstel af en toe het stof van het koel-aggregaat aan de achterzijde van het koelapparaat.

### 8.1 Het toestellicht vervangen



### WAARSCHUWING!

Ontkoppel het toestel altijd van het net, alvorens het licht te vervangen.

Het toestel wordt verlicht met een ledboard. Een nieuwe ledboard is verkrijgbaar bij Dometic.

- Vervang de led als volgt: afb. **29**, pagina 10



## 9 Verhelpen van storingen

Probleem	Mogelijke oorzaak	Voorstel tot oplossing
Toestel koelt niet (de koeleenheid aan de achterzijde van het toestel is koud).	De toestelstekker is niet ingestoken.	Steek de toestelstekker erin.
	Op het wisselspannings-stopcontact staat geen spanning.	Controleer de zekering of probeer een andere stekker.
	Het toestel bevindt zich in ontdoofase.	Controleer na 2 uur opnieuw of het toestel koelt (omdat de ontdoofase 2 uur duurt).
	Het elektronische systeem of de sensor is defect.	Dit kan alleen door een geautoriseerd servicebedrijf worden gerepareerd.
	Het verwarmingselement is defect.	Deze kan alleen worden gerepareerd door een geautoriseerde reparatiewerkplaats.
Toestel koelt niet (de koeleenheid aan de achterzijde van het toestel is warm).	Het toestel staat niet horizontaal.	Positioneer het toestel horizontaal met een waterpas.
	Het toestel is nog maar kort ingeschakeld.	Laat het toestel 5 tot 6 uur in bedrijf.
	De koeleenheid is defect.	Deze kan alleen worden gerepareerd door een geautoriseerde reparatiewerkplaats.

Probleem	Mogelijke oorzaak	Voorstel tot oplossing
Het koelvermogen van het toestel is gering.	De koeleenheid is onvoldoende geventileerd.	Controleer of de ventilatieroosters vrij zijn. <hr/> Controleer of het toestel is geïnstalleerd overeenkomstig afb. <b>2</b> , pagina 3.
	Het toestel is blootgesteld aan hitte of direct zonlicht.	Positioneer het toestel opnieuw.
	De toesteldeur sluit niet goed af.	Controleer of de deur correct is geïnstalleerd. Een geautoriseerde reparatiewerkplaats kan een nieuwe deurafdichting installeren indien nodig.
	Het toestel is nog maar net ingeschakeld.	Controleer de temperatuur na 5 tot 6 uur.
Vorstvorming in het toestel.	De toesteldeur sluit niet goed af.	Controleer of de deur correct is geïnstalleerd. Een geautoriseerde reparatiewerkplaats kan een nieuwe deurafdichting installeren indien nodig.




## 10 Afvoer




- Laat het verpakkingsmateriaal indien mogelijk recycleren.



Als u het product definitief buiten bedrijf stelt, informeer dan bij het dichtstbijzijnde recyclingcentrum of uw speciaalzaak naar de betreffende afvoervoorschriften.

# 11 Technische gegevens

	<b>RH430LD</b>	<b>RH430LG</b>	<b>RH440LD</b>
Bruto-inhoud:	30 l		40 l
Aansluitspanning:	220 – 240 V~, 50/60 Hz		
Opgenomen vermogen:	65 W		
Temperatuurbereik:	+3 °C tot +12 °C		
Categorie:	2 (Cellar)		
Energie-efficiëntieklasse:	D	F	D
Energieverbruik (kWh/annum):	260	365	266
Nuttige capaciteit:	26 l	27 l	36 l
Klimaatklasse:	N, T		
Koudemiddelhoeveelheid:	100 g		
Omgevingstemperatuur:	+16 °C tot +32 °C		
Geluidsemissie (geproduceerd geluid):	0 dB		
Afmetingen (b x d x h):	384 x 410 x 522	384 x 420 x 522	401 x 446 x 554
Gewicht:	13,95 kg	16,7 kg	15 kg
Keurmerk/certificaat:	  		

	<b>RH440LG</b>	<b>RH460LD</b>	<b>RH460LG</b>
Bruto-inhoud:	40 l	60 l	
Aansluitspanning:	220 – 240 V~, 50/60 Hz		
Opgenomen vermogen:	65 W	80 W	
Temperatuurbereik:	+3 °C tot +12 °C		
Categorie:	2 (Cellar)		
Energie-efficiëntieklasse:	F	F	G
Energieverbruik (kWh/annum):	365	372	449
Nuttige capaciteit:	37 l	55 l	56 l
Klimaatklasse:	N, T		
Koudemiddelhoeveelheid:	100 g		
Omgevingstemperatuur:	+16 °C tot +32 °C		
Geluidsemissie (geproduceerd geluid):	0 dB		
Afmetingen (b x d x h):	401 x 456 x 554	486 x 474 x 563	486 x 484 x 563
Gewicht:	18,4 kg	17,95 kg	22,15 kg
Keurmerk/certificaat:	  		

**Læs denne vejledning omhyggeligt før ibrugtagning, og opbevar den. Giv den til brugeren, hvis du giver køleapparatet videre.**

Producenten hæfter ikke for skader, der er forårsaget af **ukorrekt brug** eller **forkert betjening**.

## Indholdsfortegnelse

1	Forklaring af symbolerne . . . . .	101
2	Sikkerhedshenvisninger . . . . .	102
3	Korrekt brug . . . . .	105
4	Leveringsomfang . . . . .	105
5	Teknisk beskrivelse . . . . .	105
6	Montering . . . . .	106
7	Betjening . . . . .	107
8	Rengøring og vedligeholdelse . . . . .	108
9	Udbedring af fejl . . . . .	109
10	Bortskaffelse . . . . .	110
11	Tekniske data . . . . .	111

## 1 Forklaring af symbolerne



### FARE!

**Sikkerhedshenvisning** til en farlig situation, der medfører død eller alvorlige kvæstelser, hvis den ikke undgås.



### ADVARSEL!

**Sikkerhedshenvisning** til en farlig situation, der kan medføre død eller alvorlige kvæstelser, hvis den ikke undgås.



### FORSIGTIG!

**Sikkerhedshenvisning** til en farlig situation, der kan medføre lette eller mindre kvæstelser, hvis den ikke undgås.

**VIGTIGT!**

Henvisning til en situation, der kan medføre materielle skader, hvis den ikke undgås.

**BEMÆRK**

Supplerende informationer om betjening af produktet.

## 2 Sikkerhedshenvisninger

### 2.1 Generel sikkerhed



**FARE! Manglende overholdelse af disse advarsler medfører dødelige eller alvorlige kvæstelser.**

**Livsfare på grund af elektrisk stød**

- Ved både: Sørg ved tilslutning til strømmettet ubetinget for, at strømforsyningen er sikret med en FI-afbryder.



**ADVARSEL! Manglende overholdelse af disse advarsler kan medføre dødelige eller alvorlige kvæstelser.**

**Livsfare på grund af elektrisk stød**

- Lad kun en fagmand udføre installationer i vådrum og områder, der er udsat for vand.
- Hvis apparatet har synlige beskadigelser, må du ikke tage det i brug.
- Hvis dette apparats tilslutningskabel beskadiges, skal det udskiftes af producenten, dennes kundeservice eller en lignende kvalificeret person for at undgå farer.
- Reparationer på dette apparat må kun foretages af fagfolk. Ved ukorrekte reparationer kan der opstå betydelige farer.

#### **Sundhedsfare**

- Dette apparat kan anvendes af børn over 8 år og personer med reducerede fysiske, sans- eller mentale evner eller uden erfaring eller viden, hvis de er under opsyn eller blev instrueret i sikker brug af apparatet og forstår de involverede farer.
- Børn må ikke lege med apparatet.
- Rengøring og brugerens vedligeholdelse må ikke udføres af børn uden opsyn.
- Børn i alderen fra 3 til 8 år må fylde og tømme køleapparater

**Eksplodingsfare**

- Opbevar ikke eksplosive stoffer, som f.eks. spraydåser med drivgas, i apparatet.

**FORSIGTIG! Manglende overholdelse af disse forsigtigheds-henvisninger kan medføre mindre eller moderate kvæstelser.****Fare for at komme i klemme**

- Grib ikke ind i hængslet.

**Sundhedsfare**

- Levnedsmidler må kun opbevares i original emballage eller egnede beholdere.

**VIGTIGT! Fare for beskadigelse**

- Sammenlign spændingsangivelsen på typeskiltet med energiforsyningen, der er til rådighed.
- Træk aldrig stikket ud af stikdåsen med tilslutningskablet.
- Køleapparatet er ikke egnet til opbevaring af stoffer, der er ætsende eller indeholder opløsningsmidler!
- Hold altid udløbsåbningen ren.
- Åbn under ingen omstændigheder kølekredsløbet.
- Transportér aldrig apparatet i vandret stilling, så der ikke kan løbe olie ud af kompressoren.
- Sørg ved transport for, at kølekredsløbet ikke beskadiges. Kølemidlet i kølekredsløbet er letantændeligt.  
Ved en beskadigelse af kølekredsløbet:
  - Undgå åben ild og antændelsesgnister.
  - Udluft rummet grundigt.
- Stil apparatet på et tørt sted, der er beskyttet mod stænkvand.

## 2.2 Sikkerhed under anvendelse af apparatet

**FARE! Manglende overholdelse af disse advarsler medfører dødelige eller alvorlige kvæstelser.****Livsfare på grund af elektrisk stød**

- Tag aldrig fat i uisolerede ledninger med bare hænder.



## **FORSIGTIG! Manglende overholdelse af disse forsigtigheds-henvisninger kan medføre mindre eller moderate kvæstelser.**

### **Livsfare på grund af elektrisk stød**

- Kontrollér før ibrugtagning, at ledningen og stikket er tørre.

### **Sundhedsfare**

- Hvis døren åbnes i et længere tidsrum, kan det forårsage en betydelig temperaturstigning i apparatets rum.
- Rengør regelmæssigt overflader, som kan komme i kontakt med levnedsmidler og adgang til kloaksystemer.
- Opbevar rå kød og fisk i egnede beholdere i apparatet, så de ikke kommer i berøring med andre levnedsmidler eller drypper på dem.
- Hvis apparatet står tomt i længere tid:
  - Sluk apparatet.
  - Afrim apparatet.
  - Rengør og tør apparatet.
  - Lad døren stå åben for at forhindre, at der dannes skimmel i apparatet.



### **VIGTIGT! Fare for beskadigelse**

- Anvend ikke elektriske apparater i køleapparatet, undtagen hvis producenten anbefaler disse apparater hertil.
- Stil ikke apparatet i nærheden af åben ild eller andre varmekilder (varmeapparater, stærk sol, gasovne osv.).
- **Fare for overophedning!**  
Sørg altid for, at varme, der opstår under driften, kan føres tilstrækkeligt bort. Sørg for, at apparatet har tilstrækkelig afstand til vægge og genstande, så luften kan cirkulere.
- Ventilationsåbningerne må ikke tildækkes.
- Fyld ikke væsker eller is i den indvendige beholder.
- Dyp aldrig apparatet i vand.
- Beskyt apparatet og kablerne mod varme og fugtighed.
- Sørg for, at fødevarerne ikke berører kølerummets væg.



### 3 Korrekt brug

Køleapparatet egner sig til af køle drikkevarer og snacks.

Apparatet er beregnet til tilslutning til en 220 – 240 V~ -netforsyning.



#### **FORSIGTIG! Sundhedsfare!**

Kontrollér, om apparatets kølekapacitet svarer til kravene for fødevarerne eller lægemidlerne, som du vil køle.

### 4 Leveringsomfang

Mængde	Betegnelse
1	Minibar
1	Monterings- og betjeningsvejledning

### 5 Teknisk beskrivelse

Køleapparatet kan køle produkter til et maksimum på 21 °C (kun RH430LD, RH440LD, RH460LD) eller 18 °C (kun RH430LG, RH440LG, RH460LG) under udenomstemperaturen og holde dem kolde. Et skillegitter kan anvendes til at adskille fødevarer, f.eks. flasker og slik.

#### **Betjeningslement**

Pos. på fig. 1, side 3	Betegnelse
1	Temperaturregulering

#### **Afrimningsfunktion**

Der dannes gradvist rim på køleoverfladerne. For at forhindre denne rimdannelse har apparatet en funktion, der slukker aggregatet i to timer for hver 24 timer.

I løbet af afrimningsfasen på to timer smelter rimmen, og afrimningsvandet løber ned i et fordampningsbeholder fornedet på bagsiden af køleskabet. Afrimningsvandet fordampes automatisk, så beholderen ikke skal tømmes manuelt.

## 6 Montering



### **ADVARSEL! Elektrisk stød!**

Manglende overholdelse af disse anvisninger kan medføre dødelige eller alvorlige kvæstelser.

- Når apparatet positioneres, skal det sikres, at strømledningen sidder i klemme eller beskadiges.
- Placér ikke flere bærbare stikdåser eller bærbare strømforsyninger i bagved apparatet.



### **FORSIGTIG! Sundhedsfare**

For at undgå en fare, fordi apparatet er ustabil, skal det fastgøres i overensstemmelse med anvisningerne.

Køleapparatet er monteret til fritstående anvendelse. Det kan også monteres i et møbel, hvis følgende betingelser er opfyldt. Kun på den måde er en optimal drift og en maksimal køling sikret.

- Køleapparatet skal justeres omhyggeligt.
- Afstanden mellem bagsiden og væggen skal være mindst 20 mm.
- Ventilationen skal være realiseret som f.eks. i alternativerne A, B, C eller D (fig. **2**, side 3).
- Ventilationskanalen skal have et tværsnit på mindst 105 mm x køleapparatets bredde.
- Køleaggregatet skal rage helt i ventilationskanalen. Andre dele må ikke rage ind i ventilationskanalen (fig. **2**, side 3).
- Luften, der strømmer gennem ventilationskanalen, må ikke være opvarmet af en anden varmekilde.
- Der må kun anvendes ventilationsgitre (option), der har et frit tværsnitsareal på mindst 200 cm<sup>2</sup>.
- Ved varianter med glasdøre kan der kondenseres fugtighed på døren, når luftfugtigheden er mere end 65 % ved 25 °C.
- Køleapparatet skal fastgøres. Anend skruer med en passende længde, og før dem gennem apparatets fødder (fig. **3**, side 3).
- Der skal være fri adgang til stikdåsen, hvor apparatet tilsluttes.

### **6.1 Udskiftning af dekorationspladen**

Du kan udskifte dekorationspladen: fig. **4** til fig. **7**, side 4.

## 6.2 Montering af slæbebeslag (option)

Du kan montere et slæbebeslag, med hvilket køleapparatets dør åbnes samtidigt med det indbyggede skabs dør: fig. **8**, side 5, til fig. **23**, side 8.

## 6.3 Skift af døranslaget

Sådan skifter du døranslaget: fig. **24** til fig. **28**, side 9.

Kun til døre med slæbebeslag: fig. **26** og fig. **27**, side 9.

# 7 Betjening



### **FORSIGTIG! Sundhedsfare!**

Kontrollér, om apparatets kølekapacitet svarer til kravene for fødevarer eller lægemidlerne, som du vil køle.



### **BEMÆRK**

- Før du tager køleapparatet i brug, bør du af hygiejniske årsager rengøre det indvendigt og udvendigt med en fugtig klud (se også „Rengøring og pleje“ på side 18).
- Hvis dannes et par vand i køleapparatet, når det har kølet i en længere periode, er køleapparatet ikke defekt. Luftfugtighed kondenserer til vand, når temperaturen i køleapparatet falder. Tør evt. vandet op med en tør klud.

## 7.1 Tips til energibesparelse

- Vælg et anvendelsessted, der er godt ventileret og beskyttet mod sol.
- Lad først varm mad afkøle, før du holder den kold i apparatet.
- Åbn ikke køleapparatet hyppigere end nødvendigt.
- Lad ikke køleapparatet forblive åbent længere end nødvendigt.

## 7.2 Anvendelse af køleapparatet



### VIGTIGT! Fare for beskadigelse!

- Sørg for, at der kun er genstande eller varer i køleapparatet, der må afkøles til den valgte temperatur.
- Vær opmærksom på, at drikkevarer eller mad i glasbeholdere ikke afkøles for kraftigt. Drikkevarer og mad med stort væskeindhold udvider sig, når de fryses. Derved kan glasbeholdere blive ødelagt.
- Sørg for, at køleapparatet ventileres godt, så den afledte varme kan føres bort. I modsat fald er en korrekt funktion ikke sikret. Især må ventilationsåbningerne ikke tildækkes.



### BEMÆRK

Hvis køleapparatet ikke benyttes i længere tid, skal døren stå lidt åben for at forhindre lugtgener.

- ▶ Stil køleapparatet på et fast underlag.
- ▶ Tilslut tilslutningskablet til vekselstrømsnettet.
- ✓ Køleapparatet starter med at køle det indvendige rum.
- ▶ Stil temperaturreguleringen (fig. **1** 1, side 3) på den ønskede temperatur (3 – 12 °C).
- ▶ Hvis du tager køleskabet ud af drift, skal du trække tilslutningskablet ud eller ...
- ▶ dreje temperaturreguleringen (fig. **1** 1, side 3) mod uret til positionen OFF.

## 8 Rengøring og vedligeholdelse



### ADVARSEL!

Afbryd før rengøring og vedligeholdelse køleapparatet fra strømforsyningen.



### VIGTIGT! Fare for beskadigelse!

- Rengør aldrig køleapparatet under rindende vand eller i opvaskevand.
- Anvend ikke skræppe rengøringsmidler eller hårde genstande ved rengøringen, da de kan beskadige køleapparatet.

- Anvend en blød klud, lunkent vand og et mildt rengøringsmiddel eller opvaskemiddel til at rengøre køleapparatets indre.
- Tør køleapparatet efter med rent vand, og tør det grundigt.
- Fjern af og til støv fra køleaggregatet på køleapparatets bagside med en børste eller en blød klud.

## 8.1 Udskiftning af apparatets lys



### ADVARSEL!

Afbryd apparatet fra strømforsyningen, før du udskifter apparatets lys.

Apparatet har et lysdiodekort som belysningsmiddel. Et nyt lysdiodekort kan købes hos Dometic.

- Udskift lysdiodelyset på følgende måde: fig. **29**, side 10

## 9 Udbedring af fejl

Problem	Mulig årsag	Løsningsforslag
Apparatet køler ikke (aggregatet på bagsiden af apparatet er koldt).	Apparatets stik er ikke sat i.	Sæt apparatets stik i.
	Vekselspændingsstikdåsen har ikke spænding.	Kontrollér sikringen, eller prøv at bruge et andet stik.
	Apparatet er i afrimningsfasen.	Kontrollér igen efter 2 timer, om apparatet køler, da afrimningsfasen varer 2 timer.
	Elektronikken eller sensoren er defekt.	Reparationen kan kun foretages af en tilladt kundeserviceenhed.
Apparatet køler ikke (aggregatet på bagsiden af apparatet er varmt).	Varmeelementet er defekt.	Reparationen kan kun foretages af et tilladt reparationscenter.
	Apparatet står ikke vandret.	Justér apparatet med et vaterpas.
	Apparatet blev kun tændt for kort tid siden.	Lad apparatet køre i 5 til 6 timer.
	Aggregatet er defekt.	Reparationen kan kun foretages af et tilladt reparationscenter.

Problem	Mulig årsag	Løsningsforslag
Enhedens kølefunktionen er dårlig.	Aggregatet ventileres ikke tilstrækkeligt.	Kontrollér, at ventilationsåbningerne ikke er tildækket.  Kontrollér, at apparatet er blevet installeret i overensstemmelse med fig. <b>2</b> , side 3.
	Apparatet er udsat for varme eller direkte sollys.	Flyt apparatet.
	Apparatets dør lukker ikke tæt.	Kontrollér, om døren er installeret korrekt. Et tilladt reparationscenter kan evt. installere en ny dør.
	Apparatet blev fyldt for kort tid siden.	Kontrollér temperaturen efter 5 til 6 timer.
Der dannes rim i apparatet.	Apparatets dør lukker ikke tæt.	Kontrollér, om døren er installeret korrekt. Et tilladt reparationscenter kan evt. installere en ny dør.




## 10 Bortskaffelse




- Bortskaf så vidt muligt emballagen sammen med det tilsvarende genbrugsaffald.



Hvis du tager produktet endegyldigt ud af drift, skal du kontakte det nærmeste recyclingcenter eller din faghandel for at få de pågældende forskrifter om bortskaffelse.

# 11 Tekniske data

	<b>RH430LD</b>	<b>RH430LG</b>	<b>RH440LD</b>
Bruttoindhold:	30 l		40 l
Tilslutningsspænding:	220 – 240 V~, 50/60 Hz		
Effektforbrug:	65 W		
Temperaturområde:	+3 °C til +12 °C		
Kategori:	2 (kælder)		
Energieffektivitetsklasse:	D	F	D
Energiforbrug (kWh/årligt):	260	365	266
Anvendeligt indhold:	26 l	27 l	36 l
Klimaklasse:	N, T		
Kølemiddelmængde:	100 g		
Udenomstemperatur	+16 °C til +32 °C		
Støjemission (lydeffekt):	0 dB		
Mål (B x D x H):	384 x 410 x 522	384 x 420 x 522	401 x 446 x 554
Vægt:	13,95 kg	16,7 kg	15 kg
Test/certifikat:	  		

	<b>RH440LG</b>	<b>RH460LD</b>	<b>RH460LG</b>
Bruttoindhold:	40 l	60 l	
Tilslutningsspænding:	220 – 240 V~, 50/60 Hz		
Effektforbrug:	65 W	80 W	
Temperaturområde:	+3 °C til +12 °C		
Kategori:	2 (kælder)		
Energieffektivitetsklasse:	F	F	G
Energiforbrug (kWh/årligt):	365	372	449
Anvendeligt indhold:	37 l	55 l	56 l
Klimaklasse:	N, T		
Kølemiddelmængde:	100 g		
Udenomstemperatur	+16 °C til +32 °C		
Støjemission (lydeffekt):	0 dB		
Mål (B x D x H):	401 x 456 x 554	486 x 474 x 563	486 x 484 x 563
Vægt:	18,4 kg	17,95 kg	22,15 kg
Test/certifikat:	  		



**Läs igenom anvisningen noga innan kylen används. Spara den för senare bruk. Om kylen byter ägare ska anvisningen följa med.**

Tillverkaren ansvarar inte för skador som uppstår p.g.a. **icke ändamålsenlig användning** eller **felaktig hantering/skötsel**.

## Innehållsförteckning

1	Förklaring till symboler . . . . .	113
2	Säkerhetsanvisningar . . . . .	114
3	Ändamålsenlig användning . . . . .	117
4	Leveransomfattning. . . . .	117
5	Teknisk beskrivning. . . . .	117
6	Montering . . . . .	118
7	Användning. . . . .	119
8	Rengöring och skötsel . . . . .	120
9	Felsökning . . . . .	121
10	Avfallshantering. . . . .	122
11	Tekniska data. . . . .	123

## 1 Förklaring till symboler



### **FARA!**

**Säkerhetsanvisning** för en farlig situation som, om den inte går att undvika, ger upphov till dödsfall eller allvarliga personskador.



### **VARNING!**

**Säkerhetsanvisning** för en farlig situation som, om den inte går att undvika, kan ge upphov till dödsfall eller allvarliga personskador.



### **AKTA!**

**Säkerhetsanvisning** för en farlig situation som, om den inte går att undvika, kan ge upphov till en lindrig eller måttlig personskada.

**OBSERVERA!**

Anvisning för en situation som, om den inte går att undvika, kan ge upphov till materiella skador.

**ANVISNING**

Kompletterande information om användning av produkten.

## 2 Säkerhetsanvisningar

### 2.1 Allmän säkerhet



**FARA! Om man underlåter att följa de här varningarna blir följden dödsfall eller allvarlig personskada.**

**Risk för strömstötar – livsfara**

- För båt: Se till att strömförsörjningen är säkrad med en jordfelsbrytare.



**VARNING! Om man underlåter att följa de här varningarna kan följden bli dödsfall eller allvarlig personskada.**

**Risk för strömstötar – livsfara**

- Installationer i fuktiga utrymmen och områden som är utsatta för vatten får endast utföras av fackmän.
- Om apparaten uppvisar synliga skador får den ej tas i drift.
- Om apparatens anslutningskabel skadas måste den, av säkerhetsskäl, bytas ut av tillverkaren, tillverkarens kundtjänst eller annan behörig person.
- Denna apparat får endast repareras av härför utbildad personal. Icke fackmässiga reparationer kan medföra allvarliga risker.

**Hälsorisk**

- Barn från åtta års ålder, personer med nedsatt fysisk, sensorisk eller mental förmåga, eller personer med bristande erfarenhet och kunskaper får använda den här apparaten förutsatt att de hålls under uppsikt eller om de har fått anvisningar om hur man använder den här apparaten på ett säkert sätt och känner till vilka risker som är förknippade med användningen.
- Barn får inte leka med apparaten.
- Rengöring och underhåll får inte genomföras av barn utan uppsikt.

- Barn i åldrarna tre till åtta år får lasta in eller ut varor i eller ur kylapparater

### Explosionsrisk

- Lagra inga ämnen som kan explodera i apparaten, som t.ex. sprayburkar med brännbar drivgas.



**AKTA! Om man underlåter att följa de här försiktighetsåtgärderna kan följden bli lindrig eller måttlig personskada.**

### Risk för klämskador

- Håll fingrarna borta från gångjärnen.

### Hälsorisk

- Livsmedel får endast förvaras i originalförpackningarna eller i andra lämpliga behållare.



### OBSERVERA! Risk för skador

- Jämför spänningssuppgifterna på typskylten med elförsörjningen på plats.
- Dra aldrig ut stickkontakten ur uttaget genom att dra i anslutningskabeln.
- Kylapparaten är inte ämnad för lagring av frätande ämnen och ämnen som innehåller lösningsmedel.
- Se till att utloppsöppningen alltid är ren.
- Öppna aldrig kylkretsloppet.
- Transportera aldrig apparaten vågrätt, eftersom olja kan rinna ut ur kompressorn.
- Se till att inte skada kylkretsloppet vid transport. Kylmedlet i kylkretsloppet är lättantändligt.  
Vid skador på kylkretsloppet:
  - Undvik öppen eld och gnistbildning.
  - Ventilera rummet noga.
- Ställ upp apparaten i ett torrt utrymme, se till att den skyddas mot vattenstänk.

## 2.2 Säkerhet under användning



**FARA! Om man underlåter att följa de här varningarna blir följden dödsfall eller allvarlig personskada.**

### Risk för strömstötar – livsfara

- Ta inte tag i avskalade ledningar med händerna.

**AKTA! Om man underlåter att följa de här försiktighetsåtgärderna kan följden bli lindrig eller måttlig personskada.****Risk för strömstötar – livsfara**

- Kontrollera, innan apparaten tas i drift, att elkabeln och stickkontakten är torra.

**Hälsorisk**

- Om dörren hålls öppen under en längre tid kan detta leda till betydligt högre temperaturer i apparatens fack.
- Rengör med jämna mellanrum ytor som kan komma i kontakt med livsmedel och åtkomliga avloppssystem.
- Förvara rått kött och rå fisk i lämpliga behållare i apparaten, så att de inte kommer i kontakt med andra livsmedel eller droppar på dessa.
- Om apparaten står tom under en längre tid:
  - Stäng av apparaten.
  - Frosta av apparaten.
  - Rengör och torka apparaten.
  - Låt dörren vara öppen, så att det inte bildas mögel.

**OBSERVERA! Risk för skador**

- Använd inga elektriska apparater för arbeten inne i kylapparaten. Undantag: apparaterna rekommenderas för sådan användning av tillverkaren.
- Ställ inte upp den i närheten av öppen eld eller andra värmekällor (värmeelement, starkt solljus, gasspisar osv.).
- **Risk för överhettning!**  
Se till att värmen som alstras under användningen kan avledas ordentligt. Apparaten måste ha tillräckligt stort avstånd till väggen/andra föremål, så att luften kan cirkulera fritt.
- Se till att ventilationsöppningarna inte täcks över.
- Fyll inte innerfacket med vätskor eller is.
- Doppa aldrig ned apparaten i vatten.
- Skydda apparaten och kablarna mot hetta och fukt.
- Se till att livsmedlen i kylskåpet inte vidrör väggarna i kylan.

## 3 Ändamålsenlig användning

Kylen är avsedd för kylning av drycker och livsmedel.

Apparaten är avsedd att användas tillsammans med ett 220 – 240 V~ -elnät.



### AKTA! Hälsorisk!

Kontrollera om kyleffekten motsvarar kraven för de livsmedel eller mediciner du vill hålla kalla.

## 4 Leveransomfattning

Mängd	Beteckning
1	Minibar
1	Monterings- och bruksanvisning

## 5 Teknisk beskrivning

Med hjälp av den här kylapparaten kan man kyla produkter till maximalt 21 °C (gäller endast RH430LD, RH440LD, RH460LD) eller 18 °C (gäller endast RH430LG, RH440LG, RH460LG) under omgivningstemperaturen och hålla dem kalla. Med ett galler kan man skilja på olika livsmedel, t.ex. mellan flaskor och godis.

### Reglage

Pos. på bild  , sida 3	Beskrivning
1	Termostat

### Avfrostningsfunktion

Med tiden bildas det frost på kylningsytorna. Apparaten har utrustats med en funktion med vars hjälp det en gång om dygnet är möjligt att stänga av aggregatet i två timmar för att förhindra att det bildas frost.

Under avfrostningsfasen, som pågår i två timmar, smälter frosten medan smältvattnet leds till avdunstningskärlet som är placerat längst ned på kylskåpets baksida. Smältvattnet avdunstar automatiskt vilket innebär att man inte behöver tömma kärlet manuellt.

## 6 Montering



### **VARNING! Elchock!**

Om man underlåter att följa de här anvisningarna kan följden bli dödsfall eller allvarlig personskada.

- Kontrollera att elsladden inte har fastnat eller skadats i samband med placering av apparaten.
- Placera inte ut flera bärbara uttag eller bärbara nätaggregat bakom apparaten.



### **AKTA! Hälsorisk**

Fastsätt apparaten enligt anvisningarna så att det inte uppstår risker till följd av instabilitet.

Kylen är konstruerad för fristående användning. Den kan även byggas in i en möbel om följande villkor är uppfyllda. Endast på detta sätt kan man garantera optimal användning och maximal kyleffekt.

- Kylen måste justeras noggrant.
- Avståndet mellan kylens baksida och väggen måste vara minst 20 mm.
- Ventilationen måste utföras som alternativ A, B, C eller D (bild **2**, sida 3).
- Ventilationskanalen måste ha ett tvärsnitt på minst 105 mm x bredden på kylen.
- Hela kylaggregatet måste befinna sig i ventilationskanalen. Inga andra delar får befinna sig i ventilationskanalen (bild **2**, sida 3).
- Luften som passerar ventilationskanalen får inte vara uppvärmd av någon annan värmekälla.
- Endast ventilationsgaller (tillval) med en fri tvärsnittsytta på minst 200 cm<sup>2</sup> får användas.
- På varianter med glasdörrar kan fukt kondensera på dörren när luftfuktigheten är högre än 65 % vid 25 °C.
- Kylapparaten måste vara fastsatt. Använd lämpligt långa skruvar och för in dem genom apparatens fötter (bild **3**, sida 3).
- Uttaget som produkten ansluts till måste sitta på en lättåtkomlig plats.

### 6.1 Byta dekorpanel

Dekorpanelen kan bytas ut: bild **4** till bild **7**, sida 4.

## 6.2 Montera glidgångjärn (tillval)

Du kan montera ett glidgångjärn, med vilket kylbehållaren öppnas samtidigt som inbyggnadsskåpets dörr. bild **8**, sida 5, till bild **23**, sida 8.

## 6.3 Omhängning av dörren

Omhängning av dörren: bild **24** till bild **28**, sida 9.

Bara för dörrar med glidgångjärn: bild **26** och bild **27**, sida 9.

# 7 Användning



### AKTA! Hälsorisk!

Kontrollera om kyleffekten motsvarar kraven för de livsmedel eller mediciner du vill hålla kalla.



### ANVISNING

- Innan den nya kylen tas i drift ska den, av hygieniska skäl, torkas av in- och utvändigt med en fuktig trasa (se även "Rengöring och skötsel" på sida 18).
- Det är inte något fel på aggregatet om det bildas några droppar vatten inuti aggregatet när det har kylts under en längre period. I takt med att temperaturen i aggregatet sjunker kondenseras luftfukt och ombildas till vatten. Torka vid behov bort vattnet med en torr trasa.

## 7.1 Tips för energibesparing

- Välj en uppställningsplats med god ventilation som är skyddad mot direkt solljus.
- Låt varm mat svalna innan den läggs in i kylapparaten.
- Öppna inte kylapparaten oftare än nödvändigt.
- Låt inte kylskåpsdörren stå öppen längre än nödvändigt.

## 7.2 Använda kylan



### **OBSERVERA! Risk för skador!**

- Se till att det endast finns föremål resp. varor i kylan som får kylas till den inställda temperaturen.
- Se till att vätskor eller matvaror i glasbehållare inte kyls ned för mycket. Vätskor expanderar under frysning. Glasbehållarna kan då gå sönder.
- Kylan måste ha god ventilation så att värmen avleds ordentligt, annars kan inte funktionen säkerställas. Särskilt ventilationsöppningarna får inte vara övertäckta.



### **ANVISNING**

Om kylan ska stå oanvänd under en längre tid, låt dörren stå på glänt så att det inte börjar lukta illa inuti.

- ▶ Ställ kylan på ett fast underlag.
- ▶ Anslut anslutningskabeln till växelströmsnätet.
- ✓ Kylan startar och kyls invändigt.
- ▶ Ställ temperaturregleringen (bild **1** 1, sida 3) på önskad temperatur (3 – 12 °C).
- ▶ Dra ut anslutningskabeln när kylan inte ska användas längre eller...
- ▶ Vrid temperaturregleringen (bild **1** 1, sida 3) moturs till läget OFF.

## 8 Rengöring och skötsel



### **WARNING!**

Bryt alltid strömtillförseln till kylan före rengöring och skötsel.



### **OBSERVERA! Risk för skador!**

- Rengör aldrig kylan under rinnande vatten eller i diskvatten.
- Använd inga starka rengöringsmedel eller hårda föremål vid rengöring, det kan skada kylan.

- ▶ Använd en mjuk trasa, ljummet vatten och ett mildt rengöringsmedel eller diskmedel för att rengöra kylens insida.



- Rengör kylan med rent vatten och låt den torka ordentligt.
- Använd en borste eller en mjuk trasa och avlägsna med jämna mellanrum damm från kylaggregatet på kylens baksida.

## 8.1 Byta apparatens lampor



### VARNING!

Koppla alltid bort apparaten från elnätet före byte av apparatens lampor.

Apparaten belyses med hjälp av ett LED-kort. Hos Dometic kan man beställa ett nytt LED-kort.

- Gör så här för att byta LED-lamporna: bild **29**, sida 10

## 9 Felsökning

Problem	Möjlig orsak	Lösning
Apparaten kyls inte (aggregatet på apparatens baksida är kallt).	Apparatens kontakt är inte istoppad.	Stoppa in apparatens kontakt.
	Ingen spänning i växelströmsuttaget.	Kontrollera säkringen eller försök att använda ett annat stickuttag.
	Apparaten körs i avfrostningsfasen.	Kontrollera igen efter 2 timmar att apparaten kyls, eftersom avfrostningen pågår i 2 timmar.
	Det är fel på elektroniken eller sensorn.	Den här typen av reparationer får endast utföras hos en auktoriserad kundservice.
Apparaten kyls inte (aggregatet på apparatens baksida är varmt).	Det är fel på värmeelementet.	Reparationer får endast utföras på en auktoriserad reparationscentral.
	Apparaten står inte vågrätt.	Rikta in apparaten så att den står rakt med hjälp av ett vattenpass.
	Apparaten har precis startats.	Låt apparaten vara igång i 5 till 6 timmar.
	Det är fel på aggregatet.	Reparationer får endast utföras på en auktoriserad reparationscentral.

Problem	Möjlig orsak	Lösning
Apparaten har dålig kyleffekt.	Aggregatet får inte tillräckligt med luft.	Se till att ventilationsgallren inte är övertäckta.  Kontrollera att apparaten är installerad enligt bild <b>2</b> , sida 3.
	Apparaten utsätts för värme eller direkt solsken.	Placera om apparaten.
	Apparatens dörr går inte riktigt igen.	Kontrollera att dörren är korrekt installerad. På en auktoriserad reparationscentral kan man vid behov installera en ny dörrtätning ..
	Apparaten kommer precis från lagret.	Kontrollera temperaturen efter 5 till 6 timmar.
Det bildas frost inuti apparaten.	Apparatens dörr går inte riktigt igen.	Kontrollera att dörren är korrekt installerad. På en auktoriserad reparationscentral kan man vid behov installera en ny dörrtätning ..




## 10 Avfallshantering




- Lämna om möjligt förpackningsmaterialet till återvinning.



När produkten slutgiltigt tas ur bruk: informera dig om gällande bestämmelser hos närmaste återvinningscentral eller hos återförsäljaren.

# 11 Tekniska data

	<b>RH430LD</b>	<b>RH430LG</b>	<b>RH440LD</b>
Bruttovolym:	30 l		40 l
Anslutningsspänning:	220 – 240 V~, 50/60 Hz		
Effektbehov:	65 W		
Temperaturområde:	+3 °C till +12 °C		
Kategori:	2 (källare)		
Energieffektklass:	D	F	D
Energiförbrukning (kWh/år):	260	365	266
Förbrukningsbar kapacitet:	26 l	27 l	36 l
Klimatklass:	N, T		
Köldmediemängd:	100 g		
Omgivningstemperatur:	+16 °C till +32 °C		
Bullervärden (ljudeffekt):	0 dB		
Mått (B x D x H):	384 x 410 x 522	384 x 420 x 522	401 x 446 x 554
Vikt:	13,95 kg	16,7 kg	15 kg
Test/certifikat:	  		

	<b>RH440LG</b>	<b>RH460LD</b>	<b>RH460LG</b>
Bruttovolym:	40 l	60 l	
Anslutningsspänning:	220 – 240 V~, 50/60 Hz		
Effektbehov:	65 W	80 W	
Temperaturområde:	+3 °C till +12 °C		
Kategori:	2 (källare)		
Energieffektklass:	F	F	G
Energiförbrukning (kWh/år):	365	372	449
Förbrukningsbar kapacitet:	37 l	55 l	56 l
Klimatklass:	N, T		
Köldmediemängd:	100 g		
Omgivningstemperatur:	+16 °C till +32 °C		
Bullervärden (ljudeffekt):	0 dB		
Mått (B x D x H):	401 x 456 x 554	486 x 474 x 563	486 x 484 x 563
Vikt:	18,4 kg	17,95 kg	22,15 kg
Test/certifikat:	  		

**Les bruksanvisningen nøye før du tar apparatet i bruk og ta vare på den. Hvis kjøleapparatet selges videre, må du sørge for å gi bruksanvisningen videre også.**

Produsenten påtar seg intet ansvar for skader som skyldes **ikke tiltenkt bruk** eller **feil bruk**.

## Innholdsfortegnelse

1	Symbolforklaring	125
2	Sikkerhetsregler	126
3	Tiltenkt bruk	129
4	Leveringsomfang	129
5	Teknisk beskrivelse	129
6	Montasje	130
7	Betjening	131
8	Rengjøring og stell	132
9	Utbedring av feil	133
10	Avfallshåndtering	134
11	Tekniske spesifikasjoner	135

## 1 Symbolforklaring



### **FARE!**

**Sikkerhetshenvisning** til en faresituasjon som fører til alvorlige personskader, eventuelt med døden til følge, dersom de ikke blir unngått.



### **ADVARSEL!**

**Sikkerhetshenvisning** til en faresituasjon som kan føre til alvorlige personskader, eventuelt med døden til følge, dersom de ikke blir unngått.



### **FORSIKTIG!**

**Sikkerhetshenvisning** til en faresituasjon som kan føre til lette eller middels alvorlige personskader, dersom de ikke blir unngått.

**PASS PÅ!**

Henvising til en situasjon som kan føre til tingskader dersom den ikke blir unngått.

**MERK**

Utfyllende informasjon om betjening av produktet.

## 2 Sikkerhetsregler

### 2.1 Generell sikkerhet



**FARE! Manglende overholdelse av disse advarslene resulterer i alvorlige personskader, eventuelt med døden til følge.**

**Livsfare på grunn av strømstøt**

- For båter: Ved nettdrift må apparatet være sikret via en jordfeilbryter.



**ADVARSEL! Manglende overholdelse av disse advarslene kan resultere i alvorlige personskader, eventuelt med døden til følge.**

**Livsfare på grunn av strømstøt**

- Få fagfolk til å utføre installasjoner i våtrom og på områder som utsettes for vann.
- Apparatet må ikke tas i bruk hvis det har synlige skader.
- Hvis tilkoblingskabelen på dette apparatet blir skadet, må den erstattes av produsent, kundeservice eller annen kvalifisert person for å unngå farlige situasjoner.
- Reparasjoner på dette apparatet må kun utføres av fagfolk. Usakkyndige reparasjoner kan føre til alvorlige farer.

**Helsefare**

- Dette apparatet kan brukes av barn fra 8 år og oppover og personer med reduserte fysiske, sensoriske eller mentale evner eller som mangler erfaring og kunnskap, hvis de er under oppsyn eller har fått veiledning i hvordan apparatet brukes på en forsvarlig måte og forstår hvilke farer det innebærer.
- Barn må ikke leke med apparatet.
- Rengjøring og vedlikehold må ikke utføres av barn uten at de er under oppsikt.

- Barn i alderen 3–8 år får lov til å laste og losse kjøleapparater

### **Eksplisjonsfare**

- Ikke lagre eksplosjonsfarlige stoffer som f.eks. spraybokser med drivgass i apparatet.



**FORSIKTIG! Manglende overholdelse av disse forsiktighetsvarslene kan resultere i mindre til moderate personskader.**

### **Fare for kvestelser**

- Ikke ta tak i hengselet.

### **Helsefare**

- Næringsmidler må kun oppbevares i originalforpakning eller i egnede beholdere.



### **PASS PÅ! Fare for skade**

- Sammenlign spenningsspesifikasjonene på merkeskiltet med tilgjengelig strømtilførsel.
- Trekk aldri støpslet ut av stikkontakten etter ledningen.
- Kjøleapparatet er ikke egnet for lagring av etsende eller løsemiddelholdige stoffer.
- Avløpsåpningen må holdes ren.
- Kjølekretsløpet må ikke åpnes under noen omstendigheter.
- Apparatet må ikke transporteres i vannrett stilling, ellers kan oljen renne ut av kompressoren.
- Se til at kjølekretsløpet ikke kommer til skade under transporten. Kjølemiddelet i kjølekretsløpet er lett antennelig.
  - Unngå åpen ild og gnister.
  - Sørg for god ventilasjon i rommet.
- Sett apparatet på et tørt sted som ikke er utsatt for vannsprut.

## **2.2 Sikkerhet ved bruk av apparatet**



**FARE! Manglende overholdelse av disse advarslene resulterer i alvorlige personskader, eventuelt med døden til følge.**

### **Livsfare på grunn av strømstøt**

- Ta ikke i bare ledninger med bare hender.

**FORSIKTIG! Manglende overholdelse av disse forsiktighetsvarslerne kan resultere i mindre til moderate personskader.****Livsfare på grunn av strømstøt**

- Før du tar apparatet i bruk, må du passe på at ledningen og støpslet er tørre.

**Helsefare**

- Åpning av døren over en lengre periode kan forårsake en vesentlig temperaturøkning i apparatets skuffer.
- Overflater som kan komme i kontakt med matvarer og tilgjengelige deler av dreneringssystemet må rengjøres regelmessig.
- Oppbevar rått kjøtt og fisk i egnede beholdere i apparatet, slik at de ikke kommer i kontakt med eller drypper på andre matvarer.
- Hvis apparatet står tomt over lengre tid:
  - Slå av apparatet.
  - Avrim apparatet.
  - Rengjør og tørk apparatet.
  - La dørene stå åpne for å forhindre muggdannelse i apparatet.

**PASS PÅ! Fare for skade**

- Ikke bruk elektriske apparater inne i kjøleapparatet dersom disse apparatene ikke er anbefalt brukt av produsenten for dette.
- Ikke plasser apparatet i nærheten av åpen flamme eller andre varmekilder (oppvarming, sterk solbestråling, gassovner osv.).
- **Fare for overoppheting!**

Påse at varme som oppstår under drift alltid blir ventilert bort på en tilfredsstillende måte. Påse derfor at apparatet står langt nok unna vegger eller gjenstander, slik at luften kan sirkulere.
- Pass på at lufteåpningene ikke blir blokkert.
- Fyll ikke væsker eller is i den innvendige beholderen.
- Dypp aldri apparatet i vann.
- Beskytt apparatet og kablen mot varme og fuktighet.
- Påse at matvarer ikke kommer i kontakt med veggene i kjølerommet.



### 3 Tiltenkt bruk

Kjøleapparatet er beregnet på nedkjøling av drikke og snacks.

Enheten er konstruert for bruk på en 220 – 240 V~ nettforsyning.



#### **FORSIKTIG! Helsefare!**

Kontroller om apparatets kjøleeffekt oppfyller kravene til matvarene eller medikamentene som du ønsker å kjøle.

### 4 Leveringsomfang

Antall	Beskrivelse
1	Minibar
1	Monterings- og bruksanvisning

### 5 Teknisk beskrivelse

Kjøleenheten kan kjøle produkter til maksimum 21 °C (kun RH430LD, RH440LD, RH460LD) eller 18 °C (kun RH430LG, RH440LG, RH460LG) under omgivelsestemperaturen, og holde dem kalde. Et skillegitter kan brukes til å atskille matvarer, f.eks. flasker og søtsaker.

#### Betjeningselement

Pos. i fig. 1, side 3	Betegnelse
1	Temperaturregulator

#### Avrimingsfunksjon

Det vil gradvis danne seg rim på kjøleflatene. For å forhindre denne rimdannelsen har enheten en funksjon som slår av kjøleenheten i to timer hvert døgn.

I løpet av den to timers avrimingsfasen vil rimet smelte og smeltevannet renner til et fordampingskar plassert nederst bak kjøleskapet. Smeltevannet fordamper automatisk slik at karet ikke må tømmes manuelt.

## 6 Montasje



### ADVARSEL! Elektrisk støt!

Manglende overholdelse av disse instruksene kan resultere i alvorlige personskader, eventuelt med døden til følge.

- Ved posisjonering av apparatet må det sørges for at tilførselsledningen ikke sitter fast eller skades.
- Ikke plasser flere mobile strømkontakter eller mobile strømforsyninger bak på apparatet.



### FORSIKTIG! Helsefare

For å unngå farer som følge av en manglende stabilitet på apparatet, må det festes i samsvar med instruksene.

Kjøleapparatet er bygget for frittstående bruk. Det kan også bygges inn i et møbel dersom nedenforstående betingelser er oppfylt. Bare slik er en optimal drift og en maksimal kjøling sikret.

- Kjøleapparatet må innrettes nøye.
- Avstanden mellom baksiden og veggen må være minst 20 mm.
- Ventilasjonen må realiseres som i alternativene A, B, C eller D (fig. **2**, side 3).
- Luftekanalen må ha et tverrsnitt som tilsvarer minimum 105 mm x bredden til kjøleapparatet.
- Kjøleaggregatet må stikke helt inn i luftekanalen. Andre deler må ikke stikke inn i luftekanalen (fig. **2**, side 3).
- Luften som strømmer gjennom luftekanalen, må ikke være varmet opp av en annen varmekilde.
- Det skal bare brukes luftegitre (ekstrauststyr) som har en fri tverrsnittflate på minst 200 cm<sup>2</sup>.
- På varianter med glassdører kan fuktigheten kondensere på døren hvis luftfuktigheten er høyere enn 65 % ved 25 °C.
- Kjøleapparatet må festes. Benytt skruer med en passende lengde og sett dem inn gjennom apparatets føtter (fig. **3**, side 3).
- Stikkontakten som apparatet er koblet til, må forbli tilgjengelig.

### 6.1 Skifte ut dekorplate

Du kan skifte ut dekorplaten: fig. **4** til fig. **7**, side 4.

## 6.2 Montere slepebeslag (ekstrautstyr)

Man kan montere et slepebeslag for å åpne døren på kjøleapparatet sammen med døren på innbyggingsskapet: fig. **8**, side 5, til fig. **23**, side 8.

## 6.3 Bytte dørhengsler

Slik skifter du dørhengselet: fig. **24** til fig. **28**, side 9.

Bare for dører med slepebeslag: fig. **26** og fig. **27**, side 9.

# 7 Betjening



### FORSIKTIG! Helsefare!

Kontroller om apparatets kjøleeffekt oppfyller kravene til matvarene eller medikamentene som du ønsker å kjøle.



### MERK

- Før det nye kjøleapparatet tas i bruk, skal man av hygieniske årsaker rengjøre det innvendig og utenpå med en fuktig klut (se også «Rengjøring og pleie» på side 18).
- Hvis noen dråper vann dannes inne i kjøleenheten etter at den har kjølt i lengre tid, er det ikke noen defekt på kjøleenheten. Luftfuktigheten kondenserer til vann når temperaturen i kjøleenheten faller. Tørk ev. bort vannet med en tørr klut.

## 7.1 Tips for energisparing

- Velg et montasjested som har god ventilasjon og er beskyttet mot solstråling.
- Avkjøl varm mat før du plasserer den i apparatet for avkjøling.
- Ikke åpne kjøleapparatet lenger enn nødvendig.
- Ikke la kjøleskapet stå lenger åpent enn nødvendig.

## 7.2 Bruk av kjøleapparatet



### PASS PÅ! Fare for skade!

- Pass på at kun gjenstander hhv. varer som tåler nedkjøling til innstilt temperatur befinner seg i kjøleapparatet.
- Påse at drikke eller matvarer i glassbeholdere ikke blir for mye avkjølt. Ved frysing utvider drikke og flytende matvarer seg. Dermed kan glassbeholderne bli ødelagt.
- Pass på at kjøleapparatet får tilstrekkelig lufting, slik at varmen som trekkes inn kan ledes bort, hvis ikke er ikke feilfri funksjon garantert. Pass spesielt på at lufteåpningene ikke tildekkes.



### MERK

Hvis du ikke skal bruke kjøleapparatet på lang tid, må du la døren stå på gløtt for å unngå at det danner seg lukt.

- Sett kjøleapparatet på et fast underlag.
- Koble tilkoblingskabelen til vekselstrømnettet.
- ✓ Kjøleapparatet starter med nedkjøling av det innvendige rommet.
- Still temperaturregulatoren (fig. **1** 1, side 3) til ønsket temperatur (3 – 12 °C).
- Når du tar kjøleskapet ut av drift, trekker du ut tilkoblingskabelen eller ...
- dreier temperaturreguleringen (fig. **1** 1, side 3) mot klokka til posisjonen OFF.

## 8 Rengjøring og stell



### ADVARSEL!

Koble kjøleapparatet fra strømforsyningen før rengjøring og stell.



### PASS PÅ! Fare for skade!

- Kjøleapparatet må aldri rengjøres under rennende vann eller spyles.
- Bruk ikke slipende vaskemidler eller harde gjenstander til rengjøring, da det kan skade kjøleapparatet.

- Bruk en myk klut, lunkent vann og et mildt rengjøringsmiddel eller oppvaskmiddel for å rengjøre kjøleapparatets indre.
- Gni kjøleapparatet rent med rent vann og tørk det grundig.

- Fjern fra tid til annen støv fra kjøleaaggregatet på baksiden av kjøleaaggregatet med en børste eller myk klut.

## 8.1 Skifte lys i enheten



### ADVARSEL!

Før du skifter lys i enheten, må enheten alltid kobles fra strømmettet.

Enheden bruker et LED-kort som belysning. Et nytt LED-kort kan skaffes fra Dometic.

- Skift LED-lyset som følger: fig. **29**, side 10

## 9 Utbedring av feil

Problem	Mulig årsak	Forslag til løsning
Enheden kjøler ikke (kjøleenheten på baksiden av enheten er kald).	Enhedene er ikke koblet til.	Sett inn kontakten til enheten.
	Vekselspenningskontakten har ikke spenning.	Sjekk sikringen eller prøv en annen stikkontakt.
	Enheden er i sin avrimingsfase.	Sjekk på nytt om enheten kjøler etter 2 timer, da avrimingsfasen varer i 2 timer.
	Elektronikken eller sensoren er defekt.	Dette kan kun repareres av en godkjent kundeservicebedrift.
Enheden kjøler ikke (kjøleenheten på baksiden av enheten er varm).	Varmeelementet er defekt.	Dette kan kun repareres ved et autorisert verksted.
	Enheden står ikke vannrett.	Niveller enheten med en vater.
	Enheden ble kun slått på for en liten stund siden.	La enheten gå i 5 til 6 timer.
	Kjøleenheten er defekt.	Dette kan kun repareres ved et autorisert verksted.

Problem	Mulig årsak	Forslag til løsning
Enhetens kjøleytelse er dårlig.	Kjøleenheten har ikke tilstrekkelig ventilasjon.	Kontroller at luftegitrene ikke er tildekket. <hr/> Sjekk at enheten er blitt installert i samsvar med fig. <b>2</b> , side 3.
	Enheten er utsatt for varme eller direkte sollys.	Flytt enheten.
	Døren til enhetene lukkes ikke tett.	Sjekk om døren er korrekt installert. Et autorisert verksted kan installere en ny dørtetning om nødvendig.
	Enheten ble satt opp for en liten stund siden.	Sjekk temperaturen etter 5 til 6 timer.
Det dannes rim inne i enheten.	Døren til enhetene lukkes ikke tett.	Sjekk om døren er korrekt installert. Et autorisert verksted kan installere en ny dørtetning om nødvendig.




## 10 Avfallshåndtering




- Lever emballasje til resirkulering så langt det er mulig.



Når du tar produktet ut av drift for siste gang, må du sørge for å få informasjon om deponeringsforskrifter hos nærmeste resirkuleringsstasjon eller hos din faghandler.

# 11 Tekniske spesifikasjoner

	<b>RH430LD</b>	<b>RH430LG</b>	<b>RH440LD</b>
Bruttoinnhold:	30 l		40 l
Tilkoblingsspenning:	220 – 240 V~, 50/60 Hz		
Effektforbruk:	65 W		
Temperaturområde:	+3 °C til +12 °C		
Kategori:	2 (kjeller)		
Energimerking:	D	F	D
Energiforbruk (kWh/år):	260	365	266
Utnyttbar kapasitet:	26 l	27 l	36 l
Klimaklasse:	N, T		
Mengde kjølemiddel:	100 g		
Omgivelsestemperatur	+16 °C til +32 °C		
Støyavgivelse (lydeffekt):	0 dB		
Mål (B x D x H):	384 x 410 x 522	384 x 420 x 522	401 x 446 x 554
Vekt:	13,95 kg	16,7 kg	15 kg
Test/sertifisering:	  		

	<b>RH440LG</b>	<b>RH460LD</b>	<b>RH460LG</b>
Bruttoinnhold:	40 l	60 l	
Tilkoblingsspenning:	220 – 240 V~, 50/60 Hz		
Effektforbruk:	65 W	80 W	
Temperaturområde:	+3 °C til +12 °C		
Kategori:	2 (kjeller)		
Energimerking:	F	F	G
Energiforbruk (kWh/år):	365	372	449
Utnyttbar kapasitet:	37 l	55 l	56 l
Klimaklasse:	N, T		
Mengde kjølemiddel:	100 g		
Omgivelsestemperatur	+16 °C til +32 °C		
Støyavgivelse (lydeffekt):	0 dB		
Mål (B x D x H):	401 x 456 x 554	486 x 474 x 563	486 x 484 x 563
Vekt:	18,4 kg	17,95 kg	22,15 kg
Test/sertifisering:	  		



**Lue tämä ohje huolellisesti läpi ennen laitteen käyttöön ottamista ja säilytä ohje. Jos luovutat laitteen toiselle käyttäjälle, luovuta tällöin myös ohje uudelle käyttäjälle.**

Valmistaja ei ota vastuuta vahingoista, jotka aiheutuvat **epäasianmukaisesta käytöstä** tai **väärästä käytöstä**.

## Sisällysluettelo

1	Symbolien selitykset . . . . .	137
2	Turvallisuusohjeet . . . . .	138
3	Käyttötarkoitus . . . . .	141
4	Toimituskokonaisuus . . . . .	141
5	Tekninen kuvaus . . . . .	141
6	Asennus . . . . .	142
7	Käyttö . . . . .	143
8	Puhdistus ja hoito . . . . .	144
9	Vianetsintä . . . . .	145
10	Hävittäminen . . . . .	146
11	Tekniset tiedot . . . . .	147

## 1 Symbolien selitykset



### **VAARA!**

**Turvallisuusohje** koskien vaaratilannetta, joka johtaa kuolemaan tai vakavaan vammaan, jos tilannetta ei vältetä.



### **VAROITUS!**

**Turvallisuusohje** koskien vaaratilannetta, joka voi johtaa kuolemaan tai vakavaan vammaan, jos tilannetta ei vältetä.



### **HUOMIO!**

**Turvallisuusohje** koskien vaaratilannetta, joka voi johtaa lievään tai kohtalaiseen vammaan, jos tilannetta ei vältetä.

**HUOMAUTUS!**

Ohje koskien tilannetta, joka voi johtaa esinevahinkoihin, jos sitä ei vältetä.

**OHJE**

Tuotteen käyttöä koskevia lisätietoja.

## 2 Turvallisuusohjeet

### 2.1 Yleinen turvallisuus



**VAARA! Näiden varoitusten noudattamatta jättäminen johtaa kuolemaan tai vakavaan vammaan.**

**Sähköiskusta johtuva hengenvaara**

- Veneissä: Huolehdi verkkokäytössä ehdottomasti siitä, että virransyöttö on suojattu FI-kytkimellä.



**VAROITUS! Näiden varoitusten noudattamatta jättäminen voi johtaa kuolemaan tai vakavaan vammaan.**

**Sähköiskusta johtuva hengenvaara**

- Anna kosteisiin tiloihin ja vedelle altistuville alueille tehtävät asennustyöt ainoastaan ammattilaisen tehtäväksi.
- Laitetta ei saa ottaa käyttöön, jos siinä on näkyviä vaurioita.
- Jos tämän laitteen liitäntäjohto vaurioituu, tulee valmistajan tai valtuutetun asiakaspalvelun tai vastaavasti pätevän henkilön vaihtaa se vaaran välttämiseksi.
- Ainoastaan ammattilaiset saavat korjata tätä laitetta. Virheellisesti suoritetuista korjauksista saattaa aiheutua huomattavia vaaroja.

**Terveysriski**

- Tätä laitetta voivat käyttää valvonnan alaisuudessa myös vähintään 8-vuotiaat lapset samoin kuin henkilöt, joiden fyysiset, aistinvaraiset tai henkiset kyvyt ovat rajoittuneet tai joilta puuttuu laitteen käytön vaatima kokemus tai tietämys, mikäli edellä mainittuja henkilöitä on opastettu käyttämään laitetta turvallisesti ja mikäli henkilöt ymmärtävät laitteen käyttöön liittyvät riskit.
- Lapset eivät saa leikkiä laitteella.

- Lapset eivät saa puhdistaa laitetta tai tehdä käyttäjähuoltoa ilman valvontaa.
- 3 – 8-vuotiaat lapset saavat sekä sijoittaa tuotteita jääkaappiin että noutaa tuotteita sieltä.

### Räjähdyksivaara

- Älä säilytä laitteessa mitään räjähdysalttiita tavaroita kuten esim. suihkepurkkeja, joissa on palavaa ponneainetta.



### **HUOMIO! Näiden varoitusten noudattamatta jättäminen voi johtaa vähäiseen tai kohtalaiseen vammaan.**

#### **Puristumisvaara**

- Älä koske saranaan.

#### **Terveysriski**

- Elintarvikkeita saa säilyttää vain alkuperäispakkauksissa tai tarkoitukseen sopivissa astioissa.



### **HUOMAUTUS! Vaurioitumisvaara**

- Vertaa tyyppikilven jännitetietoja käytettävissä olevaan energiansyöttöön.
- Älä ota pistoketta koskaan pois pistorasiasta johdosta vetämällä.
- Kylmälaite ei sovellu syövyttävien tai liuottimia sisältävien aineiden varastointiin!
- Pidä virtausaukko aina puhtaana.
- Älä missään tapauksessa avaa jäähdytyskiertoa.
- Laitetta ei saa koskaan kuljettaa vaakasuorassa, ettei öljy pääse valumaan kompressorista.
- Varo jäähdytyskierron vahingoittumista kuljetuksen aikana. Jäähdytyskierron sisältämä kylmäaine on helposti syttyvää. Kylmäainekierron vahingoituttua:
  - Ehkäise avotulen ja sytytyskipinöiden esiintyminen.
  - Tuuleta tila huolellisesti.
- Sijoita laite kuivaan ja roiskevedeltä suojattuun paikkaan.

## 2.2 Laitteen käyttöturvallisuus



**VAARA! Näiden varoitusten noudattamatta jättäminen johtaa kuolemaan tai vakavaan vammaan.**

### **Sähköiskusta johtuva hengenvaara**

- Älä kosketa avojohtimia koskaan paljain käsin.



**HUOMIO! Näiden varoitusten noudattamatta jättäminen voi johtaa vähäiseen tai kohtalaiseen vammaan.**

### **Sähköiskusta johtuva hengenvaara**

- Huolehdi ennen laitteen käyttöönottoa siitä, että johto ja pistoke ovat kuivia.

### **Terveysriski**

- Lämpötila laitteen lokeroissa voi nousta huomattavasti, mikäli ovi on pitkään auki.
- Puhdista säännöllisesti pinnat, jotka voivat joutua kosketuksiin elintarvikkeiden ja suojaamattomien viemärijärjestelmän osien kanssa.
- Säilytä raakaa lihaa ja kalaa laitteen sisällä tarkoitukseen sopivissa astioissa, jotta raaka liha ja kala eivät joudu kosketuksiin muiden elintarvikkeiden kanssa ja jotta niistä ei tipu nestettä muiden elintarvikkeiden päälle.
- Jos laite jää pitkäksi aikaa tyhjilleen:
  - Kytke laite pois päältä.
  - Sulata laite.
  - Puhdista ja desinfioi laite.
  - Jätä laitteen ovi auki, jotta laitteen sisälle ei muodostu hometta.



### **HUOMAUTUS! Vaurioitusvaara**

- Älä käytä kylmälaitteen sisällä sähkölaitteita, ellei valmistaja suosittele näitä laitteita tähän tarkoitukseen.
- Älä aseta laitetta alttiiksi avotullelle tai muille lämpölähteille (lämmitys, voimakas auringonpaiste, kaasuuunit jne.).
- **Ylikuumentumisvaara!**  
Huolehdi aina siitä, käytössä syntyvä lämpö saadaan johdettua riittävästi pois. Huolehdi siitä, että laite on riittävän etäällä seinistä tai esineistä, jotta ilma pääsee kiertämään.
- Huolehdi siitä, ettei tuuletusaukkoja peitetä.
- Älä laita sisäastiaan minkäänlaisia nesteitä tai jäätä.
- Älä koskaan upota laitetta veteen.

- Suojaa laite ja sen johto kuumuudelta ja kosteudelta.
- Huolehdi siitä, etteivät elintarvikkeet koske kylmätilan seinää.

### 3 Käyttötarkoitus

Kylmälaite sopii juomien ja naposteltavan jäähdyttämiseen.

Tämä laite on tarkoitettu käytettäväksi 220 – 240 V:n~ verkkojännitteellä.



#### **HUOMIO! Terveysriski!**

Ole hyvä ja tarkista, vastaako laitteen jäähdytysteho niiden elintarvikkeiden tai lääkkeiden vaatimuksia, joita haluat jäähdyttää.

### 4 Toimituskokonaisuus

Määrä	Nimitys
1	Minibaari
1	Asennus- ja käyttöohje

### 5 Tekninen kuvaus

Kylmälaite pystyy viilentämään tuotteet enimmillään 21 °C (vain RH430LD, RH440LD, RH460LD) tai 18 °C (vain RH430LG, RH440LG, RH460LG) ympäristön lämpötilan alapuolelle ja pitämään tuotteet viileinä. Elintarvikkeet (esim. pullo ja makeiset) voi erottaa toisistaan ristikkomaisen jakajan avulla.

#### Käyttölaite

Kohta – kuva <b>1</b> , sivulla <b>3</b>	Kuvaus
1	Lämpötilasäädin

#### Sulatustoiminto

Jäähdytyspinnoille muodostuu vähitellen jäätä. Jään muodostumisen ehkäisemiseksi laitteessa on toiminto, joka kytkee jäähdytysyksikön pois päältä kahdeksi tunniksi 24 tunnin välein.

Kahden tunnin pituisen sulatusvaiheen aikana jää sulaa ja sulanut vesi virtaa haihdutusastiaan, joka sijaitsee jääkaapin takaosassa alhaalla. Sulanut vesi haihtuu automaattisesti, jolloin käyttäjän ei tarvitse tyhjentää astiaa erikseen.

## 6 Asennus



### **VAROITUS! Sähköisku!**

Piittaamattomuus näistä ohjeista voi johtaa kuolemaan tai vakaviin vammoihin.

- Varmista, että virtajohto ei juutu kiinni eikä vaurioidu sijoittaessasi laitetta paikalleen.
- Älä sijoita siirrettäviä pistorasialistoja tai siirrettäviä virtalähteitä laitteen taakse.



### **HUOMIO! Terveysriski**

Jotta laitteen epävakaas ei aiheuttaisi vaaraa, se on kiinnitettävä ohjeiden mukaisesti.

Kylmälaite on valmistettu käytettäväksi vapaasti seisovana. Se voidaan myös asentaa kalusteisiin, jos seuraavat edellytykset täyttyvät. Vain siten voidaan taata optimaalinen käyttö ja maksimaalinen jäähdytys.

- Kylmälaite täytyy suunnata huolellisesti.
- Taustapuolen ja seinän välisen etäisyyden täytyy olla vähintään 20 mm.
- Tuuletus täytyy toteuttaa kuten vaihtoehdossa A, B, C tai D (kuva **2**, sivulla 3).
- Ilmanvaihtokanavan halkaisijan pitää olla vähintään 105 mm x kylmälaitteen leveys.
- Jäähdytysaggregaatin pitää työntyä kokonaan ilmanvaihtokanavaan. Muita osia ei saa työntyä ilmanvaihtokanavaan (kuva **2**, sivulla 3).
- Ilmanvaihtokanavan läpi virtaava ilma ei saa lämmitä muun lämmönlähteen vaikutuksesta.
- Käyttää saa ainoastaan tuuletusrilöitä (optio), joiden vapaa poikkipinta-ala on vähintään 200 cm<sup>2</sup>.
- Lasiiovilla varustetuissa versioissa oveen voi tiivistyä kosteutta, jos ilmankosteus on yli 65 % lämpötilan ollessa 25 °C.

- Kylmälaite on kiinnitettävä. Käytä sopivanpituisia ruuveja ja asenna ne laitteen jalokojen läpi (kuva **3**, sivulla 3).
- Pistorasiaan, johon laite liitetään, täytyy päästä jatkossakin helposti käsiksi.

## 6.1 Koristelevyn vaihtaminen

Voit vaihtaa koristelevyn: kuva **4** -kuva **7**, sivulla 4.

## 6.2 Liukuhelan (optio) asentaminen

Käytettäessä jääkaapin ovessa liukuhelaa kylmälaitteen ovi avautuu samanaikaisesti kalustekaapin oven kanssa: kuva **8**, sivulla 5, -kuva **23**, sivulla 8.

## 6.3 Oven kätisyyden vaihtaminen

Oven kätisyys vaihdetaan seuraavasti: kuva **24** -kuva **28**, sivulla 9.  
Ainoastaan ovilla, joissa on liukuhela: kuva **26** ja kuva **27**, sivulla 9.

# 7 Käyttö



### HUOMIO! Terveysriski!

Ole hyvä ja tarkista, vastaako laitteen jäähdytysteho niiden elintarvikkeiden tai lääkkeiden vaatimuksia, joita haluat jäähdyttää.



### OHJE

- Puhdista uusi kylmälaite hygieniasyistä kostealla liinalla sekä sisältä että ulkoa, ennen kuin otat laitteen käyttöön (ks. myös "Puhdistus ja hoito" sivulla 18).
- Kylmälaite ei ole viallinen, jos laitteen sisälle on muodostunut muutama vesipisara pitkän jäähdytysjakson jälkeen. Ilmankosteus tiivistyy vedeksi jääkylmälaitteen sisälämpötilan laskiessa. Pyyhi vesi tarvittaessa kuivalla liinalla.

## 7.1 Vinkkejä energian säästämiseen

- Valitkaa asennuspaikka, joka on hyvin tuuletettu ja suojassa auringonpaisteelta.
- Antakaa lämminten ruokien jäähtyä ennen niiden säilyttämistä laitteessa kylminä.
- Älkää avatko kylmälaitetta tarpeettoman usein.
- Älä jätä jäähdytyslaitetta auki pidemmäksi ajaksi kuin tarpeen.

## 7.2 Kylmälaitteen käyttäminen



### HUOMAUTUS! Vaurioitumisvaara!

- Huolehdi siitä, että kylmälaitteessa on vain esineitä tai tuotteita, jotka saa jäähdyttää valittuun lämpötilaan.
- Huolehdi siitä, ettet jäähdytä lasiastioissa olevia juomia tai ruokia liian voimakkaasti. Juomat ja nestemäiset ruoat laajenevat jäätyessään. Tämä voi rikkoa lasiastian.
- Huomioi, että kylmälaukku tarvitsee kunnon tuuletuksen, jotta sen synnyttämä lämpö pääsee poistumaan. Muutoin laitteen asianmukaista toimintaa ei voida taata. Erityisesti tuuletusaukkoja ei saa peittää.



### OHJE

Jos et käytä kylmälaitetta pitkään aikaan, jätä ovi raolleen, jotta kaappiin ei muodostu hajuja.

- Aseta kylmälaite tukevalle alustalle.
- Liitä liitäntäjohto vaihtovirtaverkkoon.
- ✓ Kylmälaite alkaa jäähdyttää sisätilaansa.
- Aseta lämpötilasäädin (kuva **1** 1, sivulla 3) haluamaasi lämpötilaan (3–12 °C).
- Irrota liitäntäjohto, kun haluat lopettaa jääkaapin käyttämisen tai...
- käännä lämpötilansäätöä (kuva **1** 1, sivulla 3) vastapäivään OFF-asentoon.

## 8 Puhdistus ja hoito



### VAROITUS!

Irrota kylmälaite virransyötöstä aina ennen puhdistusta ja huoltoa.



### HUOMAUTUS! Vaurioitumisvaara!

- Älä puhdista kylmälaitetta koskaan juoksevan veden alla tai tiskivedessä.
- Älä käytä puhdistamiseen kovia puhdistusaineita tai kovia esineitä, koska ne voivat vahingoittaa kylmälaitetta.

- Puhdista kylmälaite sisäpuolelta pehmeällä liinalla, haalealla vedellä ja miedolla puhdistus- tai tiskiaineella.



- Hankaa kylmälaite puhtaalla vedellä ja kuivaa huolellisesti.
- Poista ajoittain pöly jäähdytysaggregaatista kylmälaitteen taustapuolelta harjalla tai pehmeällä liinalla.

## 8.1 Valon vaihtaminen laitteeseen



### VAROITUS!

Erota laite sähköverkosta aina ennen valon vaihtamista laitteeseen.

Laitteessa käytetään valaistuslaitteena LED-levyä. Uusia LED-levyjä on saatavissa Dometicilta.

- Vaihda LED-valo seuraavasti: kuva **29**, sivulla 10

## 9 Vianetsintä

Ongelma	Mahdollinen syy	Ratkaisuehdotus
Laitte ei jäähdytä (jäähdytysyksikkö laitteen takaosassa on kylmä).	Laitteen pistoketta ei ole yhdistetty.	Yhdistä laitteen pistoke.
	Vaihtovirtapistorasiasassa ei ole jännitettä.	Tarkasta sulake tai kokeile toisen pistorasian käyttöä.
	Laitte on sulatusvaiheessa.	Tarkasta jäähdytyksen toiminta 2 tunnin kuluttua uudelleen, sillä laitteen sulatusvaihe kestää 2 tuntia.
	Elektroniikka tai anturi on viallinen.	Tämän vian voi korjata vain valtuutettu asiakaspalvelun edustaja.
Laitte ei jäähdytä (jäähdytysyksikkö laitteen takaosassa on lämmin).	Lämmituselementti on viallinen.	Tämän vian voi korjata vain valtuutettu korjausliike.
	Laitte ei ole vaakasuorassa.	Suorista laitteen asento vesivaa'an avulla.
	Laitte on kytketty päälle vasta hetki sitten.	Anna sen olla toiminnassa 5 – 6 tunnin ajan.
	Jäähdytysyksikkö on viallinen.	Tämän vian voi korjata vain valtuutettu korjausliike.

Ongelma	Mahdollinen syy	Ratkaisuehdotus
Laitteen jäähdytys-teho on heikko.	Jäähdytysyksikön ilmanvaihto toimii puutteellisesti.	Varmista, ettei tuuletusaukkoja ole peitetty.  Varmista, että laite on asennettu kohdan kuva <b>2</b> , sivulla 3 kuvauksen mukaisesti.
	Laite altistuu kuumuudelle tai suoralle auringonpaisteelle.	Siirrä laite toiseen paikkaan.
	Laitteen ovi ei sulkeudu tiiviisti.	Tarkasta, onko ovi asennettu oikein. Valtuutettu korjausliike voi asentaa tarvittaessa uuden ovitiivistein.
	Laite on ollut vielä äskettäin varastossa.	Tarkasta lämpötila 5 – 6 tunnin kuluttua.
Laitteen sisälle muodostuu jäätä (kuuraa).	Laitteen ovi ei sulkeudu tiiviisti.	Tarkasta, onko ovi asennettu oikein. Valtuutettu korjausliike voi asentaa tarvittaessa uuden ovitiivistein.




## 10 Hävittäminen




- Vie pakkausmateriaali mahdollisuuksien mukaan vastaavan kierrätysjätteen joukkoon.



Jos poistat tuotteen lopullisesti käytöstä, pyydä tietoa sen hävittämistä koskevista määräyksistä lähimmästä kierrätyskeskuksesta tai ammattiliikkeestäsi.

# 11 Tekniset tiedot

	<b>RH430LD</b>	<b>RH430LG</b>	<b>RH440LD</b>
Bruttotilavuus:	30 l		40 l
Liitäntäjännite:	220 – 240 V~, 50/60 Hz		
Tehonkulutus:	65 W		
Lämpötila-alue:	+3 °C ... +12 °C		
Luokka:	2 (kellari)		
Energiatohokkuusluokka:	D	F	D
Energiankulutus (kWh/vuosi):	260	365	266
Nettotilavuus:	26 l	27 l	36 l
Ilmastoluokka:	N, T		
Kylmäaineen määrä:	100 g		
Ympäristön lämpötila:	+16 °C ... +32 °C		
Melupäästöt (ääniteho):	0 dB		
Mitat (L x S x K):	384 x 410 x 522	384 x 420 x 522	401 x 446 x 554
Paino:	13,95 kg	16,7 kg	15 kg
Testaus/sertifikaatti:	  		

	<b>RH440LG</b>	<b>RH460LD</b>	<b>RH460LG</b>
Bruttotilavuus:	40 l	60 l	
Liitäntäjännite:	220 – 240 V~, 50/60 Hz		
Tehonkulutus:	65 W	80 W	
Lämpötila-alue:	+3 °C ... +12 °C		
Luokka:	2 (kellari)		
Energiatohokkuusluokka:	F	F	G
Energiankulutus (kWh/vuosi):	365	372	449
Nettotilavuus:	37 l	55 l	56 l
Ilmastoluokka:	N, T		
Kylmäaineen määrä:	100 g		
Ympäristön lämpötila:	+16 °C ... +32 °C		
Melupäästöt (ääniteho):	0 dB		
Mitat (L x S x K):	401 x 456 x 554	486 x 474 x 563	486 x 484 x 563
Paino:	18,4 kg	17,95 kg	22,15 kg
Testaus/sertifikaatti:	  		

**Прочтите данную инструкцию перед вводом в эксплуатацию и сохраните ее. В случае передачи холодильника передайте инструкцию следующему владельцу.**

Изготовитель не несет ответственности за ущерб, вызванный **использованием не по назначению** или **неправильным управлением**.

## Оглавление

1	Расшифровка символов . . . . .	149
2	Указания по технике безопасности . . . . .	150
3	Применение по назначению . . . . .	153
4	Комплект поставки . . . . .	153
5	Техническое описание . . . . .	154
6	Монтаж . . . . .	154
7	Управление. . . . .	156
8	Чистка и уход . . . . .	157
9	Устранение неисправностей . . . . .	158
10	Утилизация . . . . .	159
11	Технические данные . . . . .	160

## 1 Расшифровка символов



### **ОПАСНОСТЬ!**

**Указание по технике безопасности**, указывающее на опасную ситуацию, которая ведет к смерти или серьезной травме, если ее не предотвратить.



### **ПРЕДУПРЕЖДЕНИЕ!**

**Указание по технике безопасности**, указывающее на опасную ситуацию, которая может привести к смерти или серьезной травме, если ее не предотвратить.

**ОСТОРОЖНО!**

**Указание по технике безопасности**, указывающее на опасную ситуацию, которая может привести к травмам легкой или средней тяжести, если ее не предотвратить.

**ВНИМАНИЕ!**

Указание на ситуацию, которая может привести к материальному ущербу, если ее не предотвратить.

**УКАЗАНИЕ**

Дополнительная информация по управлению продуктом.

## 2 Указания по технике безопасности

### 2.1 Общая безопасность



**ОПАСНОСТЬ! Несоблюдение этих предупреждений ведет к смерти или серьезной травме.**

**Опасность для жизни из-за поражения электрическим током**

- На катерах и лодках: при работе от сети строго следите за тем, чтобы электропитание было защищено устройством защитного отключения.



**ПРЕДУПРЕЖДЕНИЕ! Несоблюдение этих предупреждений может привести к смерти или серьезной травме.**

**Опасность для жизни из-за поражения электрическим током**

- Выполнение электропроводки в помещениях с мокрыми процессами и в зонах, подвергающихся действию воды, доверяйте только специалистам.
- Запрещается вводить прибор в работу, если он имеет видимые повреждения,
- В случае повреждения питающего кабеля данного прибора он – во избежание опасностей – должен быть заменен изготовителем, сервисным центром или имеющим аналогичную квалификацию персоналом.
- Ремонт данного прибора разрешается выполнять только специалистам. Неправильно выполненный ремонт может приводить к серьезным опасностям.

**Опасность для здоровья**

- Это устройство может использоваться детьми с 8-ми лет и старше, а также лицами с ограниченными физическими, сенсорными и умственными возможностями или при недостатке необходимого опыта и знаний только под присмотром или после прохождения инструктажа по безопасному использованию устройства, если они понимают опасности, которые при этом могут возникнуть.
- Детям запрещается играть с устройством.
- Запрещается выполнять очистку и пользовательское техническое обслуживание детям без присмотра.
- Детям в возрасте от 3 до 8 лет разрешается загружать и разгружать холодильные устройства.

**Опасность взрыва**

- Не храните в приборе взрывоопасные вещества, например, аэрозольные баллоны с горючим газами-вытеснителями.



**ОСТОРОЖНО! Несоблюдение этих предостережений может привести к травме легкой или средней степени тяжести.**

**Опасность сдавливания**

- Не вводите руки в шарнир.

**Опасность для здоровья**

- Продукты питания разрешается хранить только в оригинальной упаковке или подходящих емкостях.

**ВНИМАНИЕ! Опасность повреждения**

- Сравните значения напряжения, указанные на заводской табличке, с характеристиками имеющегося источника питания.
- Не вытаскивайте штекер из розетки за питающий кабель.
- Холодильник не предназначен для хранения едких или содержащих растворители веществ.
- Всегда содержите в чистоте сливное отверстие.
- Категорически запрещается вскрывать холодильный контур.
- Категорически запрещается транспортировать прибор в горизонтальном положении, так как при этом может вытечь масло из компрессора.

- При транспортировке следите за тем, чтобы не повредить холодильный контур. Хладагент в холодильном контуре легко воспламеняется.  
В случае повреждения холодильного контура:
  - Избегайте открытого огня и искрообразования.
  - Хорошо проветрите помещение.
- Установите прибор в сухом, защищенном от брызг месте.

## 2.2 Техника безопасности при работе прибора



**ОПАСНОСТЬ! Несоблюдение этих предупреждений ведет к смерти или серьезной травме.**

**Опасность для жизни из-за поражения электрическим током**

- Не беритесь голыми руками за оголенные провода.



**ОСТОРОЖНО! Несоблюдение этих предостережений может привести к травме легкой или средней степени тяжести.**

**Опасность для жизни из-за поражения электрическим током**

- Перед вводом в эксплуатацию убедитесь в том, что питающий кабель и штекер сухие.

**Опасность для здоровья**

- Открытие дверцы в течение длительного времени может привести к значительному повышению температуры в отсеках устройства.
- Регулярно очищайте поверхности, которые могут контактировать с пищевыми продуктами и доступными сливными системами.
- Храните сырое мясо и рыбу в устройстве в подходящих контейнерах, чтобы они не соприкасались с другими продуктами питания или не капали на них.
- Если устройство не используется в течение длительного времени:
  - Отключите устройство.
  - Разморозьте устройство.
  - Очистите и просушите устройство.
  - Оставьте дверцу открытой, чтобы предотвратить образование плесени в устройстве.



**ВНИМАНИЕ! Опасность повреждения**

- Не используйте электрические приборы внутри холодильника, за исключением случаев, когда эти приборы рекомендованы для этого изготовителем.



- Не устанавливайте прибор вблизи открытого огня или других источников тепла (радиаторов отопления, сильных солнечных лучей, газовых печей и т. п.).
- **Опасность перегрева!**  
Постоянно следите за тем, чтобы образующееся при работе тепло могло быть надежно отведено. Прибор должен всегда находиться на достаточном расстоянии до стен или иных предметов, чтобы обеспечивалась хорошая циркуляция воздуха.
- Следите за тем, чтобы не перекрывались вентиляционные отверстия.
- Запрещается заполнять внутреннее пространство жидкостями или льдом.
- Не погружайте прибор в воду.
- Предохраняйте прибор и кабели от действия жары и влаги.
- Следите за тем, чтобы продукты питания не касались внутренних стенок холодильника.

### 3 Применение по назначению

Устройство предназначено для охлаждения напитков и закусок.

Устройство предназначены для использования с питанием от сети 220–240 В~.



#### **ОСТОРОЖНО! Опасность для здоровья!**

Убедитесь, что холодопроизводительность устройства обеспечивает условия, необходимые для хранения охлаждаемых продуктов питания и медикаментов.

### 4 Комплект поставки

Кол-во	Наименование
1	Мини-бар
1	Руководство по эксплуатации и монтажу

## 5 Техническое описание

Холодильник может охлаждать продукты до температуры макс. 21 °С (только RH430LD, RH440LD, RH460LD) или 18 °С (только RH430LG, RH440LG, RH460LG) ниже температуры окружающей среды, а также поддерживать их в охлажденном состоянии. Разделительная решетка может использоваться для разделения пищевых продуктов, например, бутылок и сладостей.

### Орган управления

Поз. на рис. <b>1</b> , стр. 3	Наименование
1	Регулятор температуры

### Функция оттаивания

На поверхностях охлаждения постепенно образуется иней. Для предотвращения инееобразования прибор имеет функцию отключения холодильной установки на два часа каждые 24 часа.

Во время двухчасовой фазы оттаивания иней оттаивает, и вода стекает в испарительный сосуд, расположенный в нижней задней части холодильника. Талая вода испаряется автоматически, поэтому сосуд не нужно опорожнять вручную.

## 6 Монтаж



### **ПРЕДУПРЕЖДЕНИЕ! Поражение электрическим током!**

Несоблюдение этих указаний может привести к смерти или серьезной травме.

- При установке устройства шнур питания не должен быть зажат или поврежден.
- Не располагайте позади устройства выносные переходники и удлинители с несколькими розетками.



### **ОСТОРОЖНО! Опасность для здоровья**

Во избежание опасности из-за неустойчивости устройства оно должно быть закреплено в соответствии с инструкциями.

Холодильный аппарат имеет отдельно стоящую конструкцию. При соблюдении следующих условий он может быть встроен в мебель. В противном случае производительность охлаждения и работа устройства могут оказаться неудовлетворительными.

- Холодильный аппарат должен быть установлен ровно.
- Расстояние между задней стенкой холодильника и стеной должно быть не менее 20 мм.
- Охлаждение должно производиться, как показано на рисунках А, В, С или D (рис. **2**, стр. 3).
- Поперечное сечение вентиляционного канала должно составлять не менее 105 мм x ширину прибора.
- Холодильный агрегат должен полностью находиться в вентиляционном канале. В вентиляционном канале не должно быть других выступающих частей (рис. **2**, стр. 3).
- Воздух, проходящий через вентиляционный канал, не должен нагреваться другими приборами, за исключением холодильного аппарата.
- Возможна установка вентиляционной решетки со свободной площадью сечения не менее 200 см<sup>2</sup>.
- В аппаратах, оснащенных стеклянной дверью, возможно образование конденсата при влажности более 65 % и температуре 25 °С.
- Охлаждающее устройство должно быть закреплено. Используйте винты соответствующей длины и вставьте их в ножки устройства (рис. **3**, стр. 3).
- Вилка, к которой подключается прибор, должна находиться в доступном месте.

## 6.1 Замена декоративной панели

Декоративную панель можно заменить: с рис. **4** по рис. **7**, стр. 4.

## 6.2 Установка полозьев (опция)

Можно установить полозья, с помощью которых дверца холодильного аппарата будет открываться одновременно с дверцей шкафа, в который он встроен: с рис. **8**, стр. 5, по рис. **23**, стр. 8.

## 6.3 Перевешивание двери

Порядок перевешивания двери: с рис. **24** по рис. **28**, стр. 9.  
Только для дверей с полозьями: рис. **26** и рис. **27**, стр. 9.

## 7 Управление



### **ОСТОРОЖНО! Опасность для здоровья!**

Убедитесь, что холодопроизводительность устройства обеспечивает условия, необходимые для хранения охлаждаемых продуктов питания и медикаментов.



### **УКАЗАНИЕ**

- Прежде чем использовать новый холодильник, рекомендуется в гигиенических целях протереть его снаружи и изнутри влажной тряпкой (см. также главу «Очистка и уход» на стр. 18).
- Если после длительного охлаждения внутри холодильника образуется несколько капель воды, то это не означает, что холодильник неисправен. Влага из воздуха конденсируется в воду, когда температура в холодильнике падает. При необходимости, вытрите воду сухой тряпкой.

### 7.1 Советы по энергосбережению

- Выбирайте хорошо проветриваемое, защищенное от солнечных лучей место применения.
- Дайте теплым блюдам охладиться, прежде чем поддерживать их в холодном состоянии в холодильнике.
- Не открывайте холодильник чаще, чем это действительно необходимо.
- Не оставляйте холодильник открытым дольше, чем это действительно необходимо.

### 7.2 Пользование холодильником



### **ВНИМАНИЕ! Опасность повреждения!**

- Следите за тем, чтобы в холодильнике находились только товары и продукты, которые можно охлаждать до выбранной температуры.
- Следите за тем, чтобы напитки или блюда в стеклянных емкостях не охлаждались слишком сильно. При замерзании напитки и жидкие блюда расширяются. Это может приводить к разрушению стеклянных емкостей.
- Обеспечьте хорошую вентиляцию и должный отвод тепла, в противном случае возможны нарушения в работе холодильного агрегата. В частности, запрещается перекрывать вентиляционные отверстия.

**УКАЗАНИЕ**

Если холодильник не используется длительное время, во избежание образования запаха приоткройте дверцу.

- ▶ Установите холодильник на прочную опору.
- ▶ Подсоедините кабель к источнику переменного тока.
- ✓ Холодильник начинает охлаждать внутреннее пространство.
- ▶ Установите регулятор температуры (рис. **1** 1, стр. 3) в нужное положение (3 – 12 °C).
- ▶ При выводе холодильника из эксплуатации извлеките кабель питания из розетки  
или ...
- ▶ Установите регулятор (рис. **1** 1, стр. 3) в нужное положение, повернув его по часовой стрелке.

## 8 Чистка и уход

**ПРЕДУПРЕЖДЕНИЕ!**

Перед выполнением работ по чистке и уходу отсоедините холодильник от сети.

**ВНИМАНИЕ! Опасность повреждения!**

- Категорически запрещается чистить прибор под струей воды или в посудомоечной машине.
- Не используйте для чистки абразивные чистящие средства или острые предметы, т. к. они могут привести к повреждениям холодильника.

- ▶ Для очистки камеры холодильника используйте мягкую салфетку, теплую воду и мягкое чистящее средство или ополаскиватель.
- ▶ Проймите холодильник чистой водой и вытрите его насухо.
- ▶ Время от времени удаляйте с задней стенки холодильника пыль с помощью щетки или мягкой салфетки.

## 8.1 Замена внутреннего освещения



### ПРЕДУПРЕЖДЕНИЕ!

Перед заменой внутреннего освещения всегда отсоединяйте прибор от сети.

Для освещения прибора используется светодиодная панель. Новую светодиодную панель можно приобрести в компании Dometic.

- Замените светодиодное освещение следующим образом: рис. 29, стр. 10

## 9 Устранение неисправностей

Проблема	Возможные причины	Вариант устранения
Охлаждения не происходит (холодильный агрегат в задней части устройства холодный).	Не вставлена сетевая вилка.	Вставить сетевую вилку в розетку.
	Отсутствует напряжение в розетке переменного тока.	Проверить предохранитель или использовать другую розетку.
	Активна фаза оттаивания.	Повторно проверить охлаждение через 2 часа, поскольку фаза оттаивания длится 2 часа.
	Неисправна электроника или датчики.	Ремонт разрешается выполнять только авторизованному сервисному центру.
	Неисправен нагревательный элемент.	Ремонт разрешается выполнять только авторизованному сервисному центру.
Охлаждения не происходит (холодильный агрегат в задней части устройства теплый).	Прибор стоит не горизонтально.	Выверить холодильник, используя ватерпас.
	Холодильник был включен лишь недавно.	Повторно проверить охлаждение через 5–6 часов.
	Неисправен холодильный агрегат.	Ремонт разрешается выполнять только авторизованному сервисному центру.

Проблема	Возможные причины	Вариант устранения
Низкая холодопроизводительность.	Недостаточная вентиляция холодильного агрегата.	Убедиться в том, что вентиляционные решетки не перекрыты. Проверить, был ли выполнен монтаж в соответствии с рис. <b>2</b> , стр. 3.
	Холодильник подвергается действию тепла или прямых солнечных лучей.	Переместить холодильник.
	Дверца холодильника не закрывается плотно.	Проверить правильность установки дверцы. При необходимости, авторизованный сервисный центр может установить новое уплотнение дверцы.
	Холодильник был лишь недавно заполнен.	Проверить температуру через 5 – 6 часов.
Образование инея внутри холодильника.	Дверца холодильника не закрывается плотно.	Проверить правильность установки дверцы. При необходимости, авторизованный сервисный центр может установить новое уплотнение дверцы.



## 10 Утилизация

- По возможности, выкидывайте упаковочный материал в мусор, подлежащий вторичной переработке.



Если Вы окончательно выводите продукт из эксплуатации, то получите информацию в ближайшем центре по вторичной переработке или в торговой сети о соответствующих предписаниях по утилизации.

# 11 Технические данные

	<b>RH430LD</b>	<b>RH430LG</b>	<b>RH440LD</b>
Емкость brutto:	30 л		40 л
Подводимое напряжение:	220 – 240 В~, , 50/60 Гц		
Потребляемая мощность:	65 Вт		
Диапазон температур:	от +3 °С до +12 °С		
Категория:	2 (погреб)		
Класс энергоэффективности:	D	F	D
Потребление энергии (кВт*ч/год)	260	365	266
Полезный объем:	26 л	27 л	36 л
Климатический класс:	N, T		
Количество хладагента:	100 г		
Температура окружающей среды	от +16 °С до +32 °С		
Акустическая эмиссия (уровень шума):	0 дБ		
Размеры (Ш x Г x В):	384 x 410 x 522	384 x 420 x 522	401 x 446 x 554
Вес:	13,95 кг	16,7 кг	15 кг
Испытания/сертификат:	  		



	<b>RH440LG</b>	<b>RH460LD</b>	<b>RH460LG</b>
Емкость брутто:	40 л	60 л	
Подводимое напряжение:	220 – 240 В~, , 50/60 Гц		
Потребляемая мощность:	65 Вт	80 Вт	
Диапазон температур:	от +3 °С до +12 °С		
Категория:	2 (погреб)		
Класс энергоэффективности:	F	F	G
Потребление энергии (кВт*ч/год)	365	372	449
Полезный объем:	37 л	55 л	56 л
Климатический класс:	N, T		
Количество хладагента:	100 г		
Температура окружающей среды	от +16 °С до +32 °С		
Акустическая эмиссия (уровень шума):	0 дБ		
Размеры (Ш x Г x В):	401 x 456 x 554	486 x 474 x 563	486 x 484 x 563
Вес:	18,4 кг	17,95 кг	22,15 кг
Испытания/сертификат:	  		

**Przed uruchomieniem urządzenia należy uważnie przeczytać niniejszą instrukcję. Instrukcję należy zachować. Należy ją dołączyć do urządzenia chłodniczego w razie jego przekazania innemu użytkownikowi.**

Producent nie odpowiada za szkody powstałe w **wyniku użytkowania niezgodnego z przeznaczeniem** lub **niewłaściwej obsługi**.

## Spis treści

1	Objaśnienie symboli . . . . .	162
2	Wskazówki bezpieczeństwa . . . . .	163
3	Używanie zgodnie z przeznaczeniem . . . . .	166
4	W zestawie . . . . .	166
5	Opis techniczny . . . . .	166
6	Montaż. . . . .	167
7	Obsługa. . . . .	169
8	Czyszczenie i pielęgnacja. . . . .	170
9	Usuwanie usterek . . . . .	171
10	Utylizacja . . . . .	172
11	Dane techniczne . . . . .	173

## 1 Objąśnienie symboli



### **NIEBEZPIECZEŃSTWO!**

**Wskazówka bezpieczeństwa** informująca o niebezpiecznej sytuacji, która – jeśli się jej nie uniknie – prowadzi do śmierci lub ciężkich obrażeń.



### **OSTRZEŻENIE!**

**Wskazówka bezpieczeństwa** informująca o niebezpiecznej sytuacji, która – jeśli się jej nie uniknie – może prowadzić do śmierci lub ciężkich obrażeń.

**OSTROŻNIE!**

**Wskazówka bezpieczeństwa** informująca o niebezpiecznej sytuacji, która – jeśli się jej nie uniknie – może prowadzić do lekkich lub średnich obrażeń.

**UWAGA!**

Wskazówka informująca o sytuacji, która – jeśli się jej nie uniknie – może prowadzić do powstania szkód materialnych.

**WSKAZÓWKA**

Informacje uzupełniające dotyczące obsługi produktu.

## 2 Wskazówki bezpieczeństwa

### 2.1 Ogólne bezpieczeństwo



**NIEBEZPIECZEŃSTWO! Nieprzestrzeganie tych ostrzeżeń prowadzi do śmierci lub ciężkich obrażeń.**

**Zagrożenie życia w wyniku porażenia prądem**

- W łodziach: W przypadku zasilania sieciowego należy bezwzględnie pamiętać o zabezpieczeniu zasilania za pomocą bezpiecznika różnicowoprądowego.



**OSTRZEŻENIE! Nieprzestrzeganie tych ostrzeżeń może prowadzić do śmierci lub ciężkich obrażeń.**

**Zagrożenie życia w wyniku porażenia prądem**

- Wykonanie instalacji w pomieszczeniach wilgotnych oraz w obszarach wystawionych na działanie wody należy zlecać wyłącznie specjalistom.
- Nie wolno uruchamiać urządzenia, jeśli ma ono widoczne uszkodzenia.
- Gdy przewód przyłączeniowy ulegnie uszkodzeniu, musi zostać wymieniony przez producenta, jego serwis lub podobnie wykwalifikowaną osobę, aby uniknąć zagrożenia.
- Napraw mogą dokonywać tylko odpowiednio wykwalifikowane osoby. Niefachowe naprawy mogą spowodować poważne niebezpieczeństwo.

**Zagrożenie zdrowia**

- Dzieci od 8 lat i osoby o ograniczonych możliwościach fizycznych, sensorycznych lub intelektualnych oraz osoby niedysponujące stosowną wiedzą i doświadczeniem mogą używać tego urządzenia jedynie pod nadzorem innej osoby bądź pod warunkiem uzyskania informacji dotyczących bezpiecznego użytkowania urządzenia i zrozumienia wynikających z tego zagrożeń.
- Dzieci nie mogą bawić się urządzeniem.
- Dzieci nie mogą również czyścić i konserwować urządzenia bez nadzoru.
- Dzieci od 3 do 8 lat mogą umieszczać produkty w urządzeniach chłodniczych i wyjmować je z nich

**Ryzyko wybuchu**

- W urządzeniu nie wolno przechowywać substancji wybuchowych, np. pojemników aerozolowych z palnym gazem wytłaczającym.

**OSTROŻNIE! Nieprzestrzeganie tych uwag może prowadzić do lekkich lub nieznacznych obrażeń.****Niebezpieczeństwo zgniecenia**

- Nie dotykać zawiasu.

**Zagrożenie zdrowia**

- Artykuły spożywcze mogą być przechowywane tylko w oryginalnych opakowaniach lub w odpowiednich pojemnikach.

**UWAGA! Niebezpieczeństwo uszkodzenia**

- Należy porównać dane dotyczące napięcia na tabliczce znamionowej z dostępnym źródłem zasilania.
- Wtyczki nie wolno nigdy wyciągać z gniazdka, ciągnąc za przewód przyłączeniowy.
- Ta lodówka nie nadaje się do przechowywania substancji drażniących lub zawierających rozpuszczalniki.
- Otwór odpływowy zawsze utrzymywać w czystym stanie.
- W żadnym wypadku nie otwierać obiegu chłodzenia.
- Nigdy nie transportować urządzenia w pozycji poziomej, aby nie doszło do wycieku oleju z kompresora.

- Podczas transportowania uważać, aby nie uszkodzić obiegu chłodzenia. Czynnikiem chłodzący w obiegu chłodzenia jest łatwopalny. W razie uszkodzenia obiegu chłodzenia:
  - Unikać otwartego ognia i isker.
  - Dobrze wietrzyć pomieszczenie.
- Urządzenie należy ustawić w suchym miejscu, zabezpieczonym przed zachlapaniem.

## 2.2 Bezpieczeństwo podczas eksploatacji urządzenia



**NIEBEZPIECZEŃSTWO! Nieprzestrzeganie tych ostrzeżeń prowadzi do śmierci lub ciężkich obrażeń.**

**Zagrożenie życia w wyniku porażenia prądem**

- Nigdy nie chwytać gołymi rękami nieosłoniętych przewodów.



**OSTROŻNIE! Nieprzestrzeganie tych uwag może prowadzić do lekkich lub nieznacznych obrażeń.**

**Zagrożenie życia w wyniku porażenia prądem**

- Przed użyciem należy sprawdzić, czy przewód i wtyczka są suche.

**Zagrożenie zdrowia**

- Otwarcie drzwi na dłuższy czas może spowodować znaczny wzrost temperatury w komorach urządzenia.
- Regularnie czyścić powierzchnie, które mogą mieć kontakt z żywnością i dostępnymi układami odprowadzania wody.
- Surowe mięso i ryby należy przechowywać wewnątrz urządzenia w odpowiednich pojemnikach, aby nie miały one kontaktu z innymi artykułami spożywczymi lub nie kapąły na nie.
- Jeśli urządzenie pozostaje puste przez dłuższy czas:
  - Wyłączyć urządzenie.
  - Odszronić urządzenie.
  - Wyczyścić i osuszyć urządzenie.
  - Pozostawić otwarte drzwi, aby zapobiec powstawaniu pleśni w urządzeniu.



**UWAGA! Niebezpieczeństwo uszkodzenia**

- Wewnątrz lodówki nie można używać żadnych urządzeń elektrycznych za wyjątkiem urządzeń zalecanych przez producenta.
- Nie należy ustawiać urządzenia w pobliżu otwartego ognia i innych źródeł ciepła (ogrzewanie, silne promieniowanie słoneczne, piec gazowy itp.).

- **Niebezpieczeństwo przegrzania!**  
Należy pamiętać, że ciepło powstające przy eksploatacji musi być odpowiednio odprowadzane. Należy zadbać o to, aby urządzenie stało w odpowiedniej odległości od ścian lub przedmiotów, tak by możliwa była cyrkulacja powietrza.
- Należy uważać, aby nie zakrywać otworów wentylacyjnych.
- Nie należy wypełniać wewnętrznego pojemnika cieczami lub lodem.
- Nigdy nie należy zanurzać urządzenia w wodzie.
- Należy chronić urządzenie i przewody przed gorącem i wilgocią.
- Zwracać uwagę, aby produkty spożywcze nie dotykały ścian komory chłodniczej.

### 3 Używanie zgodnie z przeznaczeniem

Lodówka nadaje się do schładzania napojów i przekąsek.

Urządzenie jest przeznaczone do podłączania do sieci zasilania 220 – 240 V~.



#### **OSTROŻNIE! Zagrożenie zdrowia!**

Należy sprawdzić, czy wydajność chłodzenia odpowiada wymaganiom związanym z żywnością lub lekami, które mają być przechowywane w lodówce.

### 4 W zestawie

Ilość	Nazwa
1	Minibar
1	Instrukcja montażu i obsługi

### 5 Opis techniczny

Lodówka chłodzi produkty do maksymalnej temperatury 21 °C (tylko RH430LD, RH440LD, RH460LD) lub 18 °C (tylko RH430LG, RH440LG, RH460LG) poniżej temperatury otoczenia i utrzymuje je w schłodzonym stanie. Za pomocą kratki oddzielającej można oddzielać artykuły spożywcze, np. butelki i słodycze.

## Panel sterowania

Poz. na rys. <b>1</b> , strona 3	Nazwa
1	Regulator temperatury

## Funkcja rozmrażania

Na powierzchniach chłodzących regularnie osadza się szron. Aby zapobiec oszronieniu, urządzenie posiada funkcję wyłączania agregatu chłodniczego na dwie godziny co 24 godziny.

W ciągu dwóch godzin fazy rozmrażania szron/lód topnieje, a woda z roztopionego lodu spływa do zbiornika parownika umieszczonego w dolnej tylnej części lodówki. Woda z roztopionego lodu wyparowuje automatycznie, w związku z czym nie jest konieczne ręczne opróżnianie zbiornika.

# 6 Montaż



### **OSTRZEŻENIE! Ryzyko porażenia prądem elektrycznym!**

Nieprzestrzeganie tych instrukcji może prowadzić do śmierci lub ciężkich obrażeń.

- Podczas ustawiania urządzenia należy uważać, aby nie przygnieść ani nie uszkodzić przewodu zasilającego.
- Nie umieszczać z tyłu urządzenia rozgałęziaczy ani zasilaczy.



### **OSTROŻNIE! Zagrożenie zdrowia**

Aby uniknąć niebezpieczeństwa spowodowanego niestabilnym ustawieniem urządzenia, należy je zamocować zgodnie z instrukcją.

Lodówka została zbudowana jako lodówka wolnostojąca. Można ją wbudować w mebel, jeśli spełnione zostaną następujące wymagania. Tylko w ten sposób można zapewnić optymalną eksploatację oraz maksymalne chłodzenie.

- Należy zwrócić szczególną uwagę na ustawienie lodówki.
- Odstęp tylnej części lodówki od ściany musi wynosić co najmniej 20 mm.
- Wentylację należy wykonać tak, jak w alternatywach A, B, C lub D (rys. **2**, strona 3).
- Kanał wentylacyjny musi mieć przekrój co najmniej 105 mm x szerokość lodówki.

- Agregat chłodniczy musi całkowicie wchodzić w kanał wentylacyjny. Inne części nie mogą wchodzić w kanał wentylacyjny (rys. **2**, strona 3).
- Powietrze przepływające przez kanał wentylacyjny nie może być ogrzewane przez żadne inne źródło ciepła.
- Można stosować tylko takie kratki wentylacyjne (opcjonalnie), których wolna powierzchnia przekroju ma co najmniej 200 cm<sup>2</sup>.
- W przypadku wersji ze szklanymi drzwiczkami wilgoć może kondensować się na drzwiczkach, jeśli wilgotność powietrza przekracza 65% w temperaturze 25 °C.
- Urządzenie chłodnicze musi zostać zamocowane. Zastosować śruby o odpowiedniej długości i przetknąć je przez nóżki urządzenia (rys. **3**, strona 3).
- Gniazdko, do którego podłączane będzie urządzenie, musi być łatwo dostępne.

## 6.1 Wymiana płyty dekoracyjnej

Mogą Państwo wymienić płytę dekoracyjną: rys. **4** do rys. **7**, strona 4.

## 6.2 Montaż (opcjonalny) okucia meblowego

Mogą Państwo zamontować okucie meblowe, za pomocą którego drzwi lodówki będą się otwierały równocześnie z drzwiami szafki do zabudowy: rys. **8**, strona 5, do rys. **23**, strona 8.

## 6.3 Zmiana położenia zawiasów

Położenie zawiasów można zmienić w następujący sposób: rys. **24** do rys. **28**, strona 9.

Tylko dla drzwiczek z okuciem meblowym: rys. **26** i rys. **27**, strona 9.



## 7 Obsługa



### **OSTROŻNIE! Zagrożenie zdrowia!**

Należy sprawdzić, czy wydajność chłodzenia odpowiada wymaganiom związanym z żywnością lub lekami, które mają być przechowywane w lodówce.



### **WSKAZÓWKA**

- Przed rozpoczęciem korzystania z nowej lodówki ze względów higienicznych należy przetrzeć lodówkę wewnątrz i na zewnątrz wilgotną szmatką (patrz również „Czyszczenie i pielęgnacja” na stronie 18).
- Jeżeli wewnątrz lodówki osadzi się kilka kropel wody po dłuższym okresie chłodzenia, nie jest to objawem uszkodzenia lodówki. Wilgotne powietrze skrapla się w wodę, gdy spada temperatura w lodówce. W razie potrzeby wytrzeć wodę suchą ściereczką.

### **7.1 Rady dotyczące oszczędzania energii**

- Wybierz miejsce z dobrą wentylacją, nienarażone na promieniowanie słoneczne.
- Schłódź ciepłe potrawy przed ich włożeniem do urządzenia.
- Nie otwieraj lodówki częściej niż jest to konieczne.
- Nie zostawiaj otwartej lodówki dłużej niż to jest konieczne.

### **7.2 Korzystanie z lodówki**



#### **UWAGA! Niebezpieczeństwo uszkodzenia!**

- Należy uważać, aby w lodówce znajdowały się tylko przedmioty lub produkty, które mogą być chłodzone do wybranej temperatury.
- Należy uważać, by nie ochładzać nadmiernie napojów lub potraw w szklanych pojemnikach. Podczas zamrażania napoje i płynne potrawy zwiększają swoją objętość, co może spowodować uszkodzenie szklanych pojemników.
- Należy pamiętać, że lodówka powinna mieć zapewnioną dobrą wentylację pozwalającą na odprowadzenie wytwarzanego ciepła. W przeciwnym razie nie gwarantuje się jej prawidłowego działania. W szczególności nie wolno zakrywać otworów wentylacyjnych.

**WSKAZÓWKA**

Jeśli przez dłuższy czas nie będą Państwo korzystali z lodówki, należy pozostawić drzwiczki nieco uchylone w celu uniknięcia powstawania zapachu.

- Postawić urządzenie chłodnicze na stałym podłożu.
- Podłączyć kabel przyłączeniowy do sieci prądu przemiennego.
- ✓ Urządzenie chłodnicze zaczyna chłodzić komorę.
- Ustawić regulator temperatury (rys. **1** 1, strona 3) na żądaną temperaturę (3 – 12 °C).
- Wyłączając urządzenie, należy wyciągnąć kabel przyłączeniowy lub...
- przekręcić regulator temperatury (rys. **1** 1, strona 3) w kierunku przeciwnym do kierunku wskazówek zegara do pozycji OFF.

## 8 Czyszczenie i pielęgnacja

**OSTRZEŻENIE!**

Przed każdym czyszczeniem i pielęgnacją odłączyć lodówkę od zasilania.

**UWAGA! Niebezpieczeństwo uszkodzenia!**

- Lodówki przenośnej nie wolno nigdy czyścić pod bieżącą wodą ani zamaczać w wodzie.
  - Do czyszczenia nie należy używać agresywnych środków czyszczących ani twardych przedmiotów, gdyż mogą uszkodzić lodówkę.
- Do czyszczenia wnętrza lodówki stosować miękką szmatkę, letnią wodę i łagodny środek czyszczący lub płyn do mycia naczyń.
  - Przetrzeć lodówkę czystą wodą i dokładnie ją wysuszyć.
  - Od czasu do czasu usuwać szczotką lub miękką szmatką kurz z agregatu chłodzącego z tyłu lodówki.

## 8.1 Wymiana oświetlenia urządzenia



### OSTRZEŻENIE!

Przed wymianą oświetlenia zawsze odłączyć urządzenie od zasilania.

Do oświetlenia urządzenia służy płytka LED. Nową płytkę LED można nabyć w firmie Dometic.

► Wymiana oświetlenia LED: rys. 29, strona 10

## 9 Usuwanie usterek

Problem	Możliwa przyczyna	Proponowane rozwiązanie
Urządzenie nie chłodzi (agregat chłodniczy z tyłu urządzenia jest zimny).	Wtyczka urządzenia nie jest podłączona.	Podłączyć wtyczkę urządzenia.
	W gnieździe prądu przemianowego nie ma napięcia.	Sprawdzić bezpiecznik lub użyć innego gniazda wtykowego.
	Urządzenie znajduje się w fazie rozmrażania.	Sprawdzić ponownie, czy urządzenie chłodzi po 2 godzinach (po zakończeniu fazy rozmrażania).
	Układ elektroniczny lub czujnik jest uszkodzony.	Naprawę może wykonać tylko autoryzowany dział serwisowy.
Urządzenie nie chłodzi (agregat chłodniczy z tyłu urządzenia jest ciepły).	Element grzewczy jest uszkodzony.	Naprawę może wykonać tylko autoryzowany zakład serwisowy.
	Urządzenie nie stoi poziomo.	Wypoziomować urządzenie za pomocą poziomnicy.
	Urządzenie było włączone tylko przez krótki czas.	Pozostawić włączone urządzenie przez 5–6 godzin.
	Agregat chłodniczy jest uszkodzony.	Naprawę może wykonać tylko autoryzowany zakład serwisowy.

Problem	Możliwa przyczyna	Proponowane rozwiązanie
Wydajność chłodzenia urządzenia jest niska.	Agregat chłodniczy nie jest dostatecznie wentylowany.	Sprawdzić, czy kratki wentylacyjne nie są zakryte. <hr/> Sprawdzić, czy zainstalowano urządzenie zgodnie z rys. <b>2</b> , strona 3.
	Urządzenie jest wystawione na działanie źródła ciepła lub bezpośrednio promieniowanie słoneczne.	Przestawić urządzenie.
	Drzwi urządzenia nie zamykają się szczelnie.	Sprawdzić, czy drzwi są prawidłowo zamontowane. W razie potrzeby autoryzowany zakład serwisowy może założyć nową uszczelkę drzwiową.
	Urządzenie było zasilane prądem tylko przez krótki czas.	Sprawdzić temperaturę po 5–6 godzinach.
Wewnątrz urządzenia osadza się szron.	Drzwi urządzenia nie zamykają się szczelnie.	Sprawdzić, czy drzwi są prawidłowo zamontowane. W razie potrzeby autoryzowany zakład serwisowy może założyć nową uszczelkę drzwiową.




## 10 Utylizacja




- Opakowanie należy wyrzucić do odpowiedniego pojemnika na śmieci do recyklingu.



Jeżeli produkt nie będzie dłużej eksploatowany, koniecznie dowiedz się w najbliższym zakładzie recyklingu lub w specjalistycznym sklepie, jakie są aktualnie obowiązujące przepisy dotyczące utylizacji.

# 11 Dane techniczne

	<b>RH430LD</b>	<b>RH430LG</b>	<b>RH440LD</b>
Pojemność brutto:	30 l		40 l
Napięcie zasilania:	220 – 240 V~, 50/60 Hz		
Pobór mocy:	65 W		
Zakres temperatur:	od +3 °C do +12 °C		
Kategoria:	2 (piwnica)		
Klasa efektywności energetycznej:	D	F	D
Zużycie energii (kWh/rocznie):	260	365	266
Pojemność użytkowa:	26 l	27 l	36 l
Klasa klimatyczna:	N, T		
Ilość czynnika chłodniczego:	100 g		
Temperatura otoczenia:	od +16 °C do +32 °C		
Emisja hałasu (moc akustyczna):	0 dB		
Wymiary (szer. x gł. x wys.):	384 x 410 x 522	384 x 420 x 522	401 x 446 x 554
Masa:	13,95 kg	16,7 kg	15 kg
Kontrola/certyfikat:	  		

	<b>RH440LG</b>	<b>RH460LD</b>	<b>RH460LG</b>
Pojemność brutto:	40 l	60 l	
Napięcie zasilania:	220 – 240 V~, 50/60 Hz		
Pobór mocy:	65 W	80 W	
Zakres temperatur:	od +3 °C do +12 °C		
Kategoria:	2 (piwnica)		
Klasa efektywności energetycznej:	F	F	G
Zużycie energii (kWh/rocznie):	365	372	449
Pojemność użytkowa:	37 l	55 l	56 l
Klasa klimatyczna:	N, T		
Ilość czynnika chłodniczego:	100 g		
Temperatura otoczenia:	od +16 °C do +32 °C		
Emisja hałasu (moc akustyczna):	0 dB		
Wymiary (szer. x gł. x wys.):	401 x 456 x 554	486 x 474 x 563	486 x 484 x 563
Masa:	18,4 kg	17,95 kg	22,15 kg
Kontrola/certyfikat:	  		

**Pred uvedením zariadenia do prevádzky si prosím pozorne prečítajte tento návod a odložte si ho. V prípade odovzdania chladiaceho zariadenia ďalšiemu používateľovi mu odovzdajte aj tento návod.**

Výrobca neručí za škody, ktoré vzniknú používaním, ktoré **nie je v súlade s určeným použitím** alebo boli spôsobené **nesprávnou obsluhou**.

## Obsah

1	Vysvetlenie symbolov . . . . .	175
2	Bezpečnostné upozornenia . . . . .	176
3	Použitie na určený účel . . . . .	179
4	Rozsah dodávky . . . . .	179
5	Technický opis . . . . .	179
6	Montáž . . . . .	180
7	Obsluha . . . . .	181
8	Čistenie a starostlivosť . . . . .	183
9	Odstraňovanie porúch . . . . .	184
10	Likvidácia . . . . .	185
11	Technické údaje . . . . .	186

## 1 Vysvetlenie symbolov



### **NEBZPEČENSTVO!**

**Bezpečnostné upozornenie** na nebezpečnú situáciu, ktorá vedie k usmrteniu alebo ťažkému poraneniu, ak sa jej nezabráni.



### **VÝSTRAHA!**

**Bezpečnostné upozornenie** na nebezpečnú situáciu, ktorá môže viesť k usmrteniu alebo ťažkému poraneniu, ak sa jej nezabráni.

**UPOZORNENIE!**

**Bezpečnostné upozornenie** na nebezpečnú situáciu, ktorá môže viesť k ľahkému alebo stredne ťažkému usmrteniu alebo ťažkému poraneniu, ak sa jej nezabráni.

**POZOR!**

Upozornenie na situáciu, ktorá môže viesť k materiálnym škodám, ak sa jej nezabráni.

**POZNÁMKA**

Doplňujúce informácie týkajúce sa obsluhy produktu.

## 2 Bezpečnostné upozornenia

### 2.1 Všeobecná bezpečnosť



**NEBZPEČENSTVO! Nedodržanie týchto varovaní bude mať za následok smrť alebo vážne poranenie.**

**Nebezpečenstvo ohrozenia života zásahom elektrického prúdu**

- V prípade člnov: Pri sieťovej prevádzke bezpodmienečne zabezpečte, aby napájanie prúdom bolo zaistené FI prúdovým chráničom.



**VÝSTRAHA! Nedodržanie týchto varovaní môže mať za následok smrť alebo vážne poranenie.**

**Nebezpečenstvo ohrozenia života zásahom elektrického prúdu**

- Inštaláciu do vlhkých priestorov a oblastí, ktoré sú vystavené pôsobeniu vody, prenehajte výlučne odborníkovi.
- Keď má prístroj viditeľné poškodenia, nesmie sa uviesť do prevádzky.
- Keď je prípojný kábel tohto prístroja poškodený, musí ho vymeniť výrobca, jeho zákaznícky servis alebo iná kvalifikovaná osoba, aby sa predišlo ohrozeniam.
- Opravy na tomto prístroji smú vykonávať len odborníci. Neodbornými opravami môžu vzniknúť značné nebezpečenstvá.



**Ohrozenie zdravia**

- Toto zariadenie smú používať deti od 8 rokov a osoby so zníženými psychickými, zmyslovými alebo mentálnymi schopnosťami a vedomosťami, keď sú pod dozorom alebo keď boli poučené o bezpečnom používaní zariadenia a chápu, aké riziká z toho vyplývajú.
- Deti sa nesmú hrať so zariadením.
- Čistenie a bežnú údržbu nesmú deti vykonávať bez dozoru.
- Deti vo veku od 3 do 8 rokov smú vkladať potraviny do chladiacich zariadení a tiež ich z nich vyberať

**Nebezpečenstvo výbuchu**

- V prístroji neuskladňujte látky, pri ktorých hrozí nebezpečenstvo výbuchu, napr. sprejové nádoby s hnacím plynom.



**UPOZORNENIE! Nedodržanie týchto upozornení môže mať za následok drobné alebo stredne ťažké poranenie.**

**Nebezpečenstvo pomliaždenia**

- Nesiahajte do závesu.

**Ohrozenie zdravia**

- Potraviny sa smú uskladňovať len v originálnom obale alebo vhodných nádobách.

**POZOR! Nebezpečenstvo poškodenia**

- Porovnajete údaje o napätí na typovom štítku s existujúcim zdrojom napätia.
- Zástrčku nikdy nevyťahujte zo zásuvky ťahaním za prípojný kábel.
- Chladiaci prístroj nie je vhodný na skladovanie žieravých látok alebo látok s obsahom rozpúšťadiel.
- Odtokový otvor vždy udržiavajte čistý.
- Chladiaci okruh v žiadnom prípade neotváraťe.
- Zariadenie nikdy neprepravujte vo vodorovnej polohe, aby z kompresora nevytiekol olej.
- Pri preprave dávajte pozor, aby nedošlo k poškodeniu chladiaceho okruhu. Chladiaci prostriedok v chladiacom okruhu je ľahko vznietiteľný.

V prípade poškodenia chladiaceho okruhu:

- Nepoužívajte otvorený oheň a zabráňte vzniku iskier.
- Dobře vyvetrajte priestor.

- Prístroj osadíte na suchom mieste, ktoré je chránené pred striekajúcou vodou.

## 2.2 Bezpečnosť pri prevádzke zariadenia



**NEBZPEČENSTVO! Nedodržanie týchto varovaní bude mať za následok smrť alebo vážne poranenie.**

**Nebezpečenstvo ohrozenia života zásahom elektrického prúdu**

- Nikdy sa nedotýkajte holými rukami obnažených vodičov.



**UPOZORNENIE! Nedodržanie týchto upozornení môže mať za následok drobné alebo stredne ťažké poranenie.**

**Nebezpečenstvo ohrozenia života zásahom elektrického prúdu**

- Pred uvedením do prevádzky dbajte na to, aby bolo suché prírodné vedenie a konektor.

### **Ohrozenie zdravia**

- Otvorenie dverí na dlhšiu dobu môže spôsobiť značný nárast teploty v priehradkách zariadenia.
- Pravidelne čistíte povrchy, ktoré môžu prísť do kontaktu s potravinami a prístupnými systémami na odvádzanie kondenzátu.
- Surové mäso a ryby uskladnite v zariadení vo vhodných nádobách, aby neprišli do kontaktu s inými potravinami alebo aby na ne nekvapkali.
- Ak je zariadenie dlhšiu dobu prázdne a nepoužíva sa:
  - Zariadenie vypnite.
  - Zariadenie odmrzte.
  - Zariadenie vyčistíte a vysušte.
  - Nechajte otvorené dvere, aby ste zabránili tvorbe plesní.



**POZOR! Nebezpečenstvo poškodenia**

- Nepoužívajte žiadne elektrické prístroje v chladiacom prístroji, okrem prípadu, keď výrobca odporúča používanie týchto prístrojov takýmto spôsobom.
- Prístroj neodkladajte v blízkosti otvoreného ohňa alebo iných zdrojov tepla (kúrenie, silné slnečné žiarenie, plynové pece atď.).
- **Nebezpečenstvo prehriatia!**  
Dbajte na to, aby sa teplo, ktoré vzniká pri prevádzke, mohlo dostatočne odvádzajúť. Zabezpečte, aby bol prístroj v dostatočnej vzdialenosti od stien alebo predmetov, aby bola umožnená cirkulácia vzduchu.

- Dbajte na to, aby vetracie otvory neboli zakryté.
- Do vnútorného zásobníka nepľňte žiadne kvapaliny alebo ľad.
- Prístroj nikdy neponorte do vody.
- Chráňte prístroj a káble pred vysokými teplotami a mokrom.
- Dbajte na to, aby sa potraviny nedotýkali stien chladiaceho priestoru.

### 3 Použitie na určený účel

Chladiace zariadenie je vhodné na chladenie nápojov a potravín.

Zariadenie je určené na použitie do elektrickej siete 220 – 240 V~.



#### **UPOZORNENIE! Nebezpečenstvo ohrozenia zdravia!**

Skontrolujte, či chladiaci výkon zariadenia zodpovedá požiadavkám potravín alebo liekov, ktoré chcete chladiť.

### 4 Rozsah dodávky

Množstvo	Označenie
1	Minibar
1	Návod na montáž a obsluhu

### 5 Technický opis

Chladiace zariadenie dokáže schladiť produkty maximálne na 21 °C (iba modely RH430LD, RH440LD, RH460LD) alebo 18 °C (iba modely RH430LG, RH440LG, RH460LG) pod teplotu okolia a udržiavať ich chladné. Deliaci mreža sa môže použiť na oddeľovanie potravín, napr. fľaš a sladkostí.

#### Ovládací prvok

Pol. na obr. 1, strane 3	Označenie
1	Regulátor teploty

## Funkcia rozmrazovania

Na chladiacich povrchoch sa môže postupne vytvárať námraza. Na zabránenie takejto tvorby námrazy disponuje spotrebič funkciu vypnutia chladiaceho agregátu na dve hodiny každých 24 hodín.

Počas tejto dvojhodinovej fázy rozmrazovania sa námraza roztopí a rozmrazená voda odtečie do nádoby výparníka v dolnej časti na zadnej strane chladničky. Rozmrazená voda sa automaticky odparí, takže nádobu nie je potrebné ručne vyprázdňovať.

## 6 Montáž



### VÝSTRAHA! Úraz elektrickým prúdom!

Nedodržanie týchto pokynov môže mať za následok smrť alebo vážne poranenie.

- Pri umiestňovaní zariadenia sa ubezpečte, že napájací kábel nie je zachytený alebo poškodený.
- Neumiestňuje žiadne viacnásobné prenosné zásuvky alebo prenosné napájacie adaptéry na zadnú stranu zariadenia.



### UPOZORNENIE! Ohrozenie zdravia

Zariadenie musí byť upevnené podľa opisu v návode, aby sa zabránilo ohrozeniu následkom jeho nestability/uvolnenia.

Chladiace zariadenie je skonštruované na voľné státie. Môže byť aj zabudované do nábytku, keď sú splnené nasledujúce podmienky. Len takto je zaručená optimálna prevádzka a maximálne chladenie.

- Chladiace zariadenie musí byť starostlivo vyrovnané.
- Vzdialenosť medzi zadnou stranou a stenou musí byť minimálne 20 mm.
- Vetranie musí byť realizované ako v alternatívach A, B, C alebo D (obr. **2**, strane 3).
- Vetrací kanál musí mať prierez minimálne 105 mm x šírka chladiaceho zariadenia.
- Chladiaci agregát musí kompletne zasahovať do vetracieho kanála. Iné diely nesmú zasahovať do vetracieho kanála (obr. **2**, strane 3).
- Vzduch, ktorý prúdi cez vetrací kanál, nesmie byť ohrievaný iným zdrojom tepla.
- Používať sa smú len vetracie mriežky (voliteľné), ktoré majú voľnú prierezovú plochu minimálne 200 cm<sup>2</sup>.
- Pri variantoch so skleneným dverami môže vlhkosť kondenzovať na dverách, keď je vlhkosť vzduchu viac ako 65 % pri teplote 25 °C.

- Chladiace zariadenie musí byť upevnené. Použite skrutky s vhodnou dĺžkou a vložte ich cez pätku zariadenia (obr. **3**, strane 3).
- Zásuvka, ku ktorej sa zariadenie pripojí, musí zostať voľne prístupná.

## 6.1 Výmena dekoračnej platne

Dekoračnú platňu môžete vymeniť: obr. **4** až obr. **7**, strane 4.

## 6.2 Montáž posuvného kovania (voliteľné)

Môžete namontovať posuvné kovanie, s ktorým sa dvere chladiaceho zariadenia otvoria súčasne s dverami zabudovanej skrinky: obr. **8**, strane 5, až obr. **23**, strane 8.

## 6.3 Výmena dorazu dverí

Doraz dverí vymeníte nasledovne: obr. **24** až obr. **28**, strane 9.  
Len pre dvere s posuvným kovaním: obr. **26** a obr. **27**, strane 9.

# 7 Obsluha



### UPOZORNENIE! Nebezpečenstvo ohrozenia zdravia!

Skontrolujte, či chladiaci výkon zariadenia zodpovedá požiadavkám potravín alebo liekov, ktoré chcete chladiť.



### POZNÁMKA

- Skôr, ako nový chladiaci box uvediete do prevádzky, mali by ste ho z hygienických dôvodov zvnútra a zvonku poutierať vlhkou handrou (pozri aj „Čistenie a starostlivosť“ na strane 18).
- Ak sa vo vnútri chladiaceho zariadenia vytvorí pár kvapiek vody potom, ako zariadenie chladilo dlhú dobu, chladiace zariadenie nemá poruchu. Vlhkosť vo vzduchu skondenzuje na vodu, ak teplota v chladiacom zariadení poklesne. Ak je to potrebné, vodu utrite suchou handrou.

## 7.1 Tipy pre úsporu energie

- Zvoľte dobre odvetrané a pred slnečným žiarením chránené miesto osadenia.

- Teplé jedlá nechajte najprv ochladiť, pokým ich budete v zariadení udržiavať studené.
- Neotvárajte chladiace zariadenia častejšie než je to potrebné.
- Nenechávajte chladiace zariadenie otvorené dlhšie než je to potrebné.

## 7.2 Používanie chladiaceho zariadenia



### POZOR! Nebezpečenstvo poškodenia!

- Dbajte na to, aby sa v chladiacom boxe nachádzali len predmety, príp. tovar, ktorý sa môže chladiť na zvolenú teplotu.
- Dbajte na to, aby sa nápoje alebo jedlá v sklenených nádobách neskladili príliš silno. Pri zmrazení nápoje alebo tekuté jedlá zväčšia svoj objem. Sklenená nádoba sa tak môže zničiť.
- Dbajte na to, aby chladiaci prístroj bol dobre odvetrávaný, aby sa teplo mohlo odvádzať, v opačnom prípade nebude zaručená jeho riadna činnosť. Zvlášť sa nesmú zakrývať vetracie otvory.



### POZNÁMKA

Keď sa chladiace zariadenie dlhší čas nepoužíva, nechajte dvierka pootvorené, aby ste predišli tvorbe zápachu.

- Postavte chladiaci box na pevný podklad.
- Pripojte pripájací kábel k sieti so striedavým prúdom.
- ✓ Chladiaci prístroj sa spustí s chladením vnútorného priestoru.
- Nastavte regulátor teploty (obr. **1** 1, strane 3) na požadovanú teplotu (3 – 12 °C).
- Keď uvediete chladničku mimo prevádzky, vytiahnite pripájací kábel alebo ...
- Otočte regulátor teploty (obr. **1** 1, strane 3) doľava do polohy OFF (VYP).

## 8 Čistenie a starostlivosť



### VÝSTRAHA!

Pred každým čistením a ošetrovaním odpojte chladiace zariadenie od napájania.



### POZOR! Nebezpečenstvo poškodenia!

- Chladničku nikdy nečistite pod tečúcou vodou alebo dokonca vo vode.
- Na čistenie nepoužívajte ostré čistiace prostriedky alebo tvrdé predmety, pretože by mohli poškodiť chladiaci prístroj.

- Na čistenie vnútra chladiaceho zariadenia použite mäkkú utierku, vlažnú vodu a jemný čistič alebo umývací prostriedok.
- Utrite chladiace zariadenie čistou vodou a dôkladne ho vysušte.
- Pomocou kefy alebo mäkkej utierky občas odstráňte prach z chladiaceho agregátu na zadnej strane chladiaceho zariadenia.

## 8.1 Výmena svetla zariadenia



### VÝSTRAHA!

Pred výmenou svetla zariadenia ho vždy odpojte od napájania.

Zariadenie používa ako svietidlo LED dosku. Novú LED dosku zakúpite u spoločnosti Dometic.

- LED svetlo vymeníte nasledovne: obr. **29**, strane 10

## 9 Odstraňovanie porúch

Problém	Možná príčina	Návrh riešenia
Zariadenie nechladí (agregát na zadnej strane zariadenia je studený).	Zástrčka zariadenia nie je zapojená.	Zapojte zástrčku zariadenia.
	Zásuvka striedavého napätia nevedie napätie.	Skontrolujte poistku alebo vyskúšajte inú zásuvku.
	Zariadenie je vo fáze rozmrazovania.	Po 2 hodinách znova skontrolujte, či zariadenie chladí, pretože fáza rozmrazovania trvá 2 hodiny.
	Elektronika alebo senzor sú chybné.	Opravu môže vykonať iba autorizované služby zákazníkom.
	Ohrevný prvok je chybný.	Opravu môže vykonať iba autorizované servisné stredisko.

Problém	Možná príčina	Návrh riešenia
Zariadenie nechladí (agregát na zadnej strane zariadenia je teplý).	Zariadenie nie je vo vodorovnej polohe.	Vyrovajte zariadenie s pomocou vodováhy.
	Zariadenie bolo zapnuté len pred malou chvíľou.	Nechajte zariadenie bežať 5 až 6 hodín.
	Agregát je chybný.	Opravu môže vykonať iba autorizované servisné stredisko.
Chladiaci výkon zariadenia je slabý.	Agregát je nedostatočne vetraný.	Skontrolujte, či vetracie otvory nie sú zakryté.  Skontrolujte, či zariadenie bolo namontované podľa obr. <b>2</b> , strane 3.
	Zariadenie je vystavené teplu alebo priamemu slnečnému žiareniu.	Zariadenie premiestnite.
	Dvere zariadenia poriadne nepriliehajú.	Skontrolujte, či sú dvere správne namontované. Autorizované servisné stredisko môže v prípade potreby namontovať nové tesnenie dverí.
	Do zariadenia boli len pred malou chvíľou uložené potraviny.	Skontrolujte teplotu po 5 až 6 hodinách.
Vo vnútri zariadenia sa tvorí námraza.	Dvere zariadenia poriadne nepriliehajú.	Skontrolujte, či sú dvere správne namontované. Autorizované servisné stredisko môže v prípade potreby namontovať nové tesnenie dverí.

## 10 Likvidácia




- Obalový materiál podľa možnosti odovzdajte do príslušného odpadu na recykláciu.






Keď výrobok definitívne vyradíte z prevádzky, informujte sa v najbližšom recyklačnom stredisku alebo u vášho špecializovaného predajcu o príslušných predpisoch týkajúcich sa likvidácie.



# 11 Technické údaje

	RH430LD	RH430LG	RH440LD
Hrubý objem:	30 l		40 l
Pripájacie napätie:	220 – 240 V~, 50/60 Hz		
Príkonnosť:	65 W		
Teplotný rozsah:	+3 °C až +12 °C		
Kategória:	2 (chladiaci spotrebič s vyššou teplotou)		
Trieda energetickej účinnosti:	D	F	D
Spotreba energie (kWh/ročne):	260	365	266
Užitočný objem:	26 l	27 l	36 l
Klimatická trieda:	N, T		
Množstvo chladiaceho prostriedku:	100 g		
Teplota okolia:	+16 °C až +32 °C		
Emisie hluku (akustický výkon):	0 dB		
Rozmery (Š × H × V):	384 × 410 × 522	384 × 420 × 522	401 × 446 × 554
Hmotnosť:	13,95 kg	16,7 kg	15 kg
Skúška/certifikát:	  		

	<b>RH440LG</b>	<b>RH460LD</b>	<b>RH460LG</b>
Hrubý objem:	40 l	60 l	
Prípájacie napätie:	220 – 240 V~, 50/60 Hz		
Príkonnosť:	65 W	80 W	
Teplotný rozsah:	+3 °C až +12 °C		
Kategória:	2 (chladiaci spotrebič s vyššou teplotou)		
Trieda energetickej účinnosti:	F	F	G
Spotreba energie (kWh/ročne):	365	372	449
Užitočný objem:	37 l	55 l	56 l
Klimatická trieda:	N, T		
Množstvo chladiaceho prostriedku:	100 g		
Teplota okolia:	+16 °C až +32 °C		
Emisie hluku (akustický výkon):	0 dB		
Rozmery (Š × H × V):	401 × 456 × 554	486 × 474 × 563	486 × 484 × 563
Hmotnosť:	18,4 kg	17,95 kg	22,15 kg
Skúška/certifikát:	  		

**Před uvedením do provozu si pečlivě přečtěte tento návod k obsluze a uschovejte jej. V případě dalšího prodeje ledničky předejte návod novému uživateli.**

Výrobce neručí za škody, které vzniknou **nesprávným použitím** nebo **nesprávnou obsluhou**.

## Obsah

1	Vysvětlení symbolů . . . . .	188
2	Bezpečnostní pokyny . . . . .	189
3	Použití v souladu se stanoveným účelem . . . . .	192
4	Rozsah dodávky . . . . .	192
5	Technický popis . . . . .	192
6	Montáž. . . . .	193
7	Obsluha . . . . .	194
8	Čištění a péče . . . . .	195
9	Odstraňování poruch a závad . . . . .	196
10	Likvidace . . . . .	197
11	Technické údaje . . . . .	198

## 1 Vysvětlení symbolů



### **NEBEZPEČÍ!**

**Bezpečnostní upozornění** na nebezpečnou situaci, která vede k úmrtí nebo těžkému poranění osob, pokud se jí nevyhnete.



### **VÝSTRAHA!**

**Bezpečnostní upozornění** na nebezpečnou situaci, která může vést k úmrtí nebo těžkému poranění osob, pokud se jí nevyhnete.

**UPOZORNĚNÍ!**

**Bezpečnostní upozornění** na nebezpečnou situaci, která může vést k lehkému nebo středně těžkému poranění osob, pokud se jí nevyhnete.

**POZOR!**

Upozornění na situaci, která může vést k poškození majetku, pokud se jí nevyhnete.

**POZNÁMKA**

Doplňující informace týkající se obsluhy výrobku.

## 2 Bezpečnostní pokyny

### 2.1 Obecná bezpečnost



**NEBEZPEČÍ! Nedodržení těchto varování bude mít za následek smrt nebo vážné zranění.**

**Ohrožení života elektrickým proudem**

- Na člunech a lodích: Při použití síťového napájení je nezbytné, aby byl napájecí zdroj chráněn spínačem FI.



**VÝSTRAHA! Nedodržení těchto varování by mohlo mít za následek smrt nebo vážné zranění.**

**Ohrožení života elektrickým proudem**

- Instalace ve vlhkých prostorech a oblastech, které jsou vystaveny vodě, nechejte provést pouze odborníkem.
- V případě, že je přístroj viditelně poškozen, nesmíte jej používat.
- Pokud je přívodní kabel přístroje poškozen, musíte jej nechat vyměnit výrobcem, jeho servisním centrem nebo jinou kvalifikovanou osobou tak, aby nemohlo dojít k jakémukoliv ohrožení.
- Opravy tohoto výrobku smějí provádět pouze odborníci. Nesprávně provedené opravy mohou být zdrojem značných rizik.

**Nebezpečí ohrožení zdraví**

- Tento přístroj mohou používat děti od 8 let a osoby se sníženými fyzickými, smyslovými nebo duševními schopnostmi nebo s nedostatečnými zkušenostmi a znalostmi, pokud jsou pod dohledem nebo obdržely pokyny týkající se používání přístroje bezpečným způsobem a porozuměly souvisejícím nebezpečím.
- Děti si s přístrojem nesmí hrát.
- Čištění a užitvatelem prováděnou údržbu nesmějí provádět děti bez dozoru.
- Děti ve věku 3 až 8 let smí chladicí přístroj nakládat a vykládat.

**Nebezpečí výbuchu**

- Neskladujte v přístroji výbušné látky, jako např. spreje s hnacím plynem.



**UPOZORNĚNÍ! Nedodržení těchto upozornění by mohlo mít za následek lehké nebo střední zranění.**

**Nebezpečí přivření**

- Nesahejte do závěsu.

**Nebezpečí ohrožení zdraví**

- Skladujte potraviny pouze v originálním balení nebo ve vhodných nádobách.

**POZOR! Nebezpečí poškození**

- Porovnejte údaj o napětí na typovém štítku se stávajícím zdrojem napájení.
- Nikdy nevytahujte zástrčku ze zásuvky tahem za přírodní kabel.
- Chladnička není vhodná ke skladování leptavých látek nebo látek obsahujících rozpouštědla.
- Udržujte odtokový otvor vždy čistý.
- Nikdy neotevírejte chladicí okruh.
- Nikdy nepřepravujte přístroj ve vodorovné poloze, aby z kompresoru nemohl vytéct olej.
- Dávejte při přepravě pozor, abyste nepoškodili chladicí okruh. Chladivo v chladicím okruhu je vysoce hořlavé.  
Při poškození chladicího okruhu:
  - Pozor na otevřený oheň a jiskření.
  - Dobře větrejte místnost.
- Umístěte přístroj na suchém místě chráněním před stříkající vodou.

## 2.2 Bezpečnost za provozu přístroje



**NEBEZPEČÍ! Nedodržení těchto varování bude mít za následek smrt nebo vážné zranění.**

### Ohrožení života elektrickým proudem

- Nikdy se nedotýkejte odizolovaných vodičů.



**UPOZORNĚNÍ! Nedodržení těchto upozornění by mohlo mít za následek lehké nebo střední zranění.**

### Ohrožení života elektrickým proudem

- Před uvedením do provozu zkontrolujte, zda jsou přírodní kabel a zástrčka suché.

### Nebezpečí ohrožení zdraví

- Otevření dvířek na delší dobu může způsobit výrazné zvýšení teploty v přihrádkách přístroje.
- Pravidelně čistěte povrchy, které se mohou dostat do kontaktu s potravinami a přístupnými odtokovými systémy.
- Syrové maso a ryby skladujte ve vhodných nádobách v přístroji tak, aby se nedostaly do styku s jinými potravinami nebo neodkapávaly na jiné potraviny.
- Pokud je přístroj delší dobu nečinný:
  - Vypněte přístroj.
  - Odmrazte přístroj.
  - Vyčistěte a osušte přístroj.
  - Dvířka udržujte otevřená, aby se zabránilo tvorbě plísně uvnitř přístroje.



### POZOR! Nebezpečí poškození

- Nepoužívejte uvnitř chladničky žádné elektrické přístroje, pouze pokud jsou k tomu takové přístroje doporučeny výrobcem.
- Neinstalujte přístroj v blízkosti otevřeného ohně nebo jiných tepelných zdrojů (topení, přímé sluneční záření, plynová kamna apod.).
- **Nebezpečí přehřátí!**  
Vždy dbejte, aby bylo teplo, vznikající za provozu zařízení, dostatečně odváděno. Zajistěte, aby byl přístroj postaven v dostatečné vzdálenosti od stěn nebo předmětů tak, aby mohl vzduch cirkulovat.
- Pamatujte, že nesmějí být zakryty větrací otvory.
- Do vnitřní nádoby nelijte žádné kapaliny ani do ní nedávejte led.

- Nikdy neponořujte přístroj do vody.
- Chraňte přístroje a kabely před horkem a vlhkem.
- Pozor, aby se potraviny nedotýkaly stěn chladicího prostoru.

### 3 Použití v souladu se stanoveným účelem

Chladnička je určena k chlazení nápojů a potravin.

Toto zařízení je určeno k použití s napájením 220 – 240 V.



#### **UPOZORNĚNÍ! Nebezpečí ohrožení zdraví!**

Zkontrolujte, zda chladicí výkon přístroje odpovídá požadavkům potravin nebo léčiv, které chcete skladovat.

### 4 Rozsah dodávky

Množství	Název
1	Minibar
1	Návod k montáži a obsluze

### 5 Technický popis

Chladicí zařízení umí vychladit produkty na maximum 21 °C (pouze RH430LD, RH440LD, RH460LD) nebo 18 °C (pouze RH430LG, RH440LG, RH460LG) za okolní teploty a udržet je chladné. K oddělení potravin, například lahví a cukrovinek je možné použít dělicí mřížku.

#### Ovládací prvek

Poz. na obr. <b>1</b> , strana 3	Název
1	Regulátor teploty

## Odmrazovací funkce

Na chladicích plochách bude postupně vznikat námraza. Pro zajištění prevence vzniku námrazy má přístroj funkci vypnutí agregátu na dvě hodiny každých 24 hodin.

Během dvou hodin odmrzovací fáze námraza roztaje a roztátá voda odteče do vypařovací nádoby dole vzadu na chladničce. Roztátá voda se automaticky vypaří a není nutné ji ručně vyprazdňovat.

## 6 Montáž



### **VAROVÁNÍ! Úraz elektrickým proudem!**

Nedodržení těchto pokynů by mohlo mít za následek smrt nebo vážné zranění.

- Při umístění přístroje se ujistěte, že není zachycen nebo poškozen přívodní kabel.
- Přenosné vícenásobné zásuvky nebo přenosné napájecí zdroje neu-  
mísťujte v zadní části přístroje.



### **UPOZORNĚNÍ! Nebezpečí ohrožení zdraví**

Aby se zabránilo nebezpečí v důsledku nestability přístroje, je nutné jej upevnit v souladu s pokyny.

Chladnička je určena k samostatnému použití. Lze ji namontovat i do nábytku, pokud jsou splněny následující podmínky. Pouze tak je zajištěn optimální provoz a maximální chlazení.

- Chladničku je nutné pečlivě vyrovnat.
- Vzdálenost mezi zadní stranou a stěnou musí být minimálně 20 mm.
- Větrání musí být realizováno variantou A, B, C nebo D (obr. **2**, strana 3).
- Větrací kanál musí mít průřez minimálně 105 mm x šířka chladničky.
- Chladicí agregát musí zcela vyčnívat do větracího kanálu. Ostatní díly nesmějí vyčnívat do větracího kanálu (obr. **2**, strana 3).
- Vzduch, který proudí větracím kanálem, nesmí být ohříván jiným tepelným zdrojem.
- Smějí se používat pouze větrací mřížky (volitelné), které mají plochu volného průřezu minimálně 200 cm<sup>2</sup>.
- U variant se skleněnými dveřmi může na dvířkách kondenzovat vlhkost, pokud je vlhkost vzduchu při 25 °C vyšší než 65 %.



- Chladicí přístroj musí být upevněn. Použijte šrouby vhodné délky a vložte je do nožek přístroje (obr. **3**, strana 3).
- Zásuvka, ke které se přístroj připojí, musí zůstat volně přístupná.

## 6.1 Výměna dekorační desky

Dekorační desku lze vyměnit: obr. **4** až obr. **7**, strana 4.

## 6.2 Montáž posuvného kování (volitelné)

Je možné namontovat posuvné kování, díky němuž se dvířka chladničky budou otvírat současně s dvířky vestavěné skříňě: obr. **8**, strana 5, až obr. **23**, strana 8.

## 6.3 Změna směru zavírání dvířek

Postup změny směru zavírání dvířek: obr. **24** až obr. **28**, strana 9.  
Pouze pro dvířka s posuvným kováním: obr. **26** a obr. **27**, strana 9.

# 7 Obsluha



### UPOZORNĚNÍ! Nebezpečí ohrožení zdraví!

Zkontrolujte, zda chladicí výkon přístroje odpovídá požadavkům potravin nebo léčiv, které chcete skladovat.



### POZNÁMKA

- Dříve než uvedete novou chladničku do provozu, měli byste ji z hygienických důvodů očistit zevnitř i zvenčí vlhkou utěrkou (viz též „Čištění a péče“ na straně 18).
- Jestliže se po delší době chlazení vytvoří uvnitř chladicího zařízení několik kapek vody, chladicí zařízení není vadné. Vzdušná vlhkost se kondenzací přemění na vodu, když poklesne teplota v chladicím zařízení. Vytřete vodu suchou utěrkou a podle potřeby vysušte.

## 7.1 Tipy k úspoře energie

- K používání vyberte dobře větrané místo chráněné před slunečním zářením.
- Teplé pokrmy nechejte před uložením do chladničky vychladnout.
- Neotevírejte chladničku častěji, než je nezbytně nutné.
- Nenechávejte chladničku otevřenou déle, než je nezbytně nutné.

## 7.2 Používání chladničky



### POZOR! Nebezpečí poškození!

- Dbejte, aby byly v chladničce skladovány pouze předměty nebo potraviny, které je dovoleno chladit na nastavenou teplotu.
- Nechlad'te nápoje nebo pokrmy ve skleněných nádobách na příliš nízkou teplotu. Po zmrazení zvětší nápoje nebo tekuté potraviny svůj objem. Následkem může být poškození nebo zničení skleněných nádob.
- Pamatujte, že stejně jako u každé jiné chladničky musí být zajištěno dobré odvětrávání, které umožňuje dostatečné odvádění vznikajícího tepla. V opačném případě není zajištěna řádná funkce přístroje. Především pak nesmějí být zakrývány větrací otvory.



### POZNÁMKA

Pokud nebudete chladničku delší dobu používat, nechteje dvířka pootevřená tak, aby uvnitř chladničky nevznikal zápach.

- Umístěte ledničku na pevnou podložku.
- Připojte přívodní kabel k síti střídavého proudu.
- ✓ Chladnička zahájí chlazení vnitřního prostoru.
- Nastavte regulátor teploty (obr. **1** 1, strana 3) na požadovanou teplotu (3 – 12 °C).
- Po vypnutí chladničky z provozu odpojte připojovací kabel ze zásuvky. nebo ...
- Otáčejte regulátorem (obr. **1** 1, strana 3) proti směru hodinových ručiček do polohy OFF.

## 8 Čištění a péče



### VÝSTRAHA!

Před zahájením jakéhokoliv čištění nebo péče odpojte chladničku od sítě.



### POZOR! Nebezpečí poškození!

- Nikdy neumývejte chladničku pod tekoucí vodou nebo ve vodní lázni.
- K čištění nepoužívejte čisticí prostředky nebo tvrdé předměty, může dojít k poškození chladničky.

- K čištění vnitřku chladničky použijte měkkou utěrku, vlažnou vodu a mírný čisticí nebo mycí prostředek.
- Chladničku vydrhněte čistou vodou a nechejte důkladně vysušit.
- Čas od času odstraňte prach z chladicího agregátu na zadní straně chladničky pomocí kartáče nebo měkké utěrky.

## 8.1 Výměna osvětlovacího prvku v přístroji



### VAROVÁNÍ

Před výměnou osvětlovacího prvku vždy odpojte přístroj od napájení.

Jako osvětlovací prvek zařízení používá LED desku. Novou LED desku je možné získat od firmy Dometic.

- Vyměňte LED světlo následujícím způsobem: obr. 29, strana 10

## 9 Odstraňování poruch a závad

Problém	Možná příčina	Návrh řešení
Přístroj nechladí (agregát vzadu na zařízení je studený).	Zástrčka přístroje není zastrčená.	Zastrčte zástrčku přístroje.
	Zásuvka na střídavé napětí není pod napětím.	Zkontrolujte pojistku nebo zkuste použít jinou zásuvku.
Přístroj se nachází v odmrazovací fázi.	Přístroj se nachází v odmrazovací fázi.	Zkontrolujte znovu, zda přístroj po 2 hodinách začne chladit, protože odmrazovací fáze trvá 2 hodiny.
	Elektronika nebo snímač jsou vadné.	Opravu může provést pouze autorizovaná provozovna zákaznického servisu.
	Topné těleso je vadné.	Opravu může provést pouze autorizované středisko oprav.

Problém	Možná příčina	Návrh řešení
Přístroj nechladí (agregát vzadu na zařízení je teplý).	Přístroj není ve vodorovné poloze.	Vyrovnejte přístroj pomocí vodováhy.
	Přístroj byl zapnutý jen krátkou chvílí.	Nechejte přístroj běžet 5 až 6 hodin.
	Agregát je vadný.	Opravu může provést pouze autorizované středisko oprav.
Chladicí výkon přístroje je slabý.	Agregát není dostatečně odvětrávaný.	Zkontrolujte, zda nejsou zakryté větrací otvory.  Zkontrolujte, zda byl přístroj nainstalován v souladu s částí obr. <b>2</b> , strana 3.
	Přístroj je vystavený teplu nebo přímému slunečnímu světlu.	Přemístěte přístroj.
	Dveře přístroje se nezavírají těsně.	Zkontrolujte, zda jsou dveře správně nainstalované. Je-li potřeba, autorizované středisko oprav může nainstalovat nové těsnění dveří.
	Přístroj byl naplněn teprve před krátkou chvílí.	Zkontrolujte teplotu po 5 až 6 hodinách.
	Uvnitř přístroje se tvoří námraza.	Dveře přístroje se nezavírají těsně. Zkontrolujte, zda jsou dveře správně nainstalované. Je-li potřeba, autorizované středisko oprav může nainstalovat nové těsnění dveří.




## 10 Likvidace




► Obalový materiál likvidujte v odpadu určeném k recyklaci.



Jakmile výrobek zcela vyřadíte z provozu, informujte se v příslušných recyklačních centrech nebo u specializovaného prodejce o příslušných předpisech o likvidaci odpadu.

# 11 Technické údaje

	<b>RH430LD</b>	<b>RH430LG</b>	<b>RH440LD</b>
Obsah brutto:	30 l		40 l
Napájecí napětí:	220 – 240 V~, 50/60 Hz		
Příkon:	65 W		
Teplotní rozsah:	+3 °C až +12 °C		
Kategorie:	2 (sklep)		
Energetická třída účinnosti:	D	F	D
Spotřeba energie (kWh/rok):	260	365	266
Využitelný objem:	26 l	27 l	36 l
Klimatická třída:	N, T		
Množství chladicího média:	100 g		
Okolní teplota	+16 °C až +32 °C		
Hlukové emise (zvukový výkon):	0 dB		
Rozměry (Š × H × V):	384 x 410 x 522	384 x 420 x 522	401 x 446 x 554
Hmotnost:	13,95 kg	16,7 kg	15 kg
Kontrola/certifikát:	  		

	<b>RH440LG</b>	<b>RH460LD</b>	<b>RH460LG</b>
Obsah brutto:	40 l	60 l	
Napájecí napětí:	220 – 240 V~, 50/60 Hz		
Příkon:	65 W	80 W	
Teplotní rozsah:	+3 °C až +12 °C		
Kategorie:	2 (sklep)		
Energetická třída účinnosti:	F	F	G
Spotřeba energie (kWh/rok):	365	372	449
Využitelný objem:	37 l	55 l	56 l
Klimatická třída:	N, T		
Množství chladicího média:	100 g		
Okolní teplota	+16 °C až +32 °C		
Hlukové emise (zvukový výkon):	0 dB		
Rozměry (Š × H × V):	401 x 456 x 554	486 x 474 x 563	486 x 484 x 563
Hmotnost:	18,4 kg	17,95 kg	22,15 kg
Kontrola/certifikát:	  		

**Az üzembe helyezés előtt gondosan olvassa el és őrizze meg ezt az útmutatót. Ha a hűtökészüléket továbbadja, mellékelje hozzá az útmutatót is.**

A gyártó nem felelős olyan károkért vagy sérülésekért, amelyeket **nem rendeltetésszerű használat** vagy **hibás kezelés** okozott.

## Tartalomjegyzék

1	Szimbólumok magyarázata	200
2	Biztonsági tudnivalók	201
3	Rendeltetésszerű használat	204
4	Szállítási terjedelelem	204
5	Műszaki leírás	204
6	Szerelés	205
7	Kezelés	206
8	Tisztítás és ápolás	207
9	Hibaelhárítás	208
10	Ártalmatlanítás	209
11	Műszaki adatok	210

## 1 Szimbólumok magyarázata



### **VESZÉLY!**

**Biztonsági megjegyzés** olyan veszélyes helyzetre vonatkozóan, amely halált vagy súlyos sérülést okoz, ha nem kerülik el.



### **FIGYELMEZTETÉS!**

**Biztonsági megjegyzés** olyan veszélyes helyzetre vonatkozóan, amely halált vagy súlyos sérülést okozhat, ha nem kerülik el.



### **VIGYÁZAT!**

**Biztonsági megjegyzés** olyan veszélyes helyzetre vonatkozóan, amely könnyű vagy közepesen súlyos sérülést okozhat, ha nem kerülik el.

**FIGYELEM!**

Felhívás olyan helyzetre, amely dologi kárt okozhat, ha nem kerülük el.

**MEGJEGYZÉS**

A termék kezelésére vonatkozó kiegészítő információk.

## 2 Biztonsági tudnivalók

### 2.1 Általános biztonság



**VESZÉLY! Ezeknek a figyelmeztetéseknek a figyelmen kívül hagyása súlyos, vagy halálos sérüléshez vezet.**

**Áramütés miatti életveszély**

- Hajóknál: hálózati üzem esetén feltétlenül gondoskodjon arról, hogy az áramellátás FI-relén keresztül legyen biztosítva.



**FIGYELMEZTETÉS! Ezeknek a figyelmeztetéseknek a figyelmen kívül hagyása súlyos, vagy halálos sérüléshez vezethet.**

**Áramütés miatti életveszély**

- A nedves környezetben és vizes helyiségekben történő telepítéseket csak szakemberrel végeztesse el.
- Ne használja a készüléket, ha az láthatóan megsérült!
- Ha a készülék csatlakozókábele megsérül, akkor azt – a veszélyeztetések elkerülése érdekében – a gyártóval, a vevőszolgálattal vagy egy hasonlóan képzett szakemberrel kell kicseréltetni.
- A készüléken csak szakember végezhet javításokat. Nem szakszerű javítások jelentős veszélyeket okozhatnak.

**Egészségkárosodás veszélye**

- A készüléket 8 év feletti gyermekek, valamint korlátozott fizikai, érzékelési és mentális képességű, illetve megfelelő tapasztalattal és tudással nem rendelkező személyek csak felügyelet mellett, illetve a készülék biztonságos használatát és az abból eredő veszélyeket megértve használhatják.
- A készülékkel gyerekek nem játszhatnak.
- A tisztítást és a felhasználói karbantartást gyermekek felügyelet nélkül nem végezhetik.



- A 3 és 8 év közötti gyermekek már kivehetnek és berakhatnak élelmiszereket a hűtőkészülékekbe.

### **Robbanásveszély**

- Ne tároljon a készülékben robbanékony anyagokat (például éghető hajtógázt tartalmazó permetpalackokat).



**VIGYÁZAT! Ezeknek a vigyázat felhívásoknak a figyelmen kívül hagyása könnyű, vagy közepesen súlyos sérüléshez vezethet.**

### **Zúzdásveszély**

- Ne nyúljon a zsanérok közé.

### **Egészségkárosodás veszélye**

- Élelmiszert csak eredeti csomagolásban vagy megfelelő tárolókban szabad tárolni.



### **FIGYELEM! Sérülés veszélye**

- Hasonlítsa össze a feszültségadatokat a típustáblán a rendelkezésre álló energiaellátással.
- Soha ne húzza ki a csatlakozódugót a csatlakozókábelnél fogva az aljzatból.
- A hűtőkészülék nem alkalmas maró hatású vagy oldószert tartalmazó anyagok tárolására.
- Mindig tartsa tisztán a lefolyónyílást.
- Semmilyen esetben ne nyissa ki a hűtőkört.
- Soha ne szállítsa vízszintes helyzetben a készüléket, nehogy kifolyjon az olaj a kompresszorból.
- Ügyeljen arra a szállításkor, hogy ne sérüljön a hűtőkör. A hűtőkörben található hűtőközeg gyúlékony.  
A hűtőkör sérülése esetén:
  - Kerülje a nyílt lángot és a gyújtószikrákat.
  - Szellőztesse ki jól a helyiséget.
- A készüléket száraz és fröccsenő víz ellen védett helyen állítsa fel.

## **2.2 Biztonság a készülék üzemeltetése során**



**VESZÉLY! Ezeknek a figyelmeztetéseknek a figyelmen kívül hagyása súlyos, vagy halálos sérüléshez vezet.**

### **Áramütés miatti életveszély**

- Soha ne fogjon meg pusztá kézzel csupasz vezetékeket.



**VIGYÁZAT! Ezeknek a vigyázat felhívásoknak a figyelmen kívül hagyása könnyű, vagy közepesen súlyos sérüléshez vezethet.**

### **Áramütés miatti életveszély**

- Üzembe helyezés előtt ügyeljen arra, hogy a vezeték és a dugasz száraz legyen.

### **Egészségkárosodás veszélye**

- Az ajtó hosszabb ideig történő nyitva tartása jelentős hőmérsékletemelkedést idézhet elő a készülék rekeszeiben.
- Tisztítsa meg rendszeresen az élelmiszerrel érintkező felületeket és a hozzáférhető lefolyórendszereket.
- Annak érdekében hogy ne érjenek hozzá más élelmiszerekhez és ne csöpögjenek ezekre, a nyers húst és a halat a készülék erre a célra szolgáló rekeszében tárolja.
- Ha a készülék hosszabb ideig üresen áll:
  - Kapcsolja ki a készüléket.
  - Olvassza le a készüléket.
  - Tisztítsa meg és szárítsa ki a készüléket.
  - A készülék penészedésének elkerülése érdekében hagyja nyitva az ajtót.



### **FIGYELEM! Sérülés veszélye**

- Ne használjon elektromos készülékeket a hűtőkészülék belsejében, kivéve, ha ezeket a készülékeket a gyártó erre a célra javasolja.
- Ne helyezze a készüléket nyílt láng vagy más hőforrás közelébe (fűtés, erős napsugárzás, gázkályha stb.).
- **Túlmelegedés miatti veszély!**  
Mindig ügyeljen arra, hogy az üzemeltetés során keletkező hő kielégítően eltávozhasson. A levegő keringetése érdekében gondoskodjon arról, hogy a készülék kielégítő távolságban álljon a faltól vagy tárgytól.
- Ügyeljen arra, hogy a szellőzőnyílások ne legyenek lefedve.
- Ne töltsön folyadékot vagy jeget a belső tartályba.
- Soha ne merítse vízbe a készüléket.
- Védje a készüléket és a kábeleket a hőtől és a nedvességtől.
- Ügyeljen arra, hogy az élelmiszerek ne érjenek hozzá a hűtőtér falaihoz.

## 3 Rendeltetésszerű használat

A hűtőkészülék italok és csemegék hűtésére alkalmas.

A készülék 220 – 240 V~ hálózati feszültséggel használható.



### VIGYÁZAT! Egészségkárosodás veszélye!

Ellenőrizze, hogy a készülék hűtőtéljesítménye megfelel-e a hűteni kívánt élelmiszerek vagy gyógyszerek követelményeinek.

## 4 Szállítási terjedelem

Mennyiség	Megnevezés
1	Minibár
1	Szerelési és kezelési útmutató

## 5 Műszaki leírás

A hűtőkészülék szobahőmérsékleten (az RH430LD, az RH440LD és az RH460LD sorozatszám készülékek esetén) legfeljebb 21 °C vagy a 18 °C (az RH430LG, az RH440LG, és az RH460LG sorozatszám készülékek esetén) hőmérsékletű termékeket képes lehűteni és hidegen tartani. Az elválasztórács élelmiszerek, például palackok és édességek elválasztására szolgál.

### Kezelőelem

Szám itt: 1. ábra, 3. oldal	Megnevezés
1	Hőmérséklet-szabályozó

### Jégtelenítés funkció

A hűtőfelületeken fokozatosan jégréteg képződik. A készülék jegesedésének megelőzése érdekében a készülék olyan funkcióval rendelkezik, amely 24 óránként két órára kikapcsolja az aggregátot.

A kétórás jégtelenítő fázis során a jég elolvad, a víz pedig a hűtőszekrény alján, hátul található párologtató edénybe folyik. A leolvadt víz magától elpárolog, így Önnek nem szükséges kiürítenie az edényt.

## 6 Szerelés



### FIGYELMEZTETÉS! Áramütés!

Ezeknek az utasításoknak a figyelmen kívül hagyása súlyos, vagy halálos sérüléshez vezethet.

- A készülék elhelyezésekor ügyeljen arra, hogy ne csipje be és ne károsítsa a tápkábelt.
- Ne helyezzen el több hordozható aljzatot, vagy hordozható tápegységet a készülék hátsó részénél.



### VIGYÁZAT! Egészségkárosodás veszélye

A készülék instabilitása miatti kockázatok elkerülése érdekében az utasításoknak megfelelően rögzíteni kell azt.

A készüléket szabadonálló felhasználásra tervezték. Ha a következő feltételek teljesülnek, akkor egy bútorba is beépíthető. Így biztosítható az optimális üzem és a maximális hűtési teljesítmény.

- A hűtőszekrényt odafigyelve kell elhelyezni.
- A hátoldal és a fal közötti távolság legalább 20 mm kell hogy legyen.
- A szellőztetést az A, B, C vagy D módokon kell megvalósítani (**2.** ábra, 3. oldal).
- A szellőzőcsatorna mérete legalább 105 mm x a hűtőkészülék szélessége kell hogy legyen.
- A hűtőaggregát teljesen be kell hogy nyúljon a szellőzőcsatornába. Más alkatrészek viszont nem nyúlhatnak bele a szellőzőcsatornába (**2.** ábra, 3. oldal).
- A szellőzőcsatornán áthaladó levegőt más hőforrás nem melegítheti fel.
- Csak olyan szellőzőrácsokat (opcionális) szabad használni, melyek keresztmetszeti felülete legalább 200 cm<sup>2</sup>.
- Ha a levegő páratartalma meghaladja a 65 %-ot 25 °C-on, akkor az üvegajtós változatoknál a nedvesség lecsapódhat az ajtón.
- Rögzíteni kell a hűtőkészüléket. Használjon megfelelő hosszúságú csavarokat és ezeket tolja át a készülék lábán (**3.** ábra, 3. oldal).
- A készülék csatlakoztatását szolgáló dugaszoló aljzatnak szabadon hozzáférhetőnek kell lennie.

### 6.1 Dekorlap kicserélése

A dekorlapot kicserélheti: **4.** ábra - **7.** ábra, 4. oldal.

## 6.2 A tartózsánér beszerelése (opcionális)

Olyan tartózsánért szerelhet fel, amellyel a hűtőszekrény ajtaja egyszerre nyílik majd a beépíthető szekrény ajtajával: **8**. ábra, 5. oldal, **23**. ábra, 8. oldal-ig.

## 6.3 Az ajtópánt cseréje

Így cserélje ki az ajtópántot: **24**. ábra - **28**. ábra, 9. oldal.

Csak tartózsánérral rendelkező ajtók esetén: **26**. ábra és **27**. ábra, 9. oldal.

# 7 Kezelés



### VIGYÁZAT! Egészségkárosodás veszélye!

Ellenőrizze, hogy a készülék hűtőteljesítménye megfelel-e a hűteni kívánt élelmiszerek vagy gyógyszerek követelményeinek.



### MEGJEGYZÉS

- Mielőtt üzembe helyezné a hűtőkészüléket, higiéniai okokból ajánlatos belül és kívül nedves kendővel megtisztítani (lásd a 18. oldalon a „Tisztítás és ápolás” fejezetet).
- Ha hosszabb hűtési idő után néhány csepp víz képződik a hűtőkészülékben, az nem jelenti azt, hogy a hűtőkészülék hibás. Amikor a hűtőkészülék belső hőmérséklete lecsökken, akkor a levegő páratartalma víz formájában csapódik le. Szükség esetén törölje a szárazra a készüléket egy száraz törülőruhával.

## 7.1 Energiatakarékosági tippek

- A készülék működtetéséhez válasszon jól szellőző és napfénytől védett helyet.
- Hagyja lehűlni a meleg ételeket, mielőtt azokat hidegen tartaná a készülékben.
- Ne nyissa ki a hűtőkészüléket a szükségesnél gyakrabban.
- Ne hagyja nyitva a hűtőkészüléket a szükségesnél hosszabban.

## 7.2 A hűtőkészülék használata



### FIGYELEM! Sérülésveszély!

- Ügyeljen arra, hogy csak olyan tárgyak, illetve áruk legyenek a hűtőkészülékben, amelyek lehűthetők a kiválasztott hőmérsékletre.
- Ügyeljen arra, hogy üvegtárolókban levő italok vagy ételek ne hűljenek le túlzottan. Megfagyás esetén a folyadékok vagy folyékony ételek térfogata megnő. Ez az üvegtárolók széttörését okozhatja.
- Ügyeljen a hűtőkészülék jó szellőzésére, hogy a belsejéből elvont hő távozni tudjon; ellenkező esetben nincs biztosítva a rendeltetésszerű működés. Különösen a szellőzőnyílásokat nem szabad letakarni.



### MEGJEGYZÉS

Ha a hűtőkészüléket hosszabb ideig nem használja, akkor a szagképződés elkerülése érdekében hagyja kissé nyitva az ajtót.

- ▶ A hűtőkészüléket szilárd aljzatra állítsa.
- ▶ Csatlakoztassa a csatlakozókábelt a váltakozó áramú hálózathoz.
- ✓ A hűtőkészülék megkezdi a belső tér hűtését.
- ▶ Állítsa a hőmérséklet-szabályozót (1. ábra 1, 3. oldal) a kívánt fokozatra (3 – 12 °C).
- ▶ Amikor a hűtőszekrényt üzemen kívül helyezi, húzza ki a csatlakozókábelt vagy ...
- ▶ Forgassa el a hőszabályozót (1. ábra 1, 3. oldal) óramutató járásával ellentétes irányba, az OFF helyzetbe.

## 8 Tisztítás és ápolás



### FIGYELMEZTETÉS!

A hűtőkészüléket minden tisztítás és karbantartás előtt válassza le az áramellátásról.



### FIGYELEM! Sérülésveszély!

- Soha ne tisztítsa a hűtőkészüléket folyó víz alatt vagy mosogatóvízben.
- Ne használjon a tisztításhoz éles tisztítóeszközöket vagy kemény tárgyakat, mert azok a hűtőkészüléket megsérthetik.

- ▶ A hűtőkészülék belsejének tisztításához használjon puha kendőt, meleg szappanos vizet és kímélő tisztítószer, vagy mosogatószert.
- ▶ Tiszta vízzel alaposan dörzsölje ki a hűtőkészüléket és alaposan szárítsa meg.
- ▶ A hűtőkészülék hátoldalán a hűtőaggregátról egy kefe, vagy egy puha kendő használatával rendszeresen távolítsa el a port.

## 8.1 A készülék lámpaégőjének cseréje



### FIGYELMEZTETÉS!

A készülék égőjének cseréje előtt mindig áramtalanítsa a készüléket.

Az eszköz megvilágítását egy LED-tábla biztosítja. A Dometic-től új LED-táblát vásárolhat.

- ▶ A LED-égő cseréjéhez kövesse az alábbi lépéseket: **29.** ábra, 10. oldal

## 9 Hibaelhárítás

Probléma	Lehetséges ok	Megoldási javaslat
A készülék nem hűl le (a készülék hátulján található aggregát hideg).	Az eszköz csatlakozódugója nincs csatlakoztatva.	Csatlakoztassa az eszközt egy áramforráshoz.
	A váltakozó áramú aljzatban nincs feszültség.	Ellenőrizze a biztosítékot, majd próbáljon ki egy másik csatlakozóaljzatot.
	Az eszköz jégtelenítés alatt áll.	A jégtelenítés 2 órát vesz igénybe, ezért 2 óra után ellenőrizze a készüléket.
	Az érzékelő elektronikai alkatrészei meghibásodtak.	A javítást csak engedéllyel rendelkező vevőszolgálat végezheti.
	Meghibásodott a fűtőelem.	A javítást csak engedéllyel rendelkező vevőszolgálat végezheti.
A készülék nem hűl le (a készülék hátulján található aggregát meleg).	A készülék nincs vízszintes helyzetben.	Igazítsa meg a készüléket egy szintezővel.
	A készüléket nem rég kapcsolták ki.	Működtesse a készüléket 5 – 6 órán át.
	Meghibásodott az aggregát.	A javítást csak engedéllyel rendelkező vevőszolgálat végezheti.

Probléma	Lehetséges ok	Megoldási javaslat
A készülék hűtési teljesítménye gyenge.	Az aggregát szellőzése nem megfelelő.	Ellenőrizze, hogy a szellőzőnyílások nincsenek-e lefedve.  Ellenőrizze, hogy a készüléket megfelelően szerelték-e be. Lásd: <b>2.</b> ábra, 3. oldal.
	A készülék hőhatásnak vagy közvetlen napfénynek volt kitéve.	Helyezze át a készüléket.
	Az eszköz ajtaja nem zár megfelelően.	Ellenőrizze, hogy jól szerelték-e be az ajtót. Szükség esetén kérje új ajtótmítés behelyezését egy engedéllyel rendelkező vevőszolgálattól.
	A készülék nem rég üzemelt.	5 – 6 óra után ellenőrizze a hőmérsékletet.
A készülék eljegesedett.	Az eszköz ajtaja nem zár megfelelően.	Ellenőrizze, hogy jól szerelték-e be az ajtót. Szükség esetén kérje új ajtótmítés behelyezését egy engedéllyel rendelkező vevőszolgálattól.

## 10 Ártalmatlanítás




- A csomagolóanyagot lehetőleg a megfelelő újrahasznosítható hulladék közé tegye.






Ha a terméket véglegesen kivonja a forgalomból, kérjük, tájékozódjon a legközelebbi hulladékártalmatlanító központnál vagy a szakkereskedőjénél az idevonatkozó ártalmatlanítási előírásokkal kapcsolatban.



# 11 Műszaki adatok

	RH430LD	RH430LG	RH440LD
Bruttó úrtartalom:	30 l		40 l
Csatlakozási feszültség:	220 – 240 V~, 50/60 Hz		
Teljesítményfelvétel:	65 W		
Hőmérséklet-tartomány:	+3 °C és +12 °C között		
Kategória:	2 (hűtőkamra)		
Energiahatékonysági osztály:	D	F	D
Energiafogyasztás (kWh/év):	260	365	266
Hasznos úrtartalom:	26 l	27 l	36 l
Klímaosztály:	N, T		
Hűtőközeg mennyisége:	100 g		
Környezeti hőmérséklet	+16 °C és +32 °C között		
Zajkibocsátás (hangteljesítmény):	0 dB		
Méreték (szélesség x mélység x magasság):	384 x 410 x 522	384 x 420 x 522	401 x 446 x 554
Súly:	13,95 kg	16,7 kg	15 kg
Vizsgálat / tanúsítvány:	  		

	<b>RH440LG</b>	<b>RH460LD</b>	<b>RH460LG</b>
Bruttó úrtartalom:	40 l	60 l	
Csatlakozási feszültség:	220 – 240 V~, 50/60 Hz		
Teljesítményfelvétel:	65 W	80 W	
Hőmérséklet-tartomány:	+3 °C és +12 °C között		
Kategória:	2 (hűtőkamra)		
Energiahatékonysági osztály:	F	F	G
Energiafogyasztás (kWh/év):	365	372	449
Hasznos úrtartalom:	37 l	55 l	56 l
Klímaosztály:	N, T		
Hűtőközeg mennyisége:	100 g		
Környezeti hőmérséklet	+16 °C és +32 °C között		
Zajkibocsátás (hangteljesítmény):	0 dB		
Méreték (szélesség x mélység x magasság):	401 x 456 x 554	486 x 474 x 563	486 x 484 x 563
Súly:	18,4 kg	17,95 kg	22,15 kg
Vizsgálat / tanúsítvány:	  		

Mobile living made easy.

---



**dometic.com**

---

**YOUR LOCAL  
DEALER**

**dometic.com/dealer**

**YOUR LOCAL  
SUPPORT**

**dometic.com/contact**

**YOUR LOCAL  
SALES OFFICE**

**dometic.com/sales-offices**

---

A complete list of Dometic companies, which comprise the Dometic Group, can be found in the public filings of:  
**DOMETIC GROUP AB** Hemvärnsgatan 15 SE-17154 Solna Sweden