

RANGE	CODE	MODEL	FUNCTION
MO - 70	CR1307230	NEF74EIOVG	Fryers

ITEM

Electric fryer with 1 x 10 L tank

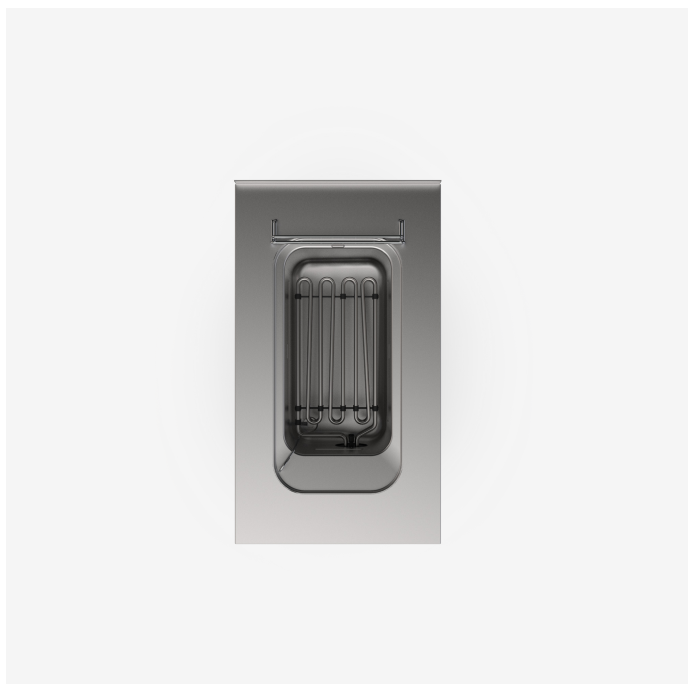


RANGE	CODE	MODEL	FUNCTION
MO - 70	CRI307230	NEF74EIOVG	Fryers

ITEM

Electric fryer with 1 x 10 L tank

DETAILS



RANGE	CODE	MODEL	FUNCTION
MO - 70	CRI307230	NEF74EIOVG	Fryers

ITEM

Electric fryer with 1 x 10 L tank



TECHNICAL SPECIFICATIONS

WIDTH (mm):	400		
DEPTH (mm):	700		
HEIGHT (mm):	870		
WEIGHT (Kg):	48		
VOLUME (m ³):	0.4		
EL. POWER (kW):	9		
VOLTAGE:	380-415 V 3N		
INTERNAL BASE UNIT DIM. (mm):	360x560x340(h)		
TANK DIM. (mm):	1x 220x420x250(h)		
TANK N°:	1	CAPACITY (L):	10
IP GRADE:	IPX4		
TEMP. RANGE (°C):	60-190 °C		

DESCRIPTION

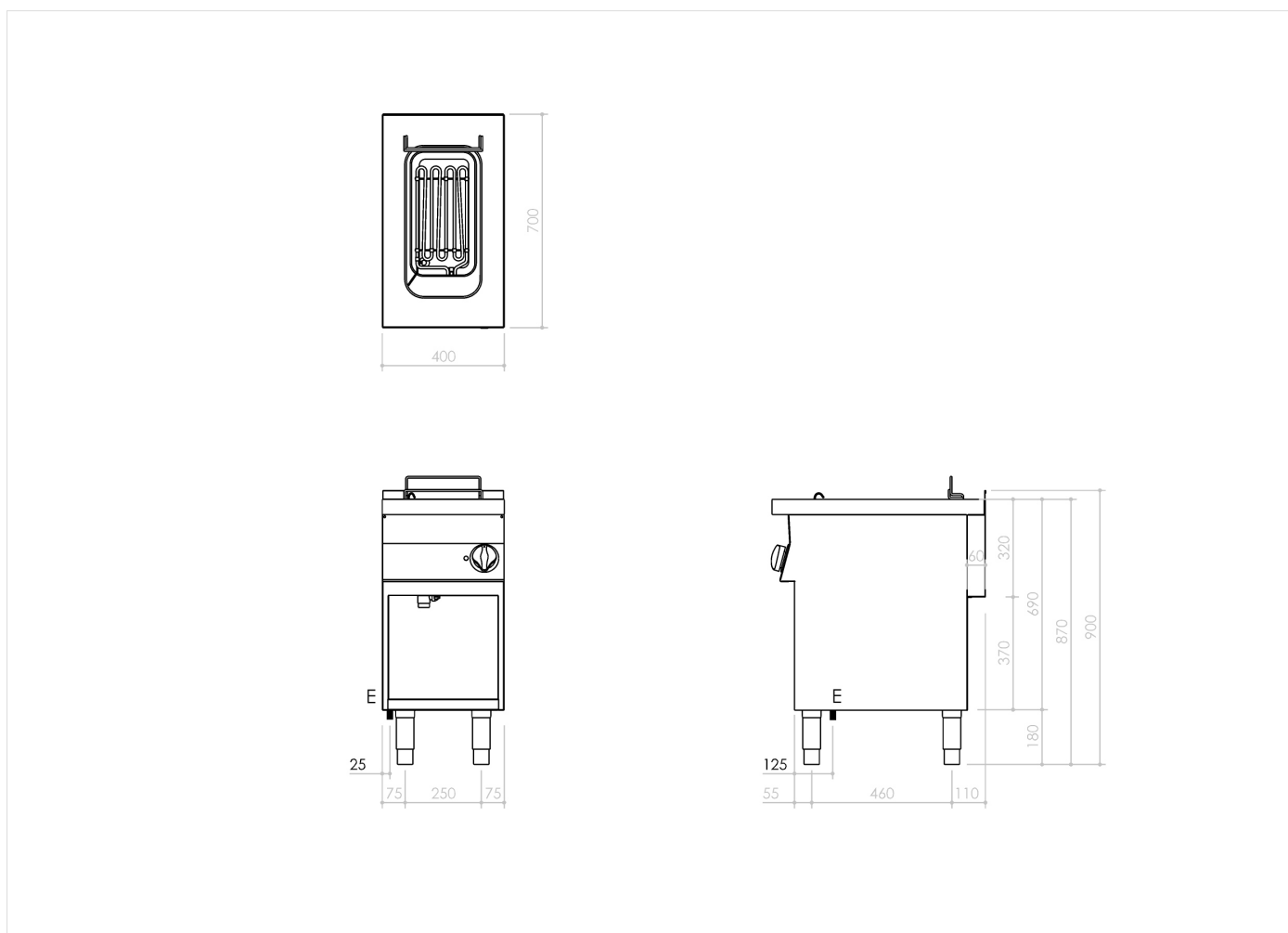
Electric fryer with one tank, made of stainless steel. Heating occurs by means of armoured heating elements that can be rotated in the tank to be easily cleaned. 10-litre tank equipped with a large cold area and an inclined oil expansion area. Thermostat that can be set from 60°C to 190°C, manual-reset safety thermostat. Indicator lamps verify that the appliance functions properly. Removable filter, basket, lid and collector for the drain tap supplied. Height adjustable feet made of stainless steel.



RANGE	CODE	MODEL	FUNCTION
MO - 70	CR1307230	NEF74E10VG	Fryers

ITEM

Electric fryer with 1 x 10 L tank



INSTALLATION SPECIFICATIONS

(E) Electrical Connection: **380-415 V 3N 50-60Hz**

