

**Family**  
COOKING EQUIPMENT STAR 90

**Section**  
GAS DEEP FAT FRYERS

**Model**  
NF98G23

**Code**  
CR0591170

### 23+23 LITRE TWO WELL GAS FRYER.

2 well gas fryer, constructed in AISI 304 stainless steel. 20/10 thick stainless steel top for flush alignment. Deep drawn cooking wells in AISI 304 stainless steel, with radiused internal corners. 23+23 litre well capacity. Wells with wide front expansion zone for oil and foam and extended cold zone for collection of food particles. Heating by means of external stainless steel burners with optimized flame distribution. Heat is adjusted by means of the thermostatic safety valve with thermocouple. Main burner ignition by means of pilot burner. Piezoelectric ignition with waterproof cap on control panel. Temperature of oil in well controlled by mechanical thermostat, with adjustment from 100 to 185 °C. Safety thermostat with manual reset. Removable filter, basket, lid and catchment basin for drain tap supplied. Height adjustable feet in stainless steel. IPX5 protection rating.



#### Technical data

Width mm:	800	Internal dim. oven mm:	
Depth mm:	900	Oven capacity:	
Height mm:	870	Oven power kW:	
Weight kg.:	128.00	Qty heating zones:	21 + 21 kW
Volume m <sup>3</sup> :	1.00	Plate dim. mm:	
Power supply:		Dim. heating zone mm:	
Gas power kW:	42.00	Qty tank:	2
Electric power kW:		Tank dim. mm:	
		Tank capacity l:	23 + 23

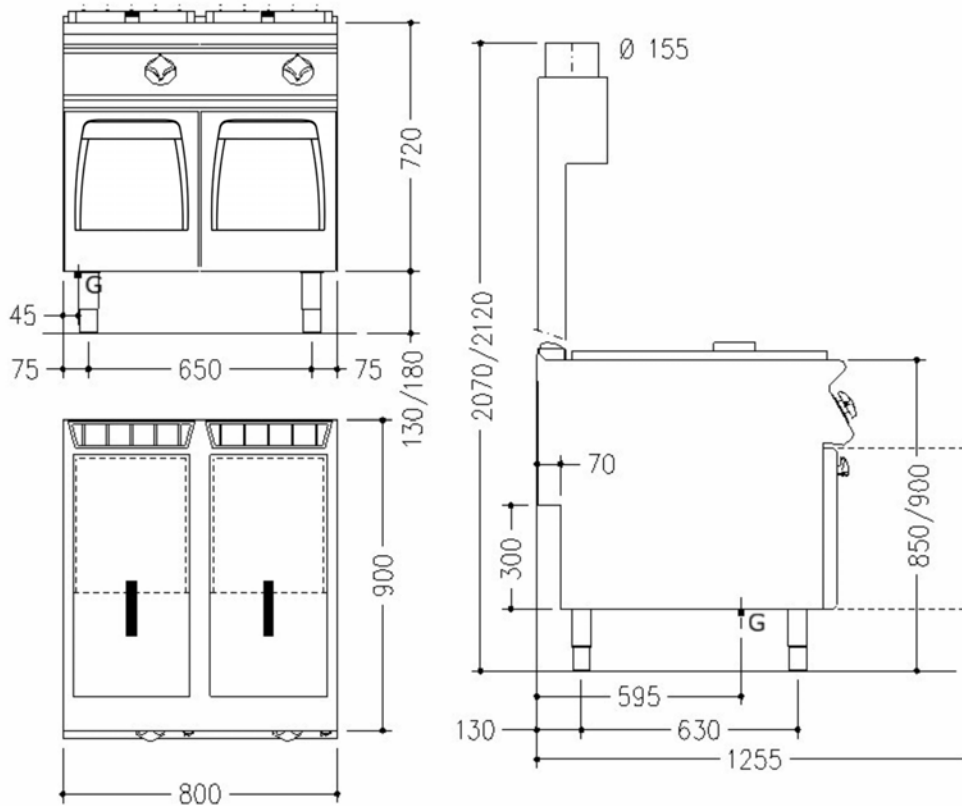
**Family**  
COOKING EQUIPMENT STAR 90

**Section**  
GAS DEEP FAT FRYERS

**Model**  
NF98G23

**Code**  
CR0591170

**23+23 LITRE TWO WELL GAS FRYER.**



### Legend

(E) Socket 1:

(E) Socket 2:

(G) Gas: Ø1/2"- H=200mm

(AD) Softened water:

(AF) Cold water:

(AC) Hot water:

(S) Draining:

(FR) In e out freon:

(V) Steam: